

Wastewater

Pit Plus with ES Series



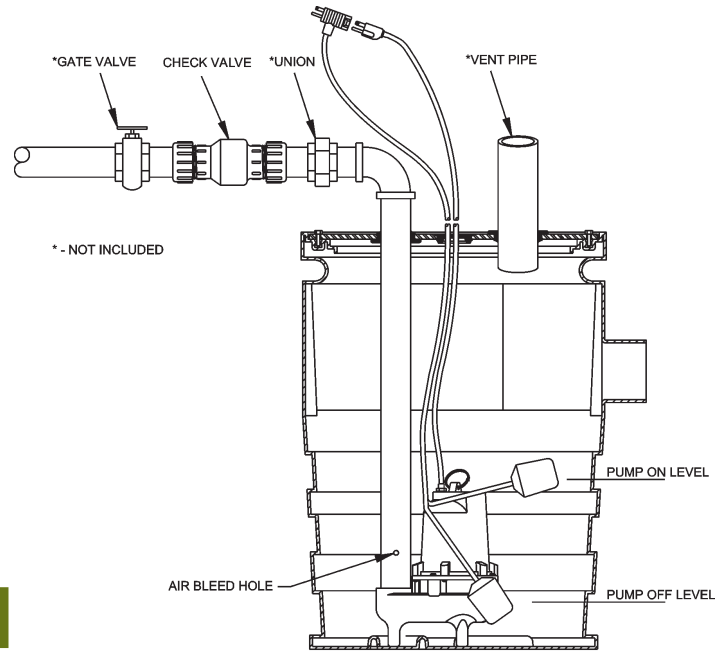
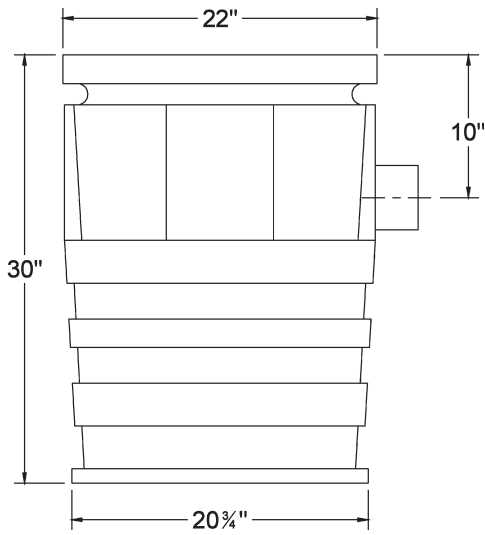
Applications

- Homes
- Residential, Light Commercial, Industrial, and Agricultural
- Collection of sewage, effluent, drainage and seepage water

Features

- Handles liquid and semi-solid waste materials up to 2" spherical diameter
- Larger capacity extends pump life by reducing pump cycles
- 20" x 30" polyethylene basin with ribs for added strength
- 4" molded external inlet hub to accept flexible coupling
- Molded torque stops in bottom of basin to locate pump
- Anti-flotation collar
- Stainless steel cover bolts
- 360° molded handle for ease of transportation and installation
- Schedule 80 PVC discharge nipple with pre-drilled air-bleed hole
- Full flow check valve
- Available with Little Giant's ES50 Series sewage ejector pumps
- Available pre-packaged or pre-assembled
- Durable, corrosion resistant one-piece and two-piece structural foam covers. Available with slip-fit or bolt-on vent and discharge flanges. (Two-piece available with bolt-on flanges only; one-piece steel cover on IAPMO-approved models.)

Dimensional Outline



TYPICAL INSTALLATION

Specifications

Pre-Packaged

Basin No.	Model No.	Switch Type	Discharge Size	Check Valve	Cover Style
511080	ES50D-SMPX-LG	Diaphragm	2"	2" Check	1-piece, bolt-on flanges
511081	ES50W-SMPX-LG	Float	2"	2" Check	1-piece, bolt-on flanges
511084	ES50D-SMPX-LG	Diaphragm	2"	2" Check	2-piece, bolt-on flanges
511085	ES50W-SMPX-LG	Float	2"	2" Check	2-piece, bolt-on flanges

Pre-Assembled

Basin No.	Model No.	Switch Type	Discharge Size	Check Valve	Cover Style
14940155	ES50D-SMPX-LG	Diaphragm	2"	N/A	1-piece, slip-fit flanges
511082	ES50D-SMPX-LG	Diaphragm	2"	2" Check	1-piece, bolt-on flanges
511083	ES50W-SMPX-LG	Float	2"	2" Check	1-piece, bolt-on flanges
511086	ES50D-SMPX-LG	Diaphragm	2"	2" Check	2-piece, bolt-on flanges
511087	ES50W-SMPX-LG	Float	2"	2" Check	2-piece, bolt-on flanges

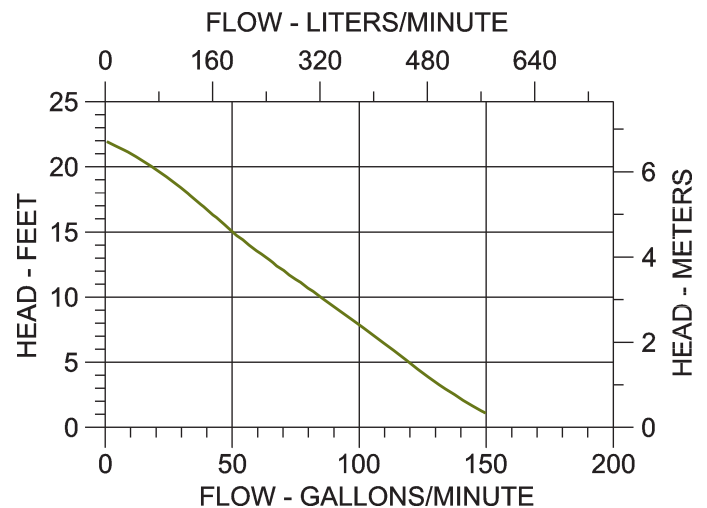
Pre-Assembled (IAPMO)

Basin No.	Model No.	Switch Type	Discharge Size	Check Valve	Cover Style
511088†	ES50D-SMPX-LG	Diaphragm	2"	2" Check	1-piece steel, slip-fit flanges
511089†	ES50W-SMPX-LG	Float	2"	2" Check	1-piece steel, slip-fit flanges

NOTE: All systems are equipped with 2" discharge unless specified otherwise.

† IAPMO approved 

Performance Data



P.O. Box 12010
Oklahoma City, OK 73157-2010
Phone: 1.800.701.7894
Fax: 1.800.678.7867
www.LittleGiantPump.com



©2007 Franklin Electric Co., Inc.
Little Giant® is a registered trademark of Franklin Electric Co., Inc.
Form 14940579 - 12/07