



LITTLE GIANT SEWAGE ACCESSORIES REPLACEMENT PARTS

Franklin Electric Co., Inc.

P. O. Box 12010

Oklahoma City, OK 73157-2010

405.947.2511 • Fax: 405.947.8720

www.LittleGiantPump.com

CustomerService-WTS@fele.com

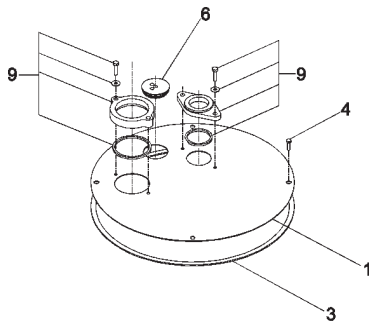
BASIN KITS WITH PUMPS

PART NO.	MODEL NO.	PUMP NO.	BASIN/COVER ASSY. NO.	CHECK VALVE NO.
509027	9S-SMPX-B	509500	113037/113052	940023
509028	9S-SMPX-B	509500	113038/113052	940023
509031	9E-SMPX-B	509300	113035/113042	940021
509032	9S-SMPX-B	509500	113035/113042	940022
509034	9S-SMPX-B	509500	113037/113042	940022
509035	9S-SMPX-B	509500	113038/113042	940022
509036	9S-SMPX-B	509500	113037/113043	940022
509037	9S-SMPX-B	509500	113038/113043	940022
509038	9S-SMPX-B	509500	113037/113053	940023
509039	9S-SMPX-B	509500	113038/113053	940023
511034	10S-SMPX-B	511500	113037/113042	940022
511035	10S-SMPX-B	511500	113038/113042	940022
511038	10S-SMPX-B	511500	113037/113053	940023
511040	10S-SMPX-B	511500	113037/113052	940023
511056	10S-SMPX-B	511450	113037/113052	940023
511057	10S-SMPX-B	511450	113038/113052	940023
511058	10S-SMPX-B	511500	113037/113041	940022
511059	10S-SMPX-B	511500	113038/113041	940022
511060	10S-SMPX-B	511500	113037/113040	940022
511061	10S-SMPX-B	511500	113038/113040	940022
509023	9S-SMPX-B	509500	113037/113040	940022
509024	9S-SMPX-B	509500	113038/113040	940022
509025	9S-SMPX-B	509500	113037/113041	940022
509026	9S-SMPX-B	509500	113038/113041	940022
509033	9S-SMPX-B	509510	113038/113040	NONE

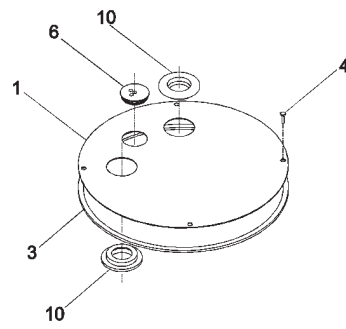
BASIN/COVER ASSEMBLIES

PART NO.	MODEL NO.	BASIN NO.	COVER NO.
513200	BS1830CS2V2D-B	113035 *	113042
513201	BS1830CS2V2D-B	113037	113042
513202	BS1830CS3V2D-B	113037	113043
513223	BS1830CS3V3D-B	113037	113053
513203	BB1830CS2V2D-B	113038	113042
513204	BB1830CS3V2D-B	113038	113043
513220	BB1830CS2V3D-B	113038	113052
513221	BB1830CS3V3D-B	113038	113053

*Hub hole not pre-drilled



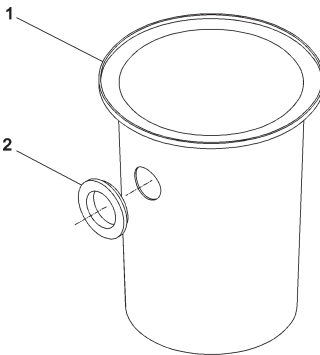
18", 1 PIECE COVERS



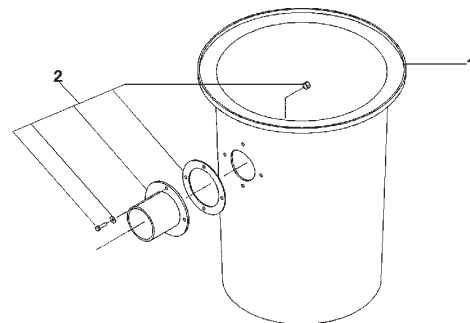
18", 2 PIECE COVER

COVER PARTS

ITEM NO.	PART NO.	DESCRIPTION	113042 18S2V2D	113043 18S3V2D	113052 18S2V3D	113053 18S3V3D	113040 18S3V2D	113041 18S2V2D	113055 18S2V3D
1	113321	Cover, Stationary, 3" Vent		1		1			
1	113346	Cover, Stationary, 2" Vent	1		1				
1	113322	Cover, Stationary, One Piece					1		
1	113320	Cover, Stationary, One Piece				1		1	
1	113332	Cover, Stationary, One Piece							1
2	113326	Cover, Access	1	1	1	1			
3	992119	Tape, Gasket, 1" Foam*	82	82	82	82	65	65	65
4	915508	Bolt, Hex 1/4 - 20 x 1"	6	6	6	6	4	4	4
5	902403	Screw, Tapping #8-18 x 3/8	1	1	1	1			
6	925020	Grommet, Electric Cord, 2 Hole	1	1	1	1	1	1	1
7	925018	Plug, Hole, 2-1/2" Dia. PP	1	1	1	1			
8	925019	Plug, Hole, 3/8" Dia. PP	2	2	2	2			
9	113209	2" Discharge Vent Kit	2	1	1		1		
9	113210	3" Discharge Vent Kit		1	1	2	1		
10	113347	Flange, 2" Pipe, Adaptaflex						2	1
11	113349	Flange, 3" Pipe, Adaptaflex							1



BS MODEL BASINS



BB MODEL BASINS

BASIN PARTS

ITEM NO.	PART NO.	DESCRIPTION	113035 BS1830	113037 BS1830	113038 BB1830
1	113420	Basin, Polyethylene, EDPM Hub, No Hole	1		
1	113421	Basin, Polyethylene, EDPM Hub		1	
1	113422	Basin, Polyethylene, Cast Iron Hub			1
2	113426	Hub Kit, EDPM	1	1	
2	113083	Hub Kit, Cast Iron, 18"			1