

Wastewater

Pit + Plus® Jr. Simplex Package Systems



9S-SMPXC-LG
shown

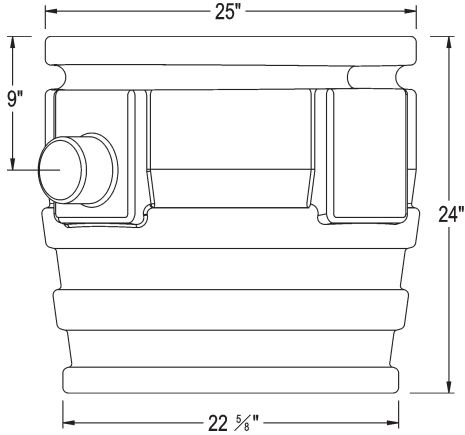
Applications:

- Homes
- Residential, Light Commercial, Industrial and Agricultural
- Collection of sewage, effluent, drainage and seepage water

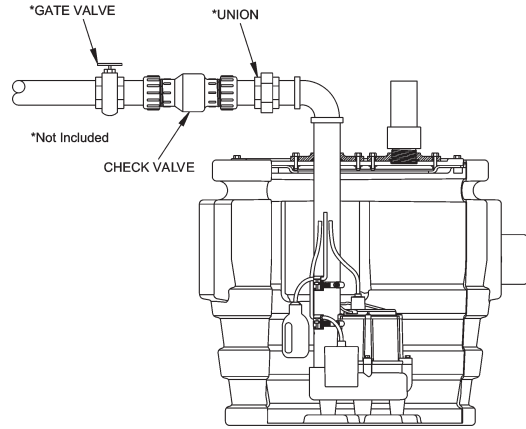
Features

- Handles liquid and solid waste materials up to 2" diameter
- Larger 44 gallon capacity extends pump life by reducing pump cycles
- 24" x 24" polyethylene basin with ribs for added strength
- 4" molded external inlet hub to accept flexible coupling
- Molded torque stops in bottom of basin to locate pump
- Anti-flotation collar
- Stainless steel cover bolts
- 360° molded handle for ease of transportation and installation
- Schedule 80 PVC discharge nipple with pre-drilled air-bleed hole
- Full flow check valve (except on noted models)
- Available with Little Giant's 9S or 10S Series sewage ejector pumps
- Available pre-packaged or pre-assembled
- Durable, corrosion resistant one-piece and two-piece structural foam covers. Available with slip-fit or bolt-on vent and discharge flanges. (Two-piece available with bolt-on flanges only.)
- Available with indoor alarms. (Alarm float preset at factory on pre-assembled units.)

Dimensional Outline



BASIN DETAIL
P/N 113093



Pre-Packaged

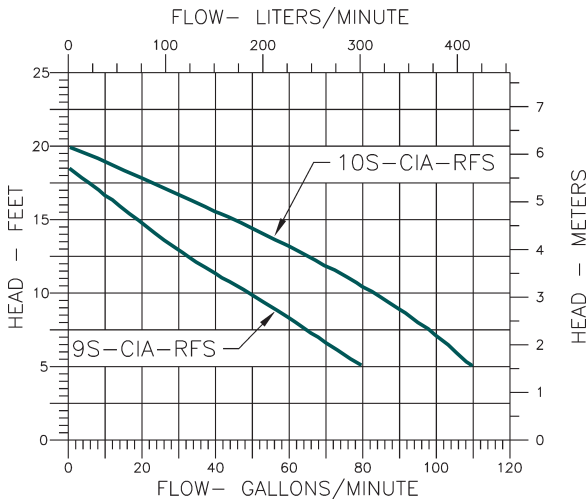
Item Numbers			Model	Discharge Size	Check Valve	Alarm Options
Slip-Fit Flanges	Bolt-On Flanges					
1-Piece	1-Piece	2-Piece				
509631	509632		9S-SMPXC-LG	2"	2" Check	-
		509637	9S-SMPXC-LG	2"	2" Check	-
509652	509654		9S-SMPXC-LG	3"	-	-
		509650	9S-SMPXC-LG	3"	-	-
511631	511632		10S-SMPXC-LG	2"	2" Check	-
		511637	10S-SMPXC-LG	2"	2" Check	-
511652	511654	511650	10S-SMPXC-LG	3"	-	-

Note: Slip-Fit Flanges with 2" discharge have 2" or 3" vent configuration

Pre-Assembled

Item Numbers			Model	Discharge Size	Check Valve	Alarm Options
Slip-Fit Flanges	Bolt-On Flanges					
1-Piece	1-Piece	2-Piece				
509633		509638	9S-SMPXC-LG	2"	2" Check	Indoor High Water Alarm
509639			9S-SMPXC-LG1A	2"	2" Ball/Check	Indoor High Water Alarm
509634	509636		9S-SMPXC-LG1A	2"	2" Check	Indoor High Water Alarm
509653		509651	9S-SMPXC-LG	3"		
	509655		9S-SMPXC-LG	3"		
	509635		9S-SMPXC-LG	2"	2" Check	
511633			10S-SMPXC-LG	2"	2" Check	
511653	511655	511651	10S-SMPXC-LG	3"		
511634	511636		10S-SMPXC-LG1A	2"	2" Check	Indoor High Water Alarm
	511635		10S-SMPXC-LG	2"	2" Check	
	511638		10S-SMPXC-LG	2"	2" Check	

Note: Slip-Fit Flanges with 2" discharge have 2" or 3" vent configuration



9S-CIA-RFS/10S-CIA-RFS
PERFORMANCE CURVE
115V 60Hz

Basin Cover Assemblies (pump not included)

New Item	Model	Cover Detail
513091	BC2424CS-LG BASIN/COVER ASSY	Slip-fit 2V2D, 2V3D or 3V2D
513092	BC2424CS-LG BASIN/COVER ASSY	Bolt-On, 2V2D, 1-Piece



Franklin Electric

P.O. Box 12010
Oklahoma City, OK 73157-2010
Phone: 1.800.701.7894
Fax: 1.800.678.7867
www.LittleGiantPump.com



©2008 Franklin Electric Co., Inc.
Little Giant® is a registered trademark of Franklin Electric Co., Inc.
Form 995100 - 05/08