

# Little GIANT

Franklin Electric Co., Inc.  
P. O. Box 12010  
Oklahoma City, OK 73157-2010  
405.947.2511 • Fax: 405.947.8720  
www.LittleGiantPump.com  
CustomerService-WTS@fele.com

WCR-9SP  
WCR-9SS

## INTRODUCTION

**IMPORTANT: Read all instructions in this instruction sheet before operating. Check all applicable local codes and requirements before installing. Instruction sheet should be retained for future reference.**

Thank you for your purchase of the Little Giant water collection removal basin. This product is designed primarily for use in residential applications to collect surface drainage and divert it away from structures, erosion-poor landscapes, and poor drainage areas. Locating low spots in landscaping which anticipate rainfall is the key to installing this basin. The basin inlet is designed to fit a 4" perforated PVC pipe, and the outlet can be routed to street curbs or other runoff areas. The basin is to be installed so that the cover is flush or above the surface level. The basin cover is not suitable for heavy traffic load.

### PRE-PACKAGED UNIT

Verify all parts with basin and cover assemblies are received intact.

1. Remove bolts and washers on cover and set aside.
2. Remove gasket material from hardware kit, and place material around circumference of basin inside of bolt circle.
3. Place the pump on a flat surface and install the discharge pipe in the discharge of the pump.
4. Install float switch 4" above discharge of pump with a 3-1/2" tether length. Float switch should be installed in a manner that will not allow it to contact the pump or side of basin during operation. Refer to float switch instruction sheet for alternative settings. Place the pump in the basin in the torque indentations (see Figure 2). Press the 2" grommet in the discharge hole in the basin, and install check valve, 90° street elbow, and discharge pipe as shown in Figure 2. Lube the grommet and discharge pipe with dishwashing liquid for easier installation.
5. Install 2" bulkhead fitting, PVC conduit, and elbow as shown in Figure 2. To ensure proper conduit connections, use only adequate primers and solvent cements for PVC pipe. Pump and switch cords are not intended for direct burial, and improper connection will void the warranty. The provided 2" PVC Schedule 40 conduit can be used to bring the power and switch cords safely above ground if the basin is installed near a structure, or it can be used to bring the cord to a depth of at least 18" below surface. All electrical connection should be made in accordance with National Electric Code (NEC), and any state and local requirements.
6. To test, plug the unit in and run water into the basin until the unit switches on. If the unit does not operate, refer to troubleshooting information in the instruction sheet for the pump.
7. Secure the lid to the basin using the bolts and washers provided.
8. A 4" perforated PVC pipe should be used to channel drainage into the basin. The pipe should be cleaned on a regular basis to prevent build-ups and possible clogging.

**NOTE: Little Giant cannot be responsible for damages caused by the faulty or negligent installation of this product. If you feel that you may encounter problems in installing this product, we respectfully suggest you engage the services of a competent plumber, electrician, or qualified service person.**

Figure 1.

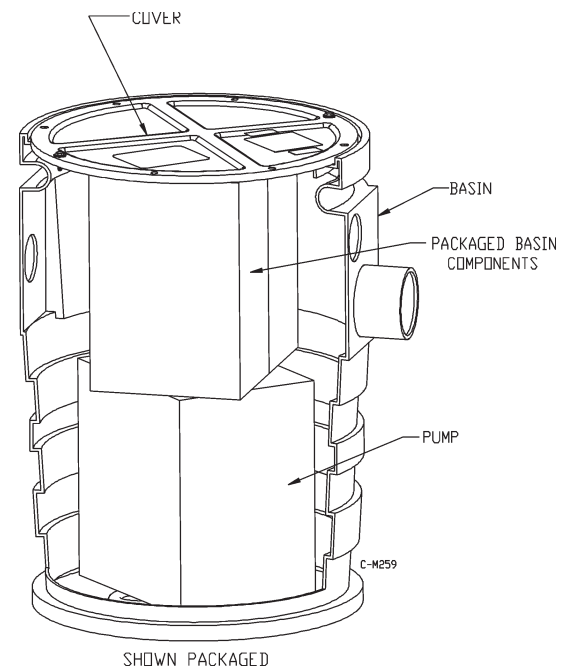
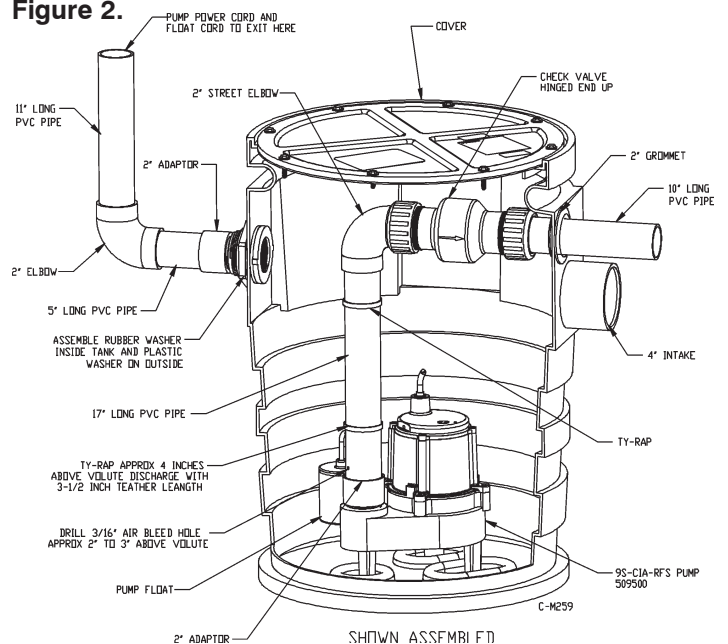


Figure 2.



REPLACEMENT PARTS LIST		
P/N	DESCRIPTION	QTY
113095	BASIN, 20" x 30"	1
509500	PUMP, 9S-CIA-RFS	1
113003	COVER, 12 GAUGE STEEL	1
113002	COVER ASSY, STRUCTURAL FOAM	1
113005	HARDWARE KIT, STEEL COVER	1
113006	HARDWARE KIT, STRUCTURAL FOAM COVER	1
940022	CHECK VALVE, 2"	1
944663	PIPE, 11" CONDUIT, PVC	1
944603	PIPE, 5" CONDUIT, PVC	1
944654	PIPE, 17" DISCHARGE, PVC	1
944653	PIPE, 10" DISCHARGE, PVC	1
943181	ELBOW, 90°, PVC	1
941181	ADAPTER, 2" SLIP, PVC	2
566257	ADAPTER, 2" BULKHEAD	1
943192	ELBOW, 90° STREET	1
925033	2" GROMMET	1

**LIMITED WARRANTY**

Each new little Giant Product is guaranteed to be in perfect condition when it leaves the factory. The basin is warranted against defective materials and workmanship for a period of five years. Please see pump Instruction Sheet for information on pump warranty. During the time periods and subject to the conditions hereinafter set forth, any product(s) that should fail due to materials or workmanship will be replaced or repaired at the option of Little Giant.

For customers in the CONTINENTAL UNITED STATES please contact Little Giant toll-free at 1.800.572.9933 or by fax at 405.947.8720 for return information. All product(s) returned under warranty will be fully inspected to determine the cause of the problem before warranty repair or replacement is approved. Returns shells include a brief description of the problem, how it occurred, and a telephone number for a person to contact if there are questions. If the product(s) are under warranty, a copy of the invoice and date of installation should be included. Without an invoice, the date of manufacture will be used if the unit(s) is under warranty. Before using the user shall determine the suitability of the product for the intended use, and the user assumes all risk and liability whatsoever in connection therewith. Little Giant Company is not responsible for any charges necessitated by the removal and re-installation of any unit(s).

**PRODUCT IMPROVEMENTS:** Little Giant reserves the right to change or improve its products, or any portion thereof, without being obligated to provide such a change or improvement for units already sold or shipped prior to any change or improvement.

NEITHER THE SELLER NOR MANUFACTURER SHALL BE LIABLE FOR ANY INJURY, LOSS OR DAMAGE, WHETHER DIRECT, INCIDENTAL OR CONSEQUENTIAL (INCLUDING, BUT NOT LIMITED TO DAMAGES FOR LOST PROFIT, LOST SALES, INJURY TO PERSON OR PROPERTY OR ANY OTHER ANY OTHER CONSEQUENTIAL LOSS), ARISING OUT OF THE USE OR INABILITY TO USE THE PRODUCT. THE USER AGREES THAT NO REMEDY SHALL BE AVAILABLE OTHER THAN THE STATED HEREIN.

DISCLAIMER: THE FOREGOING WARRANTY IS AN EXCLUSIVE WARRANTY INLIEU OF ANY OTHER EXPRESSED WARRANTIES OR IMPLIED WARRANTIES (INCLUDING BUT NOT LIMITED TO ANY IMPLIED WARRANTY OR MERCHANTABILITY OR FITNESS FOR A PARTICULAR PURPOSE).

Some states do not allow limitations on how long an implied warranty lasts or the exclusion or limitation of incidental or consequential damages; therefore, the above limitations or exclusions may not apply to you. This warranty gives you specific legal rights and you may also have other rights that vary from state to state.

---

For parts or repair, please contact . . . . . 1.888.572.9933  
For technical assistance, please contact . . . . . 1.888.956.0000

[www.LittleGiantPump.com](http://www.LittleGiantPump.com)  
[CustomerService-WTS@fele.com](mailto:CustomerService-WTS@fele.com)

---