

FEATURES & SPECIFICATIONS

INTENDED USE — For general area lighting or task-specific illumination in both new construction and remodeling applications. Especially suited for conference rooms, reception areas, health care institutions, educational facilities and offices. **Certain airborne contaminants can diminish integrity of acrylic.** [Click here for Acrylic Environmental Compatibility table for suitable uses.](#)

CONSTRUCTION — Rugged universal 4' steel channel provides platform for reflector/diffuser module. A tandem unit is an 8' channel with two 4' reflector/diffuser modules. Joiners and finished ends are injection molded from tough ABS/PC blend with integral Avante white color.

All diffusers snap into place by pivoting on joiner/light trap for easy lamp access.

Injection molded joiners at each end allow fixtures to be field joined or completed as individual units with snap-on finished ends.

OPTICS — Down light, solid (DLS) reflector finished in high reflectance matte white polyester powder paint provides uniform light distribution. DLS is available with aluminum stepped reflector (ASR).

Up light, round hole perforated band (ULR) reflector finished in high reflectance matte white polyester powder paint has uniform light distribution with up light accent provided by 1-3/8" wide perforated band just above lamps.

All diffusers shield lamps from direct view.

Metal diffuser staggered round holes (MDR) 52% open perforated metal with .075" diameter holes backed with white acrylic diffuser.

Metal diffuser aligned mini slots (MDM) 46% open perforated metal backed with white acrylic diffuser. Straight blade louver (SBL) sides of perforated metal with staggered round holes and solid blade louvered center. Sides and louver backed with white acrylic diffuser.

ELECTRICAL — All ballasts supplied are class P, thermally protected, resetting, HPF, non-PCB, UL Listed, CSA Certified. Energy saving and electronic ballasts are sound rated A. Standard combinations conform to UL 935.

INSTALLATION — AVSM can be directly mounted to most ceiling surfaces. Clips provided with fixture for surface mounting on tee bar in grid tiled ceilings. With mounting accessories, fixtures can be close to ceiling stem mounted or cable mounted up to 144". Fixture must be supported every 4'. Refer to the accessories tab for information on mounting configurations and limitations. Consult National Electrical Codes specifications for through wiring limitations.

LISTINGS — UL Listed to US and Canadian safety standards (see Options). NYC approved (see Options).

WARRANTY — 1-year limited warranty. Full warranty terms located at www.acuitybrands.com/CustomerResources/Terms_and_conditions.aspx.

Note: Specifications subject to change without notice.

| |
|----------------|
| Catalog Number |
| Notes |
| Type |

Surface/Suspended Mount Lighting

AVSM 1' X 4'

LINEAR FLUORESCENT

T8

1 or 2 Lamp



Specifications

Length: 48 (121.9)

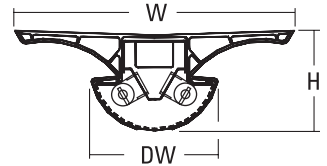
Width: 12 (30.5)

Diffuser width: 5-1/2 (14.0)

Depth: 4-3/8 (11.1)

All dimensions are inches (centimeters) unless otherwise indicated.

Avante is covered by one or more of the following patents: 5,988,829; 399,586; 411,641; 413,402; 2,212,513; 87,513.



ORDERING INFORMATION

Lead times will vary depending on options selected. Consult with your sales representative.

Example: AVSM 2 32 MDR DLS 120 GEB10IS

| Series | | Number of lamps | 32 | Lamp type | Diffuser | Light distribution | Voltage | Options |
|--------|--|--------------------|----|--------------|--|--|--------------------|---|
| AVSM | 1' wide | 1 | 32 | 32W T8 (48") | MDR Metal diffuser, round holes | DLS Down light, solid | 120 | GEB10IS Electronic ballast, ≤10% THD, instant start |
| TAVSM | 1' Wide, 8' long unit with 4' lamps end to end | 2 Not included. | | | SBL Straight blade louver, round holes | ULR Up light, round holes ¹ | 277 | GEB10PS Electronic ballast, ≤10% THD, programmed start |
| | | | | | MDM Metal diffuser, mini slots | | 347 ² | ALG Acrylic litter guard ⁴ |
| | | | | | Others available. | | MVOLT ³ | EL Emergency battery pack (nominal 300 lumens, see Life Safety section) |
| | | | | | | | Others available. | GLR Internal fast-blow fuse ⁵ |
| | | | | | | | | LP__ Lamped. Specify lamp type and color |
| | | | | | | | | CSA Listed and labeled to comply with Canadian Standards |
| | | | | | | | | NY3 New York City approved |
| | | | | | | | | <u>Reflector option</u> |
| | | | | | | | | ASR Aluminum stepped reflector |

| Accessories: Order as separate catalog number. ⁴ | |
|---|--|
| AVACF__ | Avante adjustable cable feed accessory kit for grid ceiling. |
| AVACF__4W | Avante adjustable four-wire cable feed accessory kit for grid ceiling. |
| AVAC__ | Avante adjustable cable non-feed accessory kit for grid ceiling. Fixture must be supported every 4'. |
| SQ__ | Swivel hanger; specify in 2" increments. Fixture must be supported every 4'. |

Notes

- For suspended mounting only.
- Not available with GEB10PS.
- MVOLT (120 - 277 volt).
- Refer to options and accessories tab for more detailed information.
- Not available with MVOLT.

AVSM 1 x 4 Linear Fluorescent T8

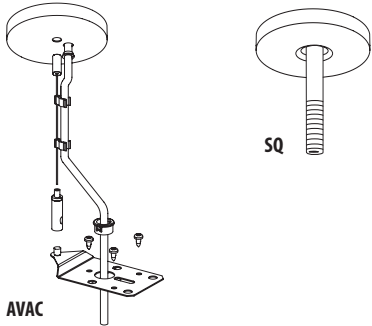
MOUNTING DATA

For unit or row installation, surface or stem mounting.

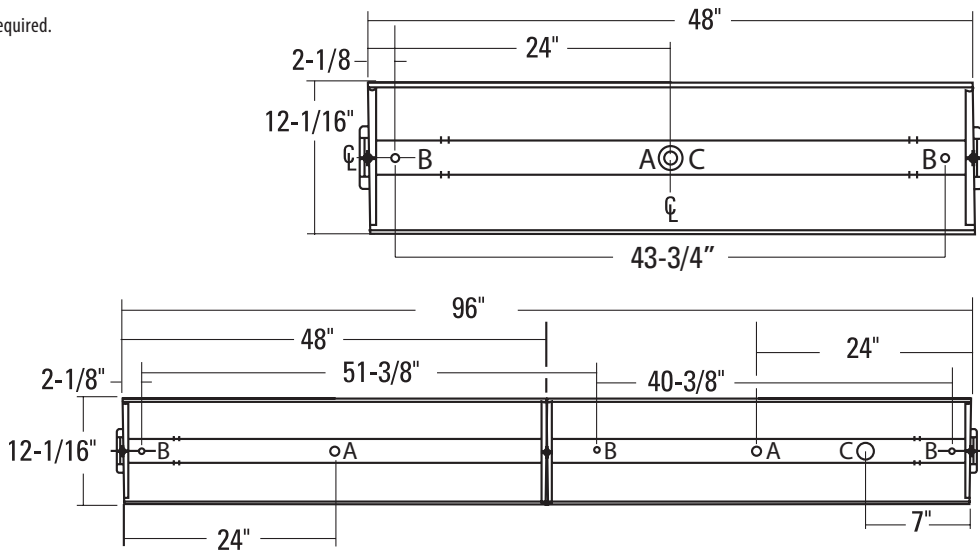
Unit installation — Minimum of two hangers required.

Row installation — One hanger per channel plus one per row required.

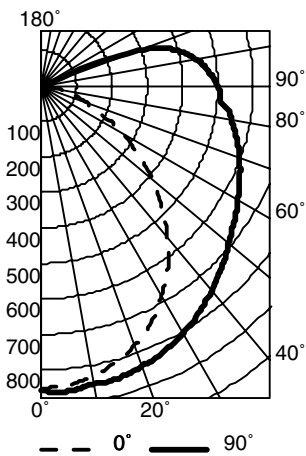
Hanging devices illustrated below.



KEY: A = 5/8" Knockout
 B = 7/8" Knockout
 C = 2" Double Knockout



AVSM 2 32 MDR DLS, (2) 32W T8 lamps, 2850 lumens per lamp, s/m 1.2 (along) 1.4 (across), test no. LTL 9446



| CP Summary | | |
|------------|-----|-----|
| | 0° | 90° |
| 0° | 858 | 858 |
| 5° | 846 | 863 |
| 15° | 807 | 852 |
| 25° | 735 | 823 |
| 35° | 625 | 779 |
| 45° | 486 | 722 |
| 55° | 335 | 667 |
| 65° | 193 | 618 |
| 75° | 92 | 573 |
| 85° | 30 | 510 |
| 90° | 11 | 500 |

Coefficients of Utilization

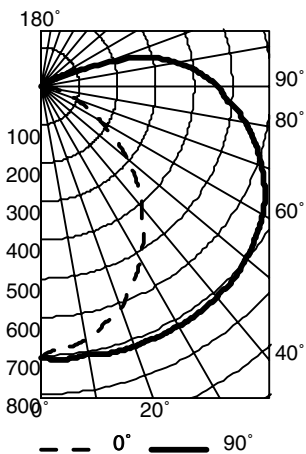
| pc | pw | Coefficients of Utilization | | | | | | | | | |
|----|----|-----------------------------|-----|-----|-----|-----|-----|-----|-----|-----|--|
| | | 80% | | | 70% | | | 50% | | | |
| | | 70% | 50% | 30% | 50% | 30% | 10% | 50% | 30% | 10% | |
| 0 | 0 | 75 | 75 | 75 | 73 | 73 | 73 | 67 | 67 | 67 | |
| 1 | 1 | 66 | 62 | 59 | 60 | 57 | 54 | 55 | 53 | 50 | |
| 2 | 2 | 60 | 53 | 48 | 51 | 46 | 42 | 47 | 43 | 40 | |
| 3 | 3 | 54 | 46 | 40 | 44 | 39 | 34 | 41 | 36 | 33 | |
| 4 | 4 | 49 | 41 | 34 | 39 | 33 | 29 | 36 | 31 | 27 | |
| 5 | 5 | 45 | 36 | 30 | 35 | 29 | 25 | 32 | 27 | 23 | |
| 6 | 6 | 41 | 32 | 26 | 31 | 25 | 21 | 29 | 24 | 20 | |
| 7 | 7 | 38 | 29 | 23 | 28 | 23 | 19 | 26 | 21 | 18 | |
| 8 | 8 | 36 | 27 | 21 | 26 | 20 | 17 | 24 | 19 | 16 | |
| 9 | 9 | 33 | 24 | 19 | 24 | 18 | 15 | 22 | 17 | 14 | |
| 10 | 10 | 31 | 22 | 17 | 22 | 17 | 13 | 20 | 16 | 13 | |

Zonal Lumen Summary

| Zone | Lumens | % Lamp | % Fixture |
|------------|--------|--------|-----------|
| 0° - 30° | 678 | 11.9 | 18.3 |
| 0° - 40° | 1121 | 19.7 | 30.2 |
| 0° - 60° | 2059 | 36.1 | 55.5 |
| 0° - 90° | 3196 | 56.1 | 86.1 |
| 90° - 120° | 516 | 9.0 | 13.9 |
| 90° - 130° | 516 | 9.0 | 13.9 |
| 90° - 150° | 516 | 9.0 | 13.9 |
| 90° - 180° | 516 | 9.0 | 13.9 |
| 0° - 180° | 3711 | 65.1 | 100.0 |

Efficiency: 65.1%

AVSM 2 32 SBL DLS ASR, (2) 32W T8 lamps, 2850 lumens per lamps, s/m 1.1 (along) 1.6 (across), test no. LTL 9576



| CP Summary | | |
|------------|-----|-----|
| | 0° | 90° |
| 0° | 704 | 704 |
| 5° | 686 | 712 |
| 15° | 640 | 717 |
| 25° | 565 | 719 |
| 35° | 469 | 719 |
| 45° | 354 | 710 |
| 55° | 233 | 683 |
| 65° | 131 | 644 |
| 75° | 66 | 579 |
| 85° | 19 | 493 |
| 90° | 3 | 461 |

Coefficients of Utilization

| pc | pw | Coefficients of Utilization | | | | | | | | | |
|----|----|-----------------------------|-----|-----|-----|-----|-----|-----|-----|-----|--|
| | | 80% | | | 70% | | | 50% | | | |
| | | 70% | 50% | 30% | 50% | 30% | 10% | 50% | 30% | 10% | |
| 0 | 0 | 65 | 65 | 65 | 63 | 63 | 63 | 59 | 59 | 59 | |
| 1 | 1 | 57 | 54 | 50 | 52 | 49 | 46 | 48 | 45 | 43 | |
| 2 | 2 | 51 | 46 | 41 | 44 | 40 | 36 | 41 | 37 | 34 | |
| 3 | 3 | 46 | 39 | 34 | 38 | 33 | 29 | 35 | 31 | 28 | |
| 4 | 4 | 42 | 35 | 29 | 33 | 28 | 24 | 31 | 27 | 23 | |
| 5 | 5 | 39 | 31 | 25 | 30 | 24 | 21 | 28 | 23 | 20 | |
| 6 | 6 | 35 | 27 | 22 | 26 | 21 | 18 | 25 | 20 | 17 | |
| 7 | 7 | 33 | 25 | 19 | 24 | 19 | 15 | 22 | 18 | 15 | |
| 8 | 8 | 30 | 22 | 17 | 22 | 17 | 14 | 20 | 16 | 13 | |
| 9 | 9 | 28 | 21 | 16 | 20 | 15 | 12 | 19 | 15 | 12 | |
| 10 | 10 | 27 | 19 | 14 | 18 | 14 | 11 | 17 | 13 | 11 | |

| Zonal Lumen Summary | | | |
|---------------------|--------|--------|-----------|
| Zone | Lumens | % Lamp | % Fixture |
| 0° - 30° | 554 | 9.7 | 17.3 |
| 0° - 40° | 924 | 16.2 | 28.8 |
| 0° - 60° | 1748 | 30.7 | 54.5 |
| 0° - 90° | 2809 | 49.3 | 87.6 |
| 90° - 120° | 395 | 6.9 | 12.3 |
| 90° - 130° | 397 | 7.0 | 12.4 |
| 90° - 150° | 397 | 7.0 | 12.4 |
| 90° - 180° | 397 | 7.0 | 12.4 |
| 0° - 180° | 3206 | 56.2 | 100.0 |

Efficiency: 56.2%