



Catalog Number	
Notes	Type

Indoor Decorative

Traditional Wraparound

T8 Fluorescent



FEATURES & SPECIFICATIONS

INTENDED USE

For applications that require the clean appearance of a low-profile wraparound. Provides broad distribution of light for residential and light commercial applications.

ATTRIBUTES

Curved prismatic diffuser with linear side prisms minimize lamp image and provides high angle brightness control. Luminous end plates soften appearance for improved aesthetics.

Metal parts are die formed from code-gauge steel. Prismatic diffuser is 100% acrylic with sonically welded luminous ends. Continuous side flanges on fixture body provide light trap and continuous diffuser support to prevent accidental opening and simplify maintenance.

Requires (2) or (4) T8 straight tube fluorescent lamps (not included).

Standard with 120 volt, 60Hz electronic ballast ensures on flickering and quiet operation without interfering with other electronics.

Use with non-dimmable switches only.

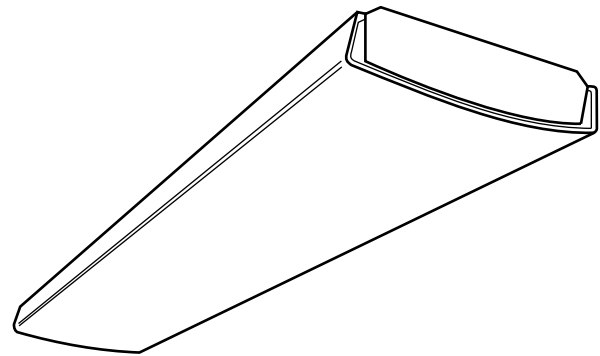
All mounting hardware included.

LISTING

CUL listed to US and Canadian safety standards and suitable for damp locations. ENERGY STAR® qualified.

WARRANTY

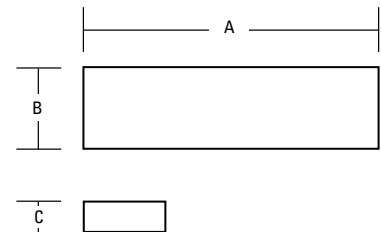
Guaranteed for two years against mechanical defects in manufacture. (excludes lamps)



DIMENSIONS

All dimensions are in inches (centimeters).

Nominal Size	Model No.	Number of Lamps	(A) Length Inches (cm)	(B) Width Inches (cm)	(6) Height* Inches (cm)
1' x 2'	LB 2 17 120 RE	(2) 17W T8	24" (60.9)	10" (25.4)	3" (7.6)
1' x 4'	LB 2 32 120 RE	(2) 32W T8	48" (121.9)	10" (25.4)	3" (7.6)
1-1/2' x 2'	LB 4 17 120 1/4 RE	(4) 17W T8	24" (60.9)	15-3/8" (39)	3" (7.6)
1-1/2' x 4'	LB 4 32 120 1/4 RE	(4) 32W T8	48" (121.9)	15-3/8" (39)	3" (7.6)



ORDERING INFORMATION

Example: **LB 2 32 120 RE**

Choose the boldface catalog nomenclature that best suits your needs and write it on the appropriate line. Order accessories as separate catalog numbers.

LB					
Model Number	Lamps	Wattage	Ballast/Voltage	Options	
LB Traditional Wrap	2 4 (not included)	17 17W 32 32W	120 RE 120 volt residential electronic ballast for 2 lamp fixtures 120 1/4 RE 120 volt residential electronic ballast for 4 lamp fixtures	(Consult factory)	
Other voltage and ballast types (Consult factory)					

PHOTOMETRICS

Full photometric data report available within 2 weeks from request. Consult factory.