



REBL LED High Bay

Performance Simplified.



REBL LED High Bay

A Breadth of Options!

REBL is designed to meet your unique lighting needs with an array of customizable features.

Available in four distinct sizes, this fixture adapts seamlessly to many spaces. With adjustable lumen outputs ranging from 12,000L to an impressive 55,000L, you have the flexibility to achieve the perfect brightness for most applications. Plus, the switchable color temperature options- 3500K, 4000K, and 5000K- allows REBL to adapt to your needs.

REBL

REBL features patent pending micro-prism optics that deliver uniform and comfortable illumination across your entire space.

Packaged in a sleek, yet rugged diecast housing, the REBL's unique design redefines the round high bay by combining aesthetics, optical control, and UGR performance without wasting energy.

REBL is Performance Simplified

Diverse Range of Applications:

Food Packaging

Gymnasiums

*Open Warehouse &
Assembly Areas*

Warehouses



Switchable Lumen and Color Options

Catalog Number	Lumens	CCT
ALO13	12,000L / 15,000L / 18,000L	3500K / 4000K / 5000K
ALO16	24,000L / 27,000L / 30,000L	3500K / 4000K / 5000K
ALO27	30,000L / 35,000L / 40,000L	4000K / 5000K
ALO28	35,000L / 45,000L / 55,000L	4000K / 5000K



ALO28



ALO27



ALO16



ALO13

REBL is a One Fixture Solution

Eliminate the guess work of selecting the right fixture, REBL reduces SKU's remarkably by offering a one fixture solution.

- Adjustable Lumens 12,000-55,000
- Switchable CCTs 3500K / 4000K / 5000K
- NSF
- IP66 Rated
- NEMA4X
- IK10 Impact Rated Polycarbonate Lens
- High Optical Control
- Uniform Lighting
- Patent Pending Micro-Prism Optics
- Flip Hook
- ¾" Pendant Mount
- Wet Location



Certifications



IK10

Avoids breaking from most impacts in sporting facilities



IP66

Wet and dusty locations like gymnasiums or manufacturing

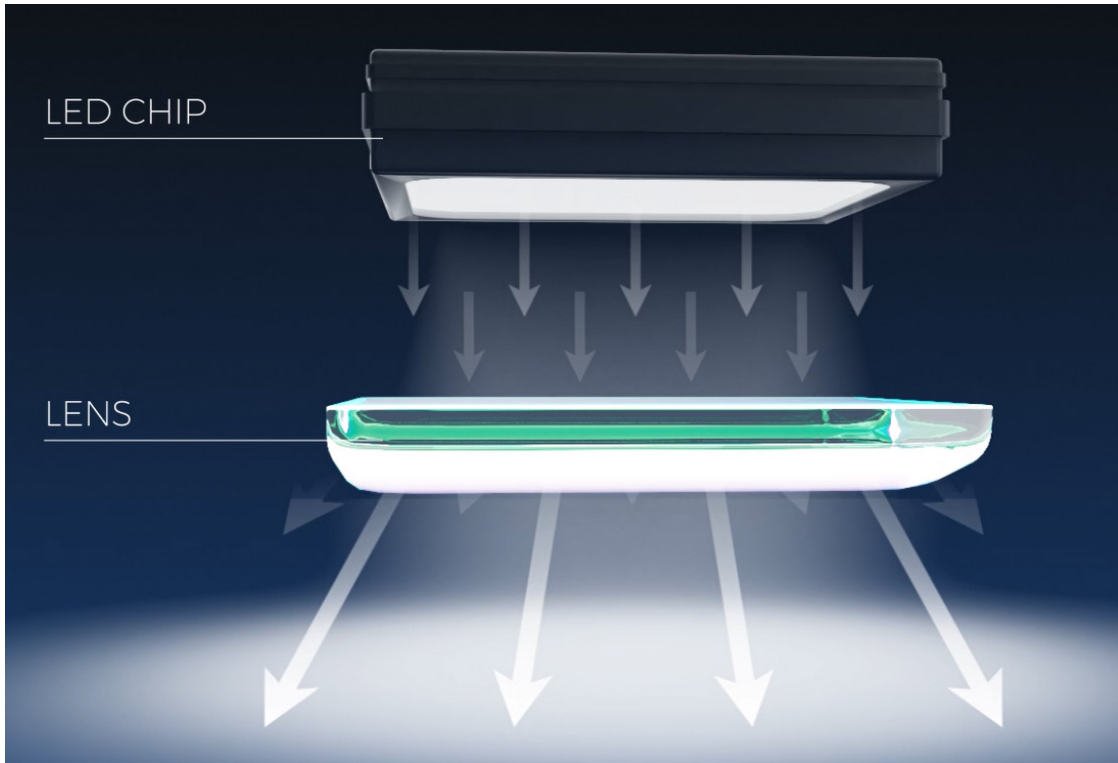


NEMA 4X

Protection from ice buildup and some corrosion

Precision Optics

Patent Pending Micro-Prism Lens



With precision design optics, REBL delivers 360° light control, creating a uniform and comfortable illumination across the entire space, ultimately delivering the best-in-class light control with ultra-low UGR. Comes in medium distribution standard, with narrow and wide distribution optional

Great Design Equals Great Performance

Experience lighting performance like never before with REBL, designed to deliver comfortable and uniform illumination from every angle. With ultra-low UGR and multiple distributions, REBL ensures a comfortable visual environment, ideal for any application.

Whether you're upgrading existing fixtures or embarking on new construction installs, our design makes selection a breeze, offering optimal solutions for both scenarios.

Plus, with an IK10 impact rating, you can trust that this fixture stands up to the rigors of industrial spaces, eliminating the need for additional wire guards.



Installation Made Easy

REBL features a patented flip hook with 3/4" hub for pendant mount, eliminating the need for extra mounting accessories

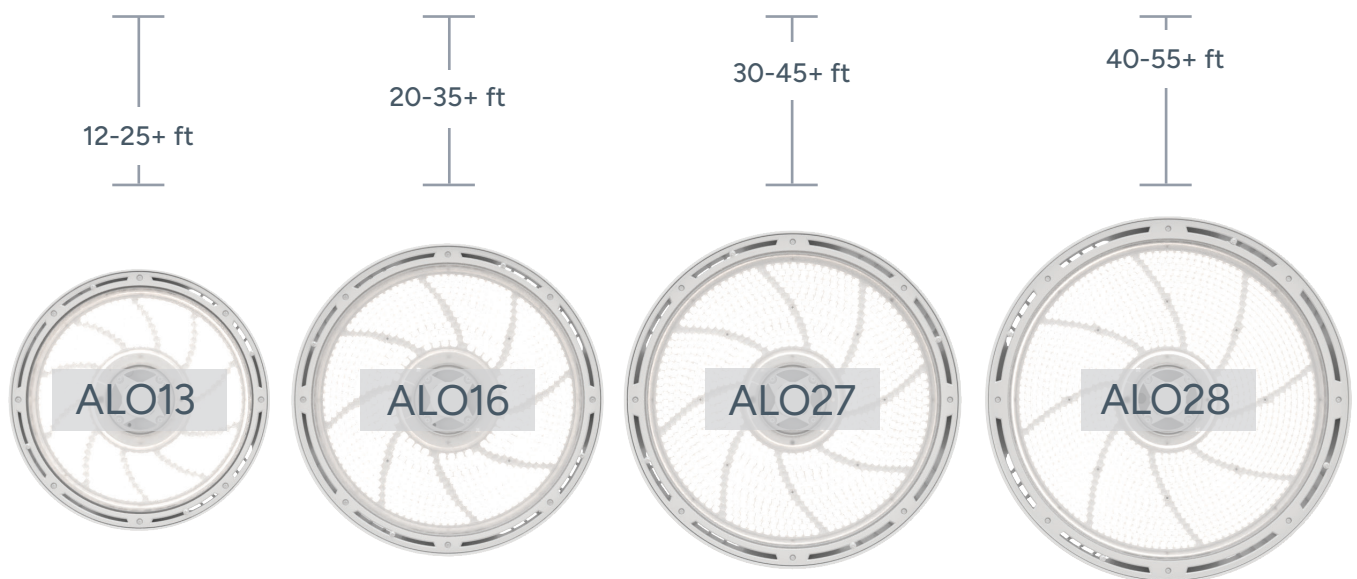


Additional Mounting Options

In addition to the patented flip hook, there are four other ways to mount REBL, making installation easy no matter the application



Typical Mounting Heights



Choose with certainty the right fixture size for you with our typical mounting height guide.

COMING SOON

sensorswitch®

Field Installable or Configurable Sensor Options

Increased Energy Savings

- REBL LED High Bay is 70% more efficient than HID technology. More utility rebates and energy savings made easy.
- TLS, Twist-to-Lock Sensor by SensorSwitch™ is available in the REBL fixture as a field installable option and ensures consistent coverage in large spaces.
- The Infrared Wireless Programmer allows you to customize settings from the floor, removing the need for a lift.
- The TLS Sensor is also available as an embedded option within the fixture.





To learn more about REBL LED High Bay
visit lithonia.acuitybrands.com/rebl-high-bay-lights



Join the conversation - follow us on social media.