

**READ AND FOLLOW ALL SAFETY INSTRUCTIONS!
SAVE THESE INSTRUCTIONS AND DELIVER TO OWNER AFTER INSTALLATION**

- To reduce the risk of death, personal injury or property damage from fire, electric shock, falling parts, cuts/abrasions, and other hazards please read all warnings and instructions included with and on the fixture box and all fixture labels.
- Before installing, servicing, or performing routine maintenance upon this equipment, follow these general precautions.
- Installation and service of luminaires should be performed by a **qualified licensed electrician**.
- Maintenance of the luminaires should be performed by person(s) familiar with the luminaires' construction and operation and any hazards involved. Regular fixture maintenance programs are recommended.
- It will occasionally be necessary to clean the outside of the refractor/lens. Frequency of cleaning will depend on ambient dirt level and minimum light output which is acceptable to user. Refractor/lens should be washed in a solution of warm water and any mild, non-abrasive household detergent, rinsed with clean water and wiped dry. Should optical assembly become dirty on the inside, wipe refractor/lens and clean in above manner, replacing damaged gaskets as necessary.
- **DO NOT INSTALL DAMAGED PRODUCT!** This luminaire has been properly packed so that no parts should have been damaged during transit. Inspect to confirm. Any part damaged or broken during or after assembly should be replaced.
- Recycle: For information on how to recycle LED electronic products, please visit www.epa.gov.
- These instructions do not purport to cover all details or variations in equipment nor to provide every possible contingency to meet in connection with installation, operation, or maintenance. Should further information be desired or should particular problems arise which are not covered sufficiently for the purchaser's or owner's purposes, this matter should be referred to Acuity Brands Lighting, Inc.



**WARNING
RISK OF ELECTRIC SHOCK**

- ✓ Disconnect or turn off power before installation or servicing.
- ✓ Verify that supply voltage is correct by comparing it with the luminaire label information.
- ✓ Make all electrical and grounded connections in accordance with the National Electrical Code (NEC) and any applicable local code requirements.
- ✓ All wiring connections should be capped with UL approved recognized wire connectors.



**WARNING
RISK OF BURN**

- ✓ Allow lamp/fixture to cool before handling. Do not touch enclosure or light source.
- ✓ Do not exceed maximum wattage marked on luminaire label.
- ✓ Follow all manufacturer's warnings, recommendations and restrictions for: driver type, burning position, mounting locations/methods, replacement and recycling.



**CAUTION
RISK OF INJURY**

- ✓ Wear gloves and safety glasses at all times when removing luminaire from carton, installing, servicing or performing maintenance.
- ✓ Avoid direct eye exposure to the light source while it is on.



**CAUTION
RISK OF FIRE**

- ✓ Keep combustible and other materials that can burn, away from lamp/lens.
- ✓ Do not operate in close proximity to persons, combustible materials or substances affected by heat or drying.



CAUTION: RISK OF PRODUCT DAMAGE

- ✓ Never connect components under load.
- ✓ Do not mount or support these fixtures in a manner that can cut the outer jacket or damage wire insulation.
- ✓ Controls for dimming, auto-sensing, or remote control of a luminaire that are not factory-wired to the luminaire must be checked for compatibility with the luminaire prior to installation. LED fixtures must be powered directly off a switched circuit.
- ✓ Unless individual product specifications deem otherwise: Do not restrict fixture ventilation. Allow for some volume of airspace around fixture. Avoid covering LED fixtures with insulation, foam, or other material that will prevent convection or conduction cooling.
- ✓ Unless individual product specifications deem otherwise: Do not exceed fixtures maximum ambient temperature.
- ✓ Only use fixture in its intended location.
- ✓ LED products are Polarity Sensitive. Ensure proper Polarity before installation.
- ✓ Electrostatic Discharge (ESD): ESD can damage LED fixtures. Personal grounding equipment must be worn during all installation or servicing of the unit.
- ✓ Do not touch individual electrical components as this can cause ESD, shorten lamp life, or alter performance.
- ✓ Some components inside the fixture may not be serviceable. In the unlikely event your unit may require service, stop using the unit immediately and contact an ABL representative for assistance.
- ✓ Always read the fixtures complete installation instructions prior to installation for any additional fixture specific warnings.
- ✓ Always ensure that the electrical distribution system is up to NEC (and any applicable local code) requirements.
- ✓ Verify that power distribution system has proper grounding. Lack of proper earth ground can lead to fixture failure and may void warranty.

Choose either Part 15 OR Part 18 and move to Page 3 Installation Instructions under Delivery. Lithonia Outdoor will always use Part 15. All luminaires that contain electronic devices that generate frequencies above 9kHz from any component within the luminaire comply with Part 15 of the FCC Rules. Operation is subject to the following two conditions:

- (1) This device may not cause harmful interference
- (2) This device must accept any interference received, including interference that may cause undesired operation

This device complies with Part 18 of the FCC Rules but may cause interference with cordless and cell phones, radios, televisions, and other electronic devices. To correct the problem, move the device away from the luminaire or plug into a different outlet. This product may cause interference to radio equipment and should not be installed near maritime safety communications equipment or other critical navigation or communications equipment operating between 0.45-30MHz.

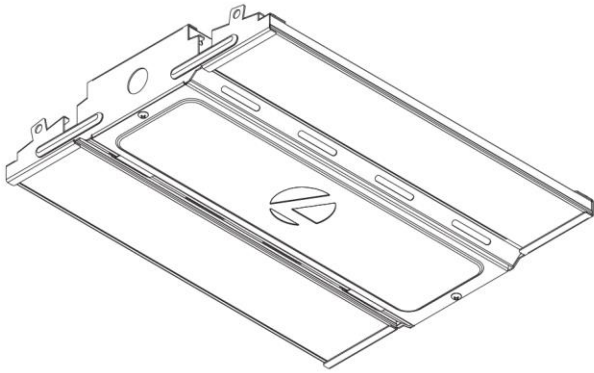
Failure to follow any of these instructions could void product warranties. For a complete listing of product Terms and Conditions, please visit www.acuitybrands.com.

| | | | | | |
|-------------------|--|---|--|---|--------------------------|
| Our Brands | Indoor/Outdoor Lithonia Lighting Carandini Holophane RELOC Light Concepts | Indoor Lighting Gotham Mark Architectural Lighting Peerless Renaissance Lighting Winona Lighting | Outdoor Lighting American Electric Lighting Antique Street Lamps Hydrel Tersen | Controls DARK TO LIGHT LC&D ROAM Sensor Switch Synergy | Daylighting SunOptics |
|-------------------|--|---|--|---|--------------------------|

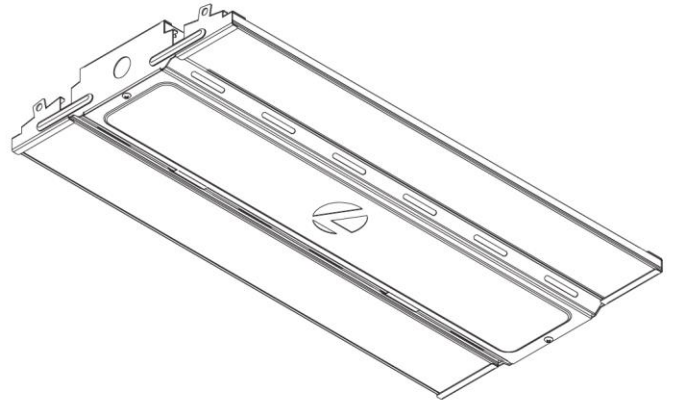
Acuity Brands Lighting, Inc. assumes no responsibility for claims arising out of improper or careless installation or handling of its products.

ABL LED General Warnings, Form No. 503.203

© 2010, 2016 Acuity Brands Lighting, Inc. All rights reserved. 12/01/10



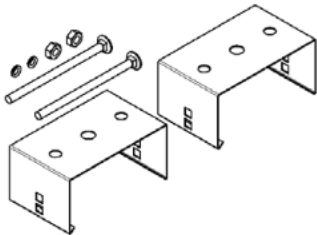
*Model Number
CPHB 12LM
CPHB 15LM
CPHB 18LM



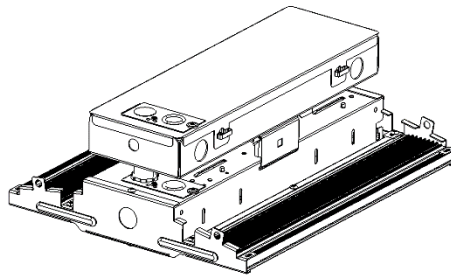
*Model Number
CPHB 24LM
CPHB 30LM



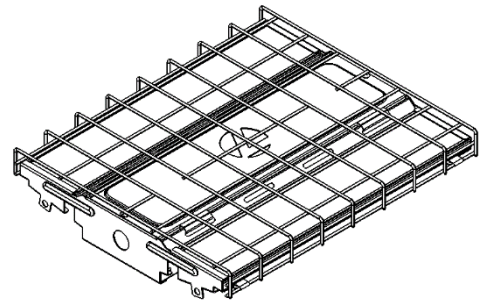
Optional Accessory



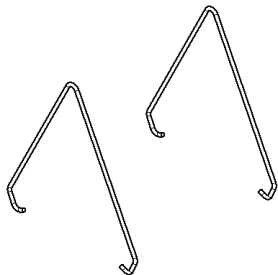
Surface Mount Bracket (THUN)



Backpack (BPK)



Wireguard (WGX)

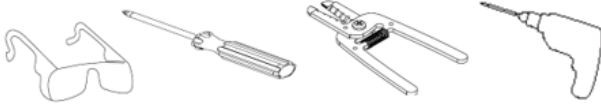


V-Hanger

Protect yourself. Before installing, read these instructions carefully and save them for future reference.

Date Installed: _____

REQUIRED TOOLS



FIXTURE PACKING LIST

| Description | Quantity |
|----------------------------|----------|
| 1) Fixture Housing | 1 |
| 2) V-Hanger*..... | 2 |
| 3) Chain*..... | 2 |
| 4) Access Plate..... | 1 |
| 5) Access Plate Screw..... | 1 |
| 6) Wire Nuts*..... | 5 |

*Contained in Part Packs
**Mounting Hardware
Included**

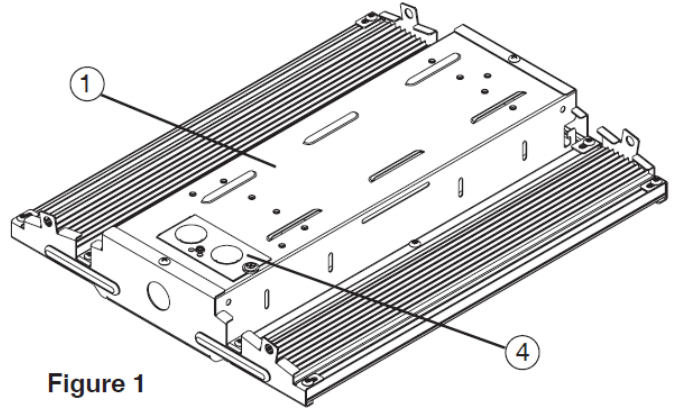


Figure 1

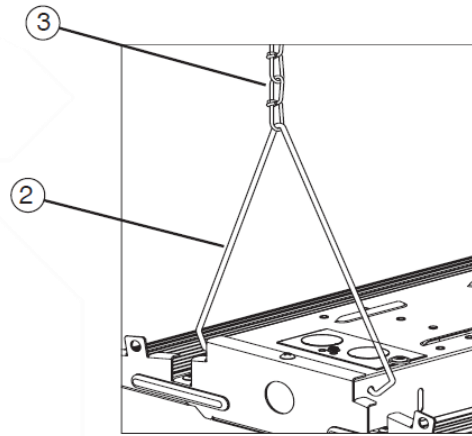


Figure 2

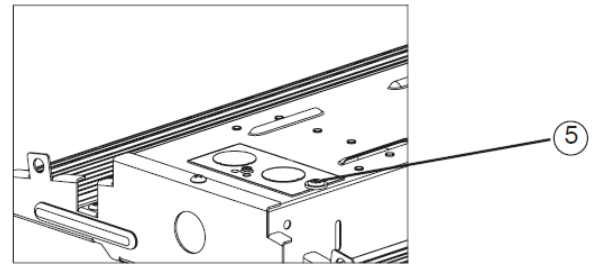
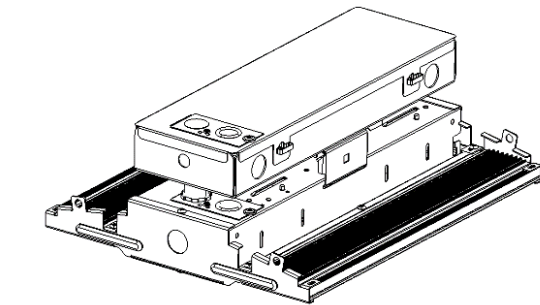
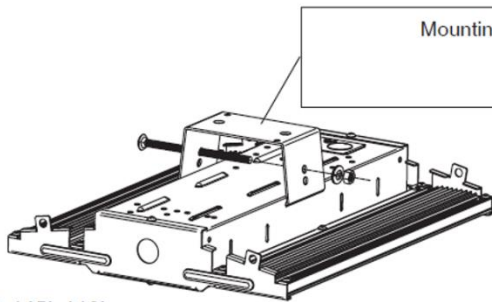


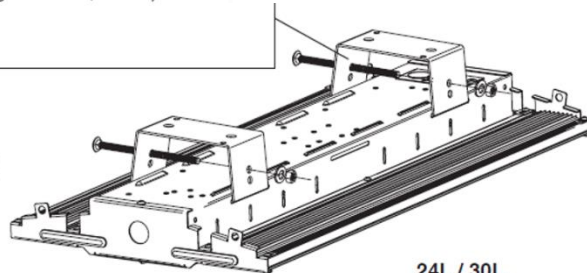
Figure 3



Mounting Bracket (THUN)



12L / 15L / 18L



24L / 30L

Figure 4

STEP-BY-STEP GUIDE**PREPARING THE FIXTURE FOR INSTALLATION**

1. Remove the parts pack and place it in a convenient location during installation. Check that all parts are included.
2. Inspect the existing mounting location for damage before installing the new CPHB LED high bay in this location. Ensure mounting structure is properly sized to support the weight of the fixture.
3. Remove the fixture from packaging and inspect for any damages. Handle fixture with care.
4. After installation ensure no wires are pinched or caught outside the fixture housing.

INSTALLATION OF FIXTURE

- This fixture is designed to be Suspended using supplied V-Hangers and Chain or Surface mount installation with optional Surface Mount Bracket (THUN)- sold separately. Fixture may also be suspended using aircraft cable (sold separately).
- **Provide suitable hardware that is both in accordance with local codes and is capable of supporting the full weight of the fixture.**

WARNING: Before wiring fixture to the power supply, turn off electricity at fuse or circuit breaker box.

Suspended Installation- (Standard Mounting Method)

1. Locate provided Chains and V-Hangers. Attach Chain to each V-Hanger by feeding hanger through chain link.
2. Attach the V-Hanger to fixture by hooking the hanger through holes on the Fixture Housing- **See Fig 2.**
3. Secure the other end of the chain to structure using hardware rated for the load.

Make sure the wiring hangers are fully engaged into the side holes on the fixture housing. If using "S" hooks, make sure all loops are crimped closed if possible. Make sure wire hanger fits snugly into holes of fixture housing.

Supply Wire connections- Make all supply wire connections in accordance with local electrical codes.

- 1) Remove access plate screw- **see Fig 3** and remove access plate from Fixture Housing (Input wires from Driver will be attached to the access plate).
- 2) Remove the necessary knockout(s) from Access Plate.
- 3) Secure incoming power supply to access plate with UL Listed connector. Use only UL listed supply wire (90°C or greater).
- 4) Make wire connections by connecting bare copper or green supply wire to green fixture wire. Connect black supply wire to black fixture wire and white supply wire to white fixture wire with UL Listed wire nuts (rated 90°C or greater). Purple and gray leads are 0-10V (low voltage) dimming leads and each wire shall be capped when not being used.
- 5) Reinstall Access plate and secure with access plate screw.

Surface Mount Installation- (Requires Surface Mount Bracket (THUN) - sold separately

1. Attach THUN Surface Mount bracket(s) to structure using hardware rated for the load.
2. Support fixture while snapping Fixture Housing into THUN bracket(s). Ensure fixture is balanced.
3. Install supplied nut and lock-washer. Properly tighten nut to secure THUN bracket around center channel- **See Fig 4.**

Supply Wire connections- Make all supply wire connections in accordance with local electrical codes.

4. Remove access plate screw- **see Fig 3** and remove access plate from Fixture Housing (Input wires from Driver will be attached to the access plate).
5. Remove the necessary knockout(s) from Access Plate.
6. Secure incoming power supply to access plate with UL Listed connector. Use only UL listed supply wire (90°C or greater).
7. Make wire connections by connecting bare copper or green supply wire to green fixture wire. Connect black supply wire to black fixture wire and white supply wire to white fixture wire with UL Listed wire nuts (rated 90°C or greater). Purple and gray leads are 0-10V (low voltage) dimming leads and each wire shall be capped when not being used.
8. Reinstall Access plate and secure with access plate screw.

IMP Connector

1. Install fixture based on specified mounting instructions.
2. A 5/8" knock out is located on the IMP access plate. If dimming is required remove access plate and knock out knockout. Pull dimming wires through access plate and connect to dimming circuit. Reattached access plate to fixture.
3. Snap supply power with IMP male connector (not supplied) into luminaire female IMP connector.

Emergency (PS1055CP/PS1555MCP/ILB-CP20_HE)

1. Install fixture based on specified mounting instructions.
2. If using PS1055CP or PS1555MCP the wiring can be accessed inside the backpack. If using the ILB-CP20_HE the wiring can be accessed thru the access plate.
3. Connect switched power to fixture wires labeled switched. Connect un-switched power to white, black, and green wires. Supply wire must meet applicable electrical codes and be rated for a minimum of 90°C. Purple and gray leads are 0-10V (low voltage) dimming leads.
4. If using the ILB-CP20, remove the access plate. Connect the unit connector to battery **AFTER** installation is complete.
5. Press the indicator light for testing.

External Occupancy Sensor

1. External Occupancy sensor will be pre-wired to the fixture.
2. Remove the black wire protection bushing from the hole on the fixture end. This is used to protect sensor wiring from being cut during transit.
3. Install external occupancy sensor to fixture by snapping into end cap as shown in Figure 7 below.
4. Rotate/Align the sensor head such that the sensor lens is parallel to the floor.
5. Install fixture based on specified mounting instructions.

TROUBLE SHOOTING GUIDE

If this fixture fails to operate properly, use the guide below to diagnose and correct the problem.

- Verify that fixture is wired properly.
- Verify that fixture is grounded correctly.
- The line voltage at the fixture is correct.

If further assistance is required, contact:

Technical Support: (800) 705-SERV (7378)
techsupport-industrial@acuitybrands.com

Limited Warranty and Limitation of Liability

5-year limited warranty. Complete warranty terms located at:
www.acuitybrands.com

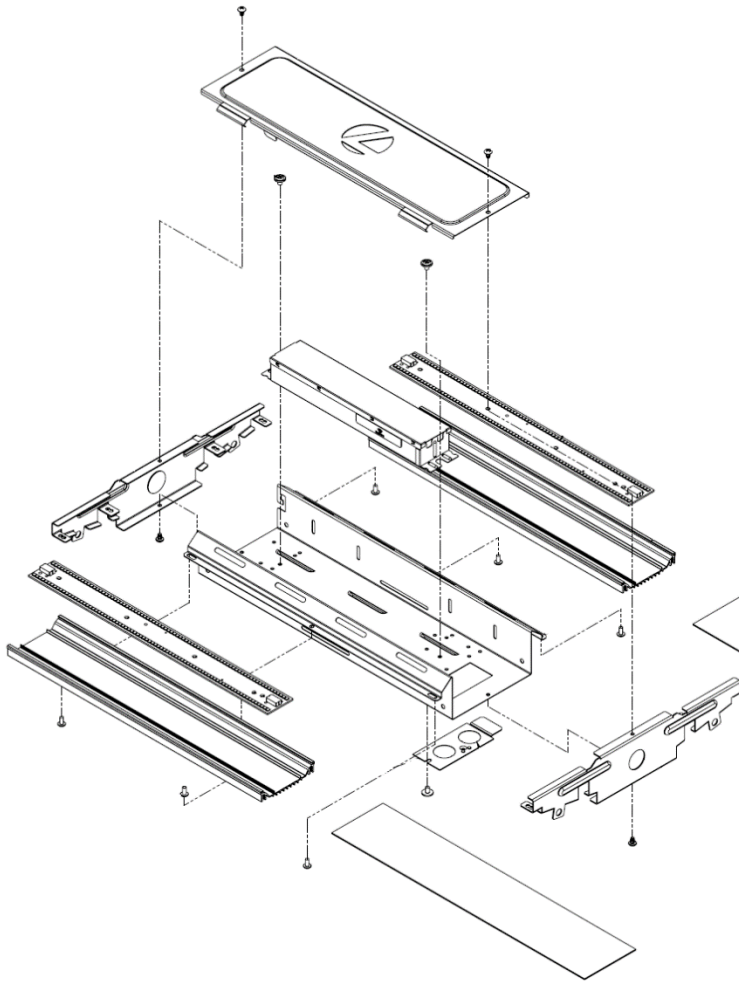


FIGURE 5 (EXPLODED VIEW)

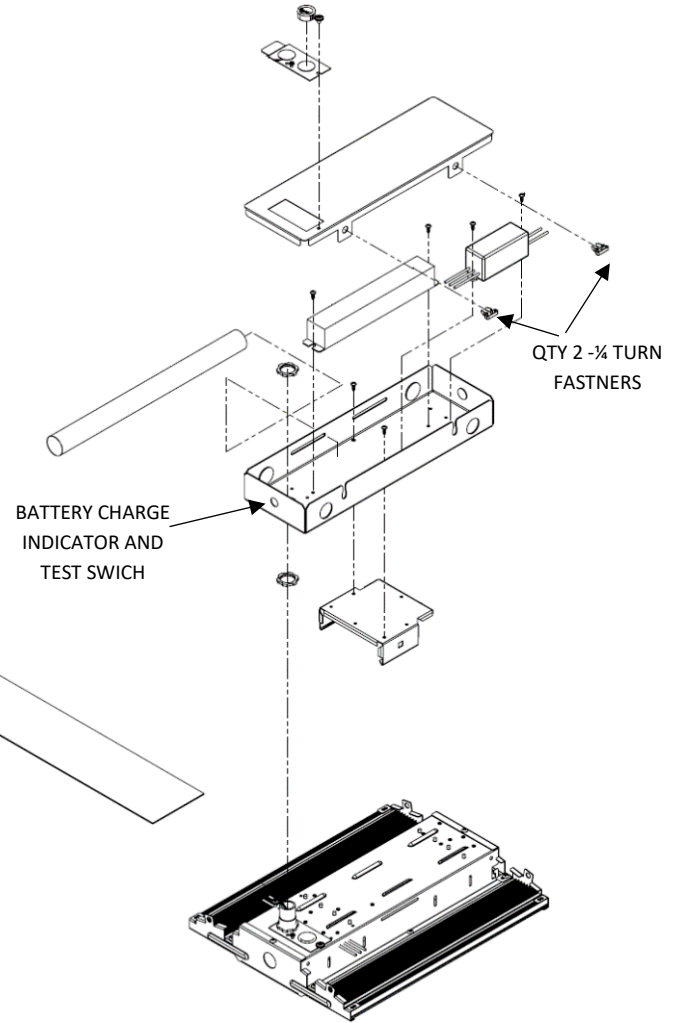


FIGURE 6 (BPK)

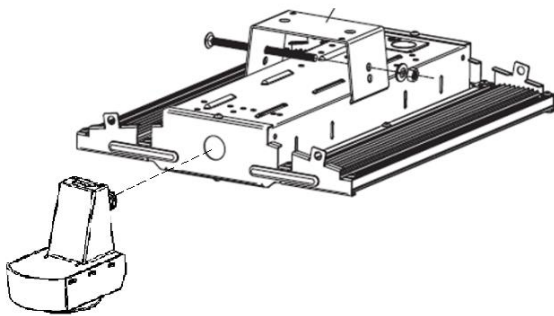


FIGURE 7 (LSXR SENSOR)