

Catalog Number
Notes
Type

## FEATURES & SPECIFICATIONS

**INTENDED USE** — The CPANL™ Series LED surface mount flat luminaire features an internal 120 volt triac dimming driver, color switching technology and ceiling flush mounting kit. This reliable and rigid flat panel is visually comfortable and can be recessed in a lay in ceiling or surface mounted to a hard ceiling with included accessories. The CPANL can be suspended or surface box mounted with accessories sold separately. The CPANL was designed for residential and light commercial applications including retail and offices. **Certain airborne contaminants can diminish the integrity of acrylic and/or polycarbonate.** [Click here for Acrylic-Polycarbonate Compatibility table for suitable uses.](#)

**CONSTRUCTION** — Built to last with an aluminum frame for strength and durability, the seamless frame prevents light leak in the corners. The satin white lens provides excellent shielding and fully luminous appearance. CPANL's low-profile design provides increased installation flexibility especially in restricted plenum spaces. The back plate includes integral T-bar clips for installation into T-grid ceilings.

**ELECTRICAL** — Long-life LEDs, coupled with a high-efficiency driver, provide superior illumination for extended service life. 70% LED lumen maintenance at 60,000 hours (L70/60,000). The line voltage dimming driver, dims to 10% without the need to run low voltage wiring. Compatible with most standard incandescent dimmers, see list of approved dimmers on page 2.

**LISTINGS** — CSA certified to meet US and Canadian standards. Intended for indoor use only. Product is not to be stored in non-climate controlled spaces. Damp location listed. IC rated. IP5X rated. Rated and certified to meet NSF Splash Zone 2.

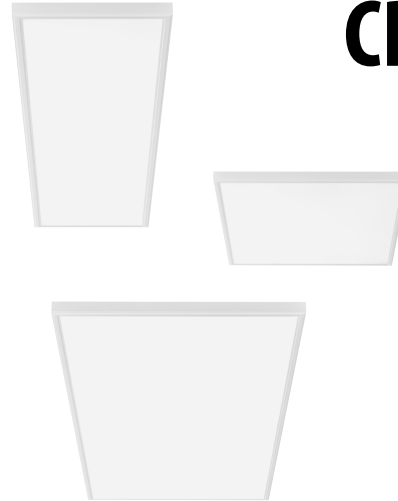
**WARRANTY** — 5-year limited warranty. Complete warranty terms located at: [www.acuitybrands.com/support/warranty/terms-and-conditions](http://www.acuitybrands.com/support/warranty/terms-and-conditions)

**Note:** Actual performance may differ as a result of end-user environment and application. All values are design or typical values, measured under laboratory conditions at 25 °C. Specifications subject to change without notice.

# CPANL LED

Surface Mount luminaire

1' x 4', 2' x 2' and 2' x 4'

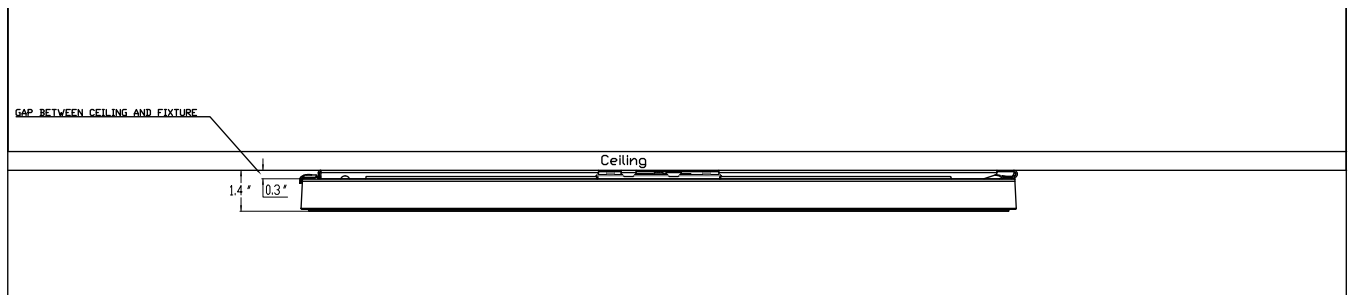


### ORDERING INFORMATION

Catalog Number	UPC	Description	Nominal Lumens	Color Temperature	CRI	Voltage	Wattage
CPANL 1X4 40LM SWW7 120TD DCMK	00194995063208	1x4 Switchable CCT Flat Panel with Bracket	4000	<b>3500</b> /4000/5000K	80CRI	120V	38
CPANL 2X2 33LM SWW7 120TD DCMK	00194995063239	2x2 Switchable CCT Flat Panel with Bracket	3300	<b>3500</b> /4000/5000K	80CRI	120V	37
CPANL 2X4 40LM SWW7 120TD DCMK	00194995063246	2x4 Switchable CCT Flat Panel with Bracket	4000	<b>3500</b> /4000/5000K	80CRI	120V	36

\* Bolded color temperature designates default switch setting.

### CPANL Mounted with DCMK



## ACCESSORIES

Accessories: Order as separate catalog number.	
ILBLP CP10 HE SD A	IOTA emergency constant power battery pack field installation kit (Certified in CA Title 20 MAEDBS) <sup>1</sup>
ELA PSDMT	External mounting tray to secure emergency battery to building structure, not required, battery can be mounted to fixture
1X4SMKSH	Surface Mount Kit 1'x4', Shallow Depth
2X2SMKSH	Surface Mount Kit 2'x2', Shallow Depth
2X4SMKSH	Surface Mount Kit 2'x4', Shallow Depth
DGA14	Drywall grid adapter for 1x4 recessed fixture.
DGA22	Drywall grid adapter for 2x2 recessed fixture.
DGA24	Drywall grid adapter for 2x4 recessed fixture.
PAC 2DNF 36	Panel Air Craft Kit, 2 cables with Y splitter, No Power Feed, 36 inches
PAC 2DF 36	Panel Air Craft Kit, 2 cables with Y splitter, with Power Feed, 36 inches
PAC 2DNF 72	Panel Air Craft Kit, 2 cables with Y splitter, No Power Feed, 72 inches
PAC 2DF 72	Panel Air Craft Kit, 2 cables with Y splitter, with Power Feed, 72 inches
PAC 2DNF 36	Panel Air Craft Kit, 2 cables with Y splitter, No Power Feed, 36 inches
PAC 2DF 36	Panel Air Craft Kit, 2 cables with Y splitter, with Power Feed, 36 inches
PAC 2DNF 72	Panel Air Craft Kit, 2 cables with Y splitter, No Power Feed, 72 inches
PAC 2DF 72	Panel Air Craft Kit, 2 cables with Y splitter, with Power Feed, 72 inches
PAC 4DNF 36	Panel Air Craft Kit, 4 cables, No Power Feed, 36 inches
PAC 4DF 36	Panel Air Craft Kit, 4 cables, with Power Feed, 36 inches
PAC 4DNF 72	Panel Air Craft Kit, 4 cables, No Power Feed, 72 inches
PAC 4DF 72	Panel Air Craft Kit, 4 cables, with Power Feed, 72 inches

### Emergency Battery Delivered Lumens

Use the formula below to determine the delivered lumens in emergency mode

$$\text{Delivered Lumens} = 1.25 \times P \times \text{LPW}$$

**P** = Output power of emergency driver (10W for PS1055)

**LPW** = Lumen per watt rating of the luminaire.

### NOTES

1. See Iota [ILBLP CP10 HE SE A](#) battery spec sheet here. Test switch must be remote mounted or installed in an adjacent ceiling tile.

## CPANL compatibility dimmer chart

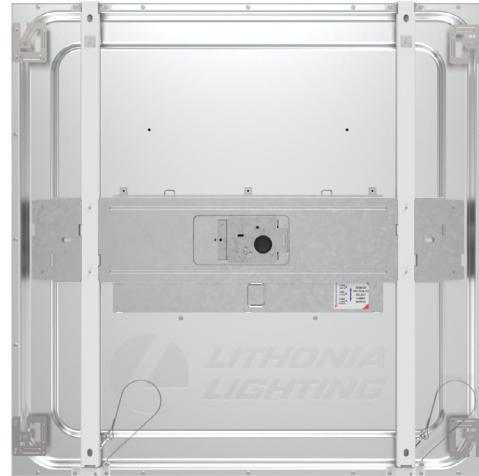
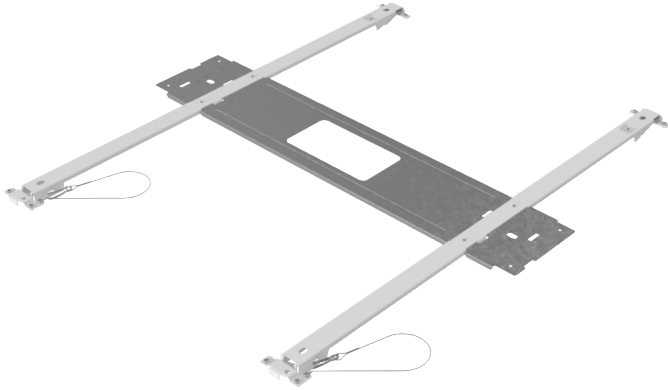
Lutron	Leviton	Pass & Seymour	Cooper
CTCL-153PDH-WH	6672	TD703PWCCV6	DLC03-W
DV-603P-LA	DW6HD	LS 603 PWV	
CT-603PR-WH	DZ6HD	T603LAV	
DVELV-300P	6633-PA	D1103P	
S-600PR	IP110-1LZ		
300P SELV	IP106-1LZ		
NTELV-300P	IMP10-1LZ		
PD-6WCL			
TGCL-153PH			
MACL-153MH			
SCL-153PR			
TG-600PR			
PD-5NE-WH			
AY-603P-AL			
LECL-153PH			
CT-103PR			
SCL-153PR			
RRD-PRO			
MRF25-6ELV-120			

## PHOTOMETRICS

See [www.lithonia.com](http://www.lithonia.com) for photometry reports.

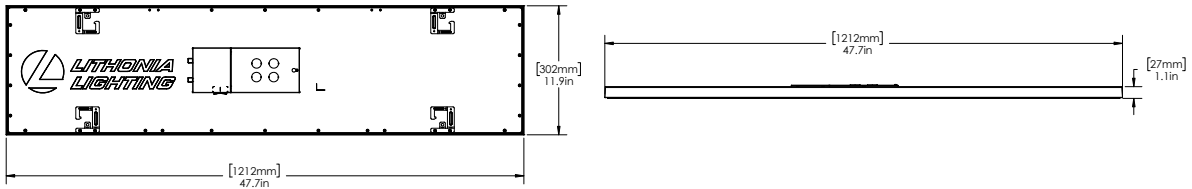
# CPANL LED Flat Panel

## Ceiling Direct Mount Bracket Included

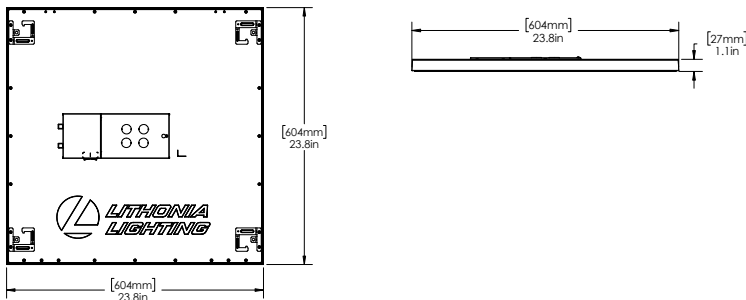


## DIMENSIONS

Length: 47.7 (121.2)  
Width: 11.9 (30.2)  
Depth: 1.1 (2.7)



Length: 23.8 (60.4)  
Width: 23.8 (60.4)  
Depth: 1.1 (2.7)



Length: 47.8 (121.4)  
Width: 23.8 (60.4)  
Depth: 1.1 (2.7)

