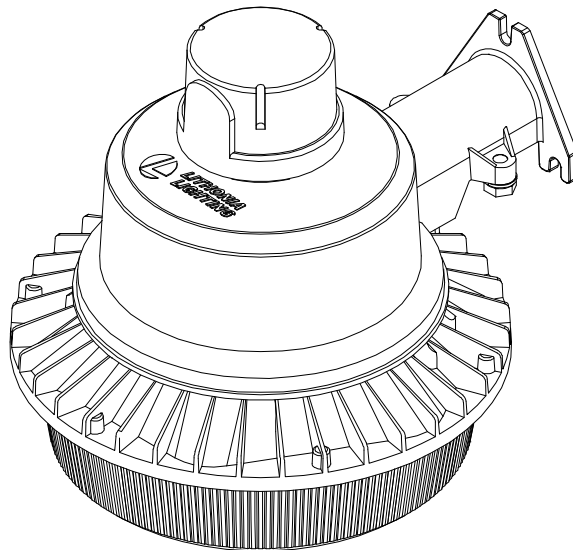


**Dusk to Dawn LED Area Light**



**Model Number(s):  
BGR**

**Protect yourself. Before installing, read the entire instructions carefully and save them for future reference.**

**Date installed:** \_\_\_\_\_

If this fixture fails to operate properly, use the guide below to diagnose and correct the problem.

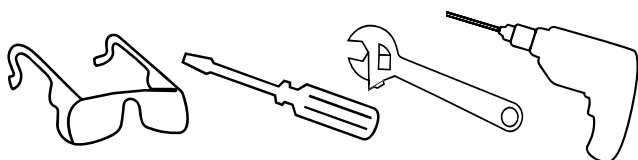
**FIXTURE PACKING LIST**

<u>Description</u>	<u>Quantity</u>
1) Housing Assembly.....	1
2) Photocontrol .....	1
3) 1" Bolts* .....	2
4) 2" Wood Screws* .....	3
5) Cover Plate* .....	1
6) Wire Nuts* .....	3
7) Diffuser* .....	1

\*Contained in parts packs

**Mounting Hardware Included  
Waterproof Supply Fittings & Conduit  
will be required - Purchase Separately  
Silicone Sealant Required**

**REQUIRED TOOLS:**



**Trouble Shooting Guide**

- Verify that power is turned on at switch and breaker
- Verify that fixture is wired properly
- Verify that line voltage is correct.
- Test if Photocontrol works properly

**The photocontrol in this fixture is designed to turn on fixture light at low light levels.**

**If light does not come on or stays on:**

Test if Photocontrol works properly:

- Cover Photocontrol - Light should come on.
- Shine a flashlight into Photocontrol - Light should go off.

**If fixture cycles on and off:**

Light reflecting back off any surrounding surfaces enters the photocontrol. To correct problem, reposition the fixture or eliminate reflective surface.

If further technical assistance is required, contact: **Technical Support at: (800) 705-SERV**

This LED light provides low maintenance service with no bulbs to change. Clean surfaces with mild soap and water. Do not use abrasive materials such as scouring pads or powders, steel wool or abrasive paper.

**WARNING:** There are no user serviceable parts inside fixture.

**READ AND FOLLOW THESE SAFETY INSTRUCTIONS!**

- To reduce the risk of death, personal injury or property damage from fire, electric shock, falling parts, cuts/abrasions, and other hazards please read all warnings and instructions included with and on the fixture box and all fixture labels.
- Before installing, servicing, or performing routine maintenance upon this equipment, follow these general precautions.
- Commercial installation, service and maintenance of luminaires should be performed by a qualified licensed electrician.
- For Residential installation: If you are unsure about the installation or maintenance of the luminaires, consult a qualified licensed electrician and check your local electrical code.
- Maintenance of the luminaires should be performed by person(s) familiar with the luminaires' construction and operation and any hazards involved. Regular fixture maintenance programs are recommended.
- This fixture is intended to be connected to a properly installed and grounded UL listed junction box.
- It will occasionally be necessary to clean the outside of the refractor/lens. Refractor/lens should be washed in a solution of warm water and any mild, non-abrasive household detergent, rinsed with clean water and wiped dry. Should optical assembly become dirty on the inside, wipe refractor/lens and clean in above manner, replacing damaged gaskets as necessary.
- **DO NOT INSTALL DAMAGED PRODUCT!** This luminaire has been properly packed so that no parts should have been damaged during transit. Inspect to confirm. Any part damaged or broken during or after assembly should be replaced.
- Recycle: For information on how to recycle LED electronic products, please visit [www.epa.gov](http://www.epa.gov).
- These instructions do not purport to cover all details or variations in equipment nor to provide every possible contingency to meet in connection with installation, operation, or maintenance. Should further information be desired or should particular problems arise which are not covered sufficiently for the purchaser's or owner's purposes, this matter should be referred to Acuity Brands Lighting, Inc.

**WARNING  
RISK OF ELECTRIC SHOCK**

- ▶ Disconnect or turn off power before installation or servicing.
- ▶ Verify that supply voltage is correct by comparing it with the luminaire label information.
- ▶ Make all electrical and grounded connections in accordance with the National Electrical Code (NEC) and any applicable local code requirements.
- ▶ All wiring connections should be capped with UL approved wire connectors.

**CAUTION  
RISK OF INJURY**

- ▶ Wear gloves and safety glasses at all times when removing luminaire from carton, installing, servicing or performing maintenance.
- ▶ Avoid direct eye exposure to the light source while it is on.

**WARNING  
RISK OF BURN**

- ▶ Allow lamp/fixture to cool before handling. Do not touch enclosure, lens or light source.
- ▶ Do not exceed maximum wattage marked on luminaire label.
- ▶ Follow all manufacturer's warnings, recommendations and restrictions including but not limited to: driver type, burning position, mounting locations/methods, replacement and recycling.
- ▶ Use only lamps that comply with ANSI standards.

**CAUTION  
RISK OF FIRE**

- ▶ Keep combustible and other materials that can burn, away from lamp/lens.
- ▶ Do not operate in close proximity to persons, combustible materials or substances affected by heat.

**CAUTION  
RISK OF PRODUCT DAMAGE**

- ▶ Never connect components under load.
- ▶ Do not mount or support these fixtures in a manner that can cut the outer jacket or damage wire insulation.
- ▶ Unless individual product specifications deem otherwise: Never connect an LED product directly to a dimmer packs, occupancy sensor, timing device, or other related control devices. LED fixtures must be powered directly off a switched circuit.
- ▶ Unless individual product specifications deem otherwise: Do not restrict fixture ventilation. Allow for some volume of airspace around the fixture. Avoid covering LED fixtures with insulation, foam, or other material that will prevent convection or cooling.
- ▶ Unless individual product specifications deem otherwise: Do not exceed fixtures maximum ambient temperature.
- ▶ Only use fixture in its intended location.
- ▶ LED products are Polarity Sensitive. Ensure proper Polarity before installation.
- ▶ Electrostatic Discharge (ESD): ESD can damage LED fixtures. Personal grounding equipment must be worn during all installation or servicing of unit.
- ▶ Do not touch individual electrical components as this can cause ESD, shorten lamp life, or alter performance.
- ▶ Some components inside the fixture may not be serviceable. In the unlikely event your unit may require service, stop using the unit immediately and contact an ABL representative for assistance.
- ▶ Changes or modifications not expressly approved by Acuity Brands Lighting could void the authority to operate the equipment.
- ▶ Always read the fixtures complete installation instructions prior to installation for any additional fixture specific warnings.

This equipment has been tested and found to comply with the limits for a class B digital device, pursuant to part 15 of the FCC Rules. These limits are designed to provide reasonable protection against harmful interference when used in a residential installation. This equipment generates, uses and can radiate radio frequency energy and, if not installed and used in accordance with the instructions may cause harmful interference to radio communications. However, there is no guarantee that interference will not occur in a particular installation. If this equipment does cause harmful interference to radio or television reception, which can be determined by turning the equipment off and on, the user is encouraged to try to correct the interference by one or more of the following measures:

- Reorient or relocate the receiving antenna.
- Increase the separation between the equipment and receiver.
- Connect the equipment into an outlet on a circuit different from that to which the receiver is connected.
- Consult the dealer or an experienced radio/TV technician for help.

**5-YEAR LIMITED WARRANTY**

Register your warranty on [www.lightahome.com/warranty](http://www.lightahome.com/warranty). Your prompt product registration confirms your right to the protection available under the terms and conditions of your Lithonia Lighting warranty.

Failure to follow any of these instructions could void product warranties. For a complete listing of product Terms and Conditions, please visit [www.acuitybrands.com](http://www.acuitybrands.com). Acuity Brands Lighting, Inc. assumes no responsibilities for claims arising out of improper or careless installation or handling of its products.

1. Remove fixture components and parts pack. Check to ensure all parts are included. **Note:** Account for small parts and destroy packing material, as these may be hazardous to children.

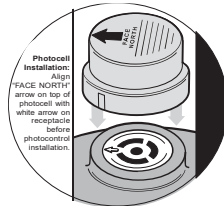
**Turn OFF Power at circuit breaker box!**

**CAUTION:** Do not rely on wall switch alone to turn off power.

**Note:** NOT suitable for use with dimmers, motion sensors or other remote devices.

**2. Photocontrol Installation**

Install Photocontrol by aligning the arrow on top of the Photocontrol with the arrow on the receptacle. Push down and twist clockwise until it clicks.



**Note:** For optimal performance the arrow on the photocontrol should be facing north after fixture is installed. If adjustment is needed, loosen the Screw in the center of the white photocontrol receptacle two turns. Rotate receptacle so that the arrow will point north when installed and re-tighten Screw. **Note:** There is a stop to prevent the receptacle from turning all the way around. If you have trouble turning the receptacle, try turning it the other direction.

**Note:** Keep photocontrol or Shorting Cap installed to ensure that no water will enter photocontrol receptacle.

**Fixture Mounting**

**Note:** Hardware included for mounting to wood surfaces only! Ensure that fixture is mounted onto structurally sound surface that will support the fixture.

**Optional Mounting Arm available (sold separately).**

3. Mark hole locations using the template on the box and drill 3/16" diameter pilot holes.

4. Install two 2" Screws (4) in bottom holes, leaving about 3/8" space under the head.

5. Install the third 2" Screw (4) into the predrilled hole on top and back the Screw out. This will leave the hole threaded and make installation easier.

6. Place Fixture Housing on the two bottom Screws and install third Screw.

7. Tighten two bottom Screws to secure fixture.

**CAUTION: WIRING AND FIXTURE OPERATION**

**Make sure power is turned off!**

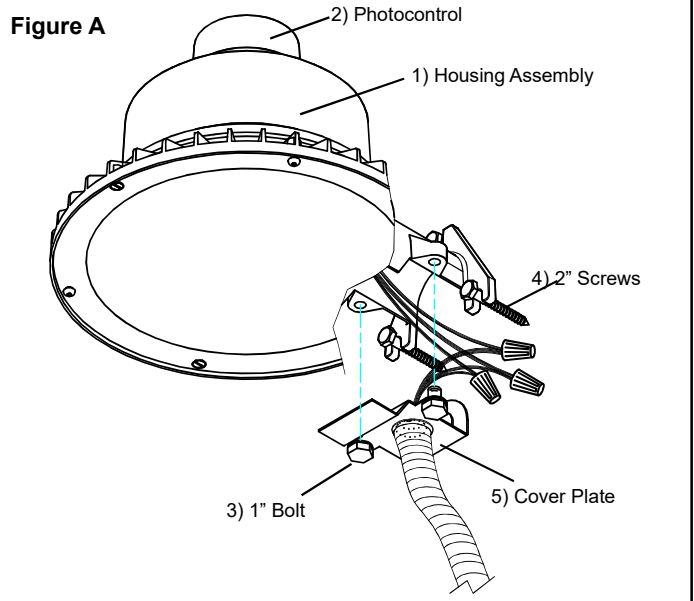
8. Remove knockout on bottom of Cover Plate (5) and feed house supply wires through hole. **Note:** This fixture is intended for use with conduit connectors, conduit and junction box that are UL listed suitable for wet locations and are properly installed and grounded. **See Fig. A.**

**9. Ground fixture**

Use Wire Nut (6) to connect the (copper) house supply ground wire & the (green) fixture ground wire.

**Note:** If house wiring does not include a ground wire, consult your local electrical code for approved grounding methods.

**For proper connection, place wire nut over wires and twist clockwise until tight.**

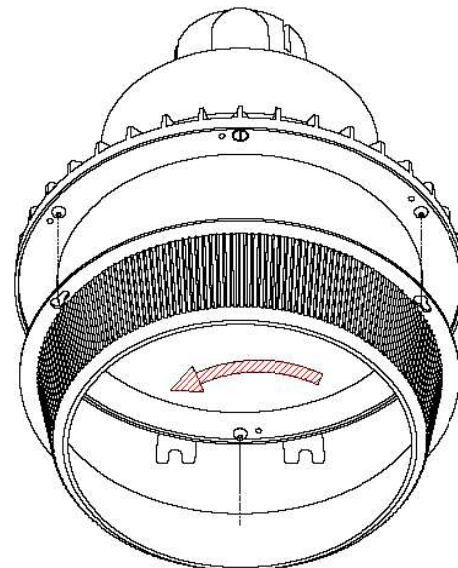


**10. Connect supply wires**

Use Wire Nuts (6) to connect the black fixture wire to the black power supply wire and the white fixture wire to the white (neutral) supply wire.

**11. Secure Cover Plate (5) to housing with two 1" Bolts (3).**

**12. If desired, install decorative Diffuser.** Align the keyholes along the diffuser rim with the 3 screw heads around the edge of the fixture bottom, push up and rotate counter clockwise to install and tighten screws to secure. **See Fig. B.**

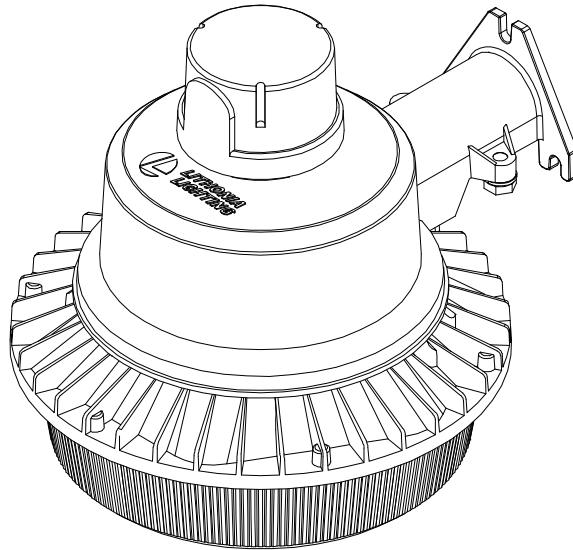


**Figure B**

**13. Turn on electricity** at fuse or circuit breaker box and verify success of installation. **Note:** Test fixture at night or block Photocontrol.

**14. Apply silicone caulking** (not included) for moisture seal.

**Crepúsculo al Amanecer - Area la Luz LED**



**Model Number(s):  
BGR**

Antes de instalar, lea estas instrucciones cuidadosamente y guárdelas para futura referencia.

Fecha Instalada: \_\_\_\_\_

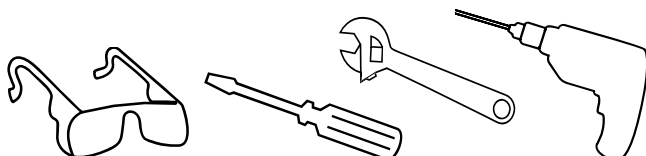
**LISTA DE EMBALAJE**

<u>Descripción</u>	<u>Cantidad</u>
1) Ensamblaje de la Carcasa .....	1
2) Fotocontrol .....	1
3) Tornillos de 1"*	2
4) Tornillo de 2"*	3
5) Placa de la Cubierta*	1
6) Capuchones de Alambre*	3
7) Diffuser*	1

\*Contenido en el paquete de piezas

**Herraje de Montaje Incluido  
Accesorios de Suministros Impermeables  
y Conducto de Alambres - Compre por Separado  
Requiere Sellador de Silicona**

**HERRAMIENTAS REQUERIDAS:**



Si este luminario falla de operar apropiadamente, use la siguiente guía para diagnosticar y corregir el problema.

**Guía de Localización de Averías**

- Verifique que el luminario este alambrado apropiadamente
- Verifique que el luminario este conectado tierra correctamente
- El voltaje de la línea en el luminario este correcto
- No hay ninguna luz reflejada hacia atrás adentro de la foto celda que cause que el luminario se apague.

**El fotocontrol en este luminario esta diseñado para encender la luz del luminario en bajos niveles de luz.**

**Si la luz no enciende o se mantiene encendida:**

**Prueba si el Fotocontrol esta trabajando correctamente:**

- Cubra el Fotocontrol - La luz deberá encenderse.
- Brille una linterna en el Fotocontrol - La luz deberá apagarse.

**Si el luminario enciende y apaga en ciclos:**

Luz de alguna superficie reflectora esta entrando en el fotocontrol. Para corregir el problema, recolocque el fotocontrol o elimine superficies reflectoras.

Si necesita obtener más ayuda técnica, comuníquese con:  
Soporte técnico al: (800) 705-SERV

Esta lámpara LED con detector de movimiento necesita muy poco mantenimiento y no es necesario cambiar los focos. Limpie las superficies con un limpiador suave no abrasivo.

**ADVERTENCIA:** La cabeza de la lámpara no contiene piezas que el usuario puede reparar.

### LEA Y SIGA LAS INSTRUCCIONES DE INSTALACIÓN.

- Para reducir el riesgo de muerte, lesiones personales o daño a la propiedad que pueda surgir de incendios, choques eléctricos, cortes, abrasiones, caída de partes y otros peligros lea todas las advertencias e instrucciones incluidas en la caja o su interior, además de las etiquetas del montaje.
- Antes de instalar o revisar el equipo, o realizar mantenimiento de rutina, siga estas precauciones generales.
- La instalación, la revisión y el mantenimiento comerciales de las luminarias debe ser realizada por un electricista calificado autorizado.
- En el caso de instalaciones residenciales: Si no está seguro sobre la instalación o el mantenimiento de las luminarias, consulte a un electricista calificado autorizado y verifique el código eléctrico local.
- Este montaje ha sido diseñado para conectarse a una caja de unión aprobada por UL debidamente instalada y puesta a tierra.
- Cada tanto será necesario limpiar la parte externa del refractor y de la lente. La frecuencia de la limpieza dependerá del nivel de polvo del ambiente y de la potencia de la luz mínima aceptable para el usuario. El refractor/la lente se debe lavar con una solución de agua tibia y detergente de uso doméstico suave no abrasivo, enjuagar con agua limpia y secar. Si el montaje óptico se ensuciara por dentro, limpie el refractor o la lente como se indicó anteriormente; de ser necesario, reemplace las juntas dañadas.
- **NO INSTALE EL PRODUCTO SI ESTÁ DAÑADO**
- Reciclado: Para obtener información sobre cómo reciclar productos electrónicos LED, visite [www.epa.gov](http://www.epa.gov).
- Estas instrucciones no pretenden cubrir todos los detalles o las variaciones de los equipos ni abarcar todas las posibles eventualidades relacionadas con la instalación, el funcionamiento o el mantenimiento. Si necesita más información o surgen problemas específicos que no están debidamente cubiertos en la información del producto, remítase a Acuity Brands Lighting, Inc.

#### **ADVERTENCIA** **RIESGO DE CHOQUE ELÉCTRICO**

- ▶ Desconecte o interrumpa la energía eléctrica antes de realizar la instalación o la reparación.
- ▶ Verifique que el voltaje de alimentación sea correcto; compárelo con la información de la etiqueta de la luminaria.
- ▶ Realice todas las conexiones eléctricas y a tierra en cumplimiento del Código Eléctrico Nacional y de los requisitos del código local vigente.
- ▶ Todas las conexiones de cableado deben cubrirse con conectores para cable reconocidos y aprobados por UL.

#### **PRECAUCIÓN** **RIESGO DE LESIONES**

- ▶ Use gafas y guantes de protección en todo momento al retirar la luminaria de la caja, al instalarla, repararla o realizar operaciones de mantenimiento.
- ▶ Una vez encendida la fuente de luz, evite la exposición directa con los ojos.

#### **ADVERTENCIA** **RIESGO DE QUEEMADURAS**

- ▶ Antes de manipular el montaje, déjelo enfriar. No toque la carcasa ni la fuente de iluminación.
- ▶ No supere el voltaje máximo señalado en la etiqueta de la luminaria.
- ▶ Respete todas las advertencias, recomendaciones y restricciones que proporciona el fabricante para: tipo de conductor, posición de funcionamiento, puntos o métodos de montaje, reemplazo y reciclado.
- ▶ Use sólo lámparas que cumplan los estándares ANSI.

#### **PRECAUCIÓN** **RIESGO DE INCENDIO**

- ▶ Mantenga lejos de la luminaria y de las lámparas/lentes, los materiales combustibles y de otro tipo que se puedan incendiar.
- ▶ No las encienda cerca de personas, materiales combustibles o sustancias inflamables.

#### **PRECAUCIÓN** **RIESGO DE DAÑO PARA EL PRODUCTO**

- ▶ Jamás conecte componentes bajo carga.
- ▶ No monte estos montajes de manera que puedan cortar el revestimiento exterior o dañar el aislamiento de los cables.
- ▶ A menos que las especificaciones del producto individual consideren lo contrario: jamás conecte un producto LED directamente a un paquete de reducción de intensidad de la luz, sensores de ocupación, dispositivos de temporización ni demás dispositivos de control relacionados. Los montajes LED se deben apagar directamente de un circuito de interruptores.
- ▶ A menos que las especificaciones del producto individual consideren lo contrario: no limite la ventilación del montaje. Deje un poco de espacio alrededor del montaje. Evite cubrir los montajes LED con aislación, goma u otro material que evitará la convección o el enfriamiento de la conducción.
- ▶ A menos que las especificaciones del producto individual consideren lo contrario: no supere la temperatura ambiente máxima para el montaje.
- ▶ Use el montaje sólo en la ubicación para la que está diseñado.
- ▶ Los productos LED son sensibles a la polaridad. Asegure la correcta polaridad antes de la instalación.
- ▶ Descarga electrostática (DES): la DES puede dañar los montajes LED. Durante la instalación o reparación de la unidad se debe usar siempre equipo personal conectado a tierra.
- ▶ No toque componentes eléctricos individuales ya que esto puede causar DES, reducir la vida útil de la lámpara o alterar el funcionamiento.
- ▶ Es posible que algunos componentes dentro del montaje no se puedan reparar. En el caso improbable de que su unidad requiera reparación, deje de usar la unidad inmediatamente y comuníquese con un representante de ABL para obtener ayuda.
- ▶ Los cambios o modificaciones no aprobados expresamente por Acuity Brands Lighting pueden anular la autoridad del usuario para usar el equipo.
- ▶ Lea siempre las instrucciones de instalación completa de montaje antes de la instalación para verificar si hay advertencias específicas de montaje adicionales.

Este equipo se ha probado y se ha encontrado para conformarse con los límites para un dispositivo de la clase B digital, conforme a la parte 15 de las reglas de la FCC. Estos límites se diseñan para proporcionar la protección razonable contra interferencia dañosa cuando están utilizados en una instalación residencial. Este equipo genera, las aplicaciones y puede irradiar energía de la radiofrecuencia. Si no instalado y utilizado de acuerdo con el manual de la instrucción, este equipo puede causar interferencia dañosa a las comunicaciones por radio. La operación está conforme a las dos condiciones siguientes.

Sin embargo, no se puede garantizar que no se produzcan interferencias perjudiciales para la recepción de las señales de radio o televisión, las que pueden detectarse al encender y apagar el equipo, el usuario debe intentar corregirlas por medio de una de las siguientes medidas:

- Orientar la antena receptora en otra dirección o ubicarla en otro sitio.
- Aumentar la separación entre el equipo y el receptor.
- Conectar el equipo a una toma de corriente de un circuito diferente del que esté conectado al receptor.
- Solicitar ayuda al comerciante o a un técnico experto en radio/TV.

#### **GARANTÍA LIMITADA POR 5 AÑOS**

El incumplimiento de alguna de estas instrucciones puede anular la garantía del producto. Para obtener la lista completa de los términos y las condiciones respecto al producto, visite [www.acuitybrands.com](http://www.acuitybrands.com). Acuity Brands Lighting, Inc. no se hace responsable por los reclamos que puedan surgir de la instalación o manipulación inadecuada o negligente de sus productos.

1. Quite los componentes del luminario y el paquete de piezas. Verifique que todas las piezas estén incluidas. **Nota:** Tenga cuidado con las piezas pequeñas y destruya el material de embalaje, ya que pueden ser peligrosos si están al alcance de niños.

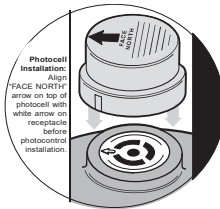
**¡Apague la electricidad en la caja de rtacircuitos!**

**ATENCIÓN:** No se confíe de cortar la corriente en el interruptor mural solamente.

**Nota:** Este montaje **NO** se puede usar con reductores de lumbrado, sensores de movimiento u otros dispositivos remotos.

### 2. Instalación del Fotocontrol

Instale el Fotocontrol alineando la flecha encima del fotocontrol con la flecha en el receptáculo. Empuje hacia abajo y gire hacia su derecha hasta que haga clic.



**Nota:** Para un desempeño óptimo, la flecha en el Fotocontrol debe estar mirando hacia el norte después de que el luminario este instalado.

Si necesita ajustar, afloje con dos vueltas el tornillo en el centro del receptáculo blanco del fotocontrol. Gire el receptáculo para que la flecha señale hacia el norte cuando este instalado y reapriete el tornillo. **Nota:** Hay una parada de prevenir el receptáculo de girar alrededor completamente. Si usted tiene el problema en girar el receptáculo, pruebe girándolo en la otra dirección.

**Nota:** Mantener Fotocontrol o corto tapa instalado para asegurarse de que no haya agua entrará Fotocontrol receptáculo.

### Montaje del Luminario

**Nota:** El herraje incluido es solamente para montaje a superficies de madera. Asegúrese de que está montado en una estructura sólida superficie de apoyo de la sujeción.

Brazo de Montaje opcional (vendido por separado).

3. Utilizando la plantilla en la caja, marque las ubicaciones de agujeros y taladre unos agujeros pilotos de 3/16" de diámetro.

4. Primero instale los dos Tornillos de Montaje de 2" (4) que se encuentran por debajo, dejando un espacio acerca de 3/8" abajo de la cabeza.

5. Intale Tronillo de Montaje superior en el agujero ya taladrado y retire el tornillo hacia afuera. Esto dejara roscas en el agujero y facilita la instalación.

6. Coloque la Carcasa del luminario en los dos Tornillos de abajo y instale el tercer Tornillo de Montaje.

7. Apriete los dos Tornillos de Montaje de abajo.

### PRECAUCIÓN: OPERACIÓN DEL LUMINARIO Y ALAMBRADO

Cerciórese que la fuente de alimentación eléctrica este apagada.

8. Quite el "knockout" en la parte trasera de Placa de la Cubierta (5) para montaje a caja de conexiones o quite el "knockout" en el fondo de la Placa de la Cubierta para montaje a tubo conduit y encamine los alambres de suministros de la casa por el agujero. **Nota:** Este luminario esta concebido para uso con conectores de conduit, conduit y cajas de conexiones que estén listadas UL para ubicaciones húmedas y estén apropiadamente instalados y conectado a tierra.

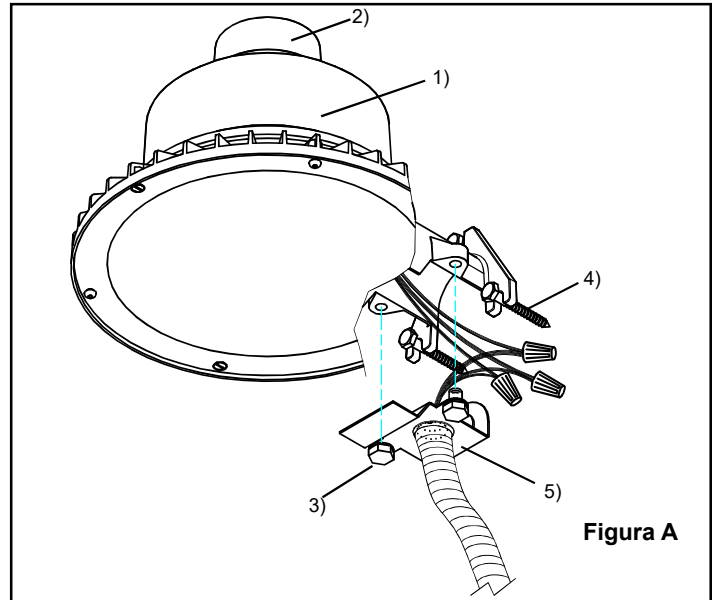


Figura A

9. Para poner a tierra el luminario, utilice una Tuerca de Alambres para conectar el alambre de tierra de suministro de la casa y el alambre (cobre) de tierra del luminario (verde).

**Nota:** Si el alambrado de la casa no incluye un alambre de Conexión a Tierra, consulte su código eléctrico local para métodos aprobados para conectar a tierra.

**Para una conexión apropiada, coloque el capuchón de alambre sobre los alambres y gire en el sentido de las agujas del reloj hasta que este apretado.**

### 10. CONEXIÓN DEL SUMINISTRO ELÉCTRICO

Use capuchones de alambres (6) para conectar los dos alambres negro del luminario al alambre negro del suministro de electricidad de la casa y los dos alambres blanco del luminario al blanco (neutral) del suministro de electricidad de la casa.

11. Asegura la Placa de la Cubierta (5) a la Carcasa con Tornillos de 1".

12. Si lo desea, instale Difusor decorativo. Alinee los orificios a lo largo de la llanta con el difusor 3 cabezas alrededor del borde del elemento inferior, empujar hacia arriba y girar hacia la izquierda para instalar y apretar los tornillos de seguridad. **See Fig. B.**

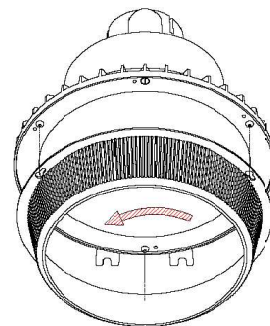
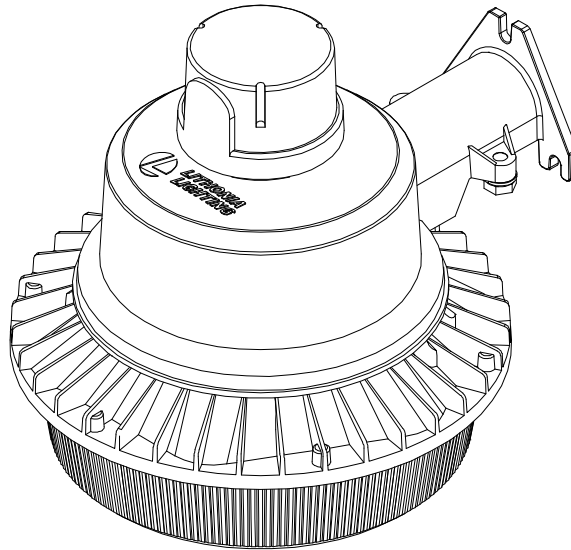


Figura B

13. Encienda la electricidad en la caja de fusibles o caja de cortacircuitos y verifique el éxito de la instalación. **Nota:** Pruebe el luminario de noche o bloquee la foto celda.

14. Aplique calafatea de silicona (no incluida) para sellar la humedad.

### Crépusculaire - Éclairage de Périmètres



### Numéro des modèle BGR

Pour votre propre protection. Avant de procéder à l'installation, veuillez lire attentivement ces directives et les conserver pour référence ultérieure. Date de l'installation : \_\_\_\_\_

Si l'appareil ne fonctionne pas adéquatement, veuillez vous servir du guide ci-dessous afin d'identifier et corriger le problème.

**Guide de dépannage:**

- Vérifier si le câblage de l'appareil est bien fait.
- Vérifier si la mise à la terre de l'appareil est adéquate.
- Vérifier la tension de secteur de l'appareil.
- Vérifier toute lumière réfléchi sur la cellule photoélectrique causant la mise hors tension.

### LISTE DES PIÈCES

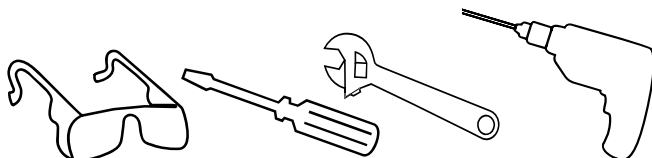
Description	Quantité
1) Bloc boîtier .....	1
2) Cellule photoélectrique.....	1
3) Vis de 1 po* .....	2
4) Vis de 2 po* .....	3
5) Plaque couvercle* .....	1
6) Capuchons de connexion* .....	3
7) Diffuser*.....	1

\*Compris dans l'emballage de pièces

**Quincaillerie de montage comprises**

**Conduit et raccords d'alimentation étanches à l'eau requis –  
Veuillez acheter séparément  
Joint d'étanchéité à la silicone requis**

### OUTILS REQUIS:



L'interrupteur photoélectrique de cet appareil est conçu pour allumer l'éclairage lorsque l'intensité lumineuse environnante faiblit.

**Si la lumière ne s'allume pas ou reste allumée:**

**Vérifier si l'interrupteur photoélectrique fonctionne correctement:**

- Couvrir l'interrupteur photoélectrique pendant et la lumière devrait s'allumer.
- Diriger la lumière d'une lampe de poche sur l'interrupteur photoélectrique, la lumière devrait s'éteindre.

**Si l'appareil d'éclairage s'allume puis s'éteint en boucle:**

L'interrupteur photoélectrique perçoit une lumière réfléchi de surfaces avoisinantes. Pour corriger ce problème, positionner autrement l'interrupteur ou éloigner les surfaces réfléchissantes en cause.

Pour toute autre assistance, veuillez contacter nos services de support technique: le soutien technique au: (800) 705-SERV

Cette lampe à détecteur de mouvement DEL nécessite peu d'entretien et il n'y a aucune ampoule à changer. Nettoyez les surfaces avec un produit doux non abrasif.

**AVERTISSEMENT:** Il n'y a aucune pièce réparable à l'intérieur de chaque projecteur.

**VEUILLEZ LIRE ET RESPECTER TOUTES LES CONSIGNES DE SÉCURITÉ!**

- Afin de réduire le risque de blessures personnelles ou de mort, ou d'endommager le matériel en raison d'un incendie, d'un choc électrique, de la chute de pièces, de coupures/abrasions ou de tout autre danger, lisez tous les avertissements et instructions compris dans et sur la boîte de la fixation et toutes ses étiquettes.
- Avant d'installer, d'entretenir ou de réaliser une maintenance de routine sur cet équipement, tenez compte de ces précautions générales.
- L'installation commerciale, l'entretien et les réparations des lampes ne devraient être effectuées que par un électricien diplômé et qualifié.
- Pour les installations résidentielles : Si vous avez des doutes quant à l'installation ou l'entretien des lampes, consultez un électricien diplômé et qualifié et vérifiez votre code de l'électricité local.
- Ce luminaire est conçu pour être connecté à une boîte de jonction certifiée UL, correctement installée et mise à la terre.
- Il sera occasionnellement nécessaire de nettoyer la partie extérieure du réflecteur/de la lentille. Le réflecteur/la lentille doit être lavé(e) dans une solution d'eau tiède et avec un détergent ménager doux et non abrasif, puis rincé(e) à l'eau claire et essuyé(e). En cas d'accumulation de saletés à l'intérieur de l'ensemble optique, essuyez le réflecteur/la lentille et nettoyez comme indiqué ci-dessus, en remplaçant les joints endommagés selon le besoin.
- **N'INSTALLEZ PAS UN PRODUIT ENDOMMAGÉ !**
- Recyclage : pour des informations sur la manière de recycler les produits électroniques à DEL, veuillez vous rendre sur [www.epa.gov](http://www.epa.gov).
- Ces instructions ne sont pas censées couvrir tous les détails ou variations de l'équipement ni fournir toutes les éventualités possibles en ce qui concerne l'installation, l'utilisation ou l'entretien. Si des informations supplémentaires devaient s'avérer nécessaires, ou si des problèmes particuliers se présentent et ne sont pas suffisamment repris pour l'acheteur ou du propriétaire, il conviendra de contacter Acuity Brands Lighting, Inc à ce sujet.


**AVERTISSEMENT  
RISQUE DE CHOC ÉLECTRIQUE**

- ▶ Débranchez ou coupez l'alimentation avant l'installation ou l'entretien.
- ▶ Vérifiez que la tension d'alimentation est correcte en la comparant avec les informations sur l'étiquette de la lampe.
- ▶ Réalisez tous les raccordements électriques et de masse conformément aux exigences du Code national de l'électricité et de tout code local applicable.
- ▶ Tous les raccordements câblés doivent être faits avec des connecteurs de câbles certifiés UL.


**ATTENTION  
RISQUE DE BLESSURE**

- ▶ Portez des gants et des lunettes de protection en permanence lorsque vous retirez la lampe du carton et que vous procédez à l'installation, à l'entretien ou à des réparations.
- ▶ Évitez le contact direct des yeux avec la source de lumière lorsqu'elle est allumée.


**AVERTISSEMENT  
RISQUE DE BRÛLURE**

- ▶ Laissez refroidir la fixation avant de la manipuler. Ne touchez pas l'enceinte ou la source de lumière.
- ▶ Ne dépassez pas la puissance maximum indiquée sur l'étiquette de la lampe.
- ▶ Respectez tous les avertissements, recommandations et restrictions du fabricant de lampe pour le circuit d'attaque, la position de fonctionnement, les méthodes/endroits de montage, le remplacement et le recyclage.
- ▶ Utilisez uniquement les lampes qui sont conformes aux normes ANSI.


**ATTENTION  
RISQUE D'INCENDIE**

- ▶ Conservez les matériaux combustibles et tout autre élément pouvant prendre feu à l'écart de la lampe/lentille.
- ▶ Ne l'utilisez pas à proximité de personnes, de matériaux combustibles ou de substances affectées par la chaleur.


**ATTENTION  
RISQUE D'ENDOMMAGEMENT DU PRODUIT**

- ▶ Ne connectez jamais des composants sous charge.
- ▶ Ne montez ni soutenez pas ces fixations d'une manière qui pourrait sectionner la gaine extérieure ou endommager l'isolation de câble.
- ▶ Sauf si contraire aux spécifications du produit individuel : ne connectez jamais un produit à DEL directement à des packs de gradation de la lumière, des capteurs d'occupation, des dispositifs de minuterie ou d'autres dispositifs de commande liés. Les fixations DEL doivent être alimentées directement hors d'un circuit à interrupteur.
- ▶ Sauf si contraire aux spécifications du produit individuel : Sauf si contraire aux spécifications du produit individuel : ne pas limiter la ventilation de la fixation. Laissez un espace libre suffisant autour de la fixation. Évitez de couvrir les fixations DEL avec de l'isolation, de la mousse ou d'autres matériaux qui empêcheront le refroidissement de convection ou de conduction.
- ▶ Sauf si contraire aux spécifications du produit individuel : ne pas dépasser la température ambiante maximum à laquelle les fixations sont exposées.
- ▶ N'utilisez la fixation que dans l'emplacement prévu à cet effet.
- ▶ Les produits à DEL sont sensibles à la polarité. Assurez-vous que la polarité est correcte avant l'installation.
- ▶ Décharge électrostatique (DES) : les DES peuvent endommager les fixations DEL. Un équipement de mise à la masse personnel doit être porté lors de toute installation ou entretien de l'unité.
- ▶ Ne touchez pas les composants électriques individuels car cela peut causer une DES, réduire la durée de vie de la lampe ou altérer ses performances.
- ▶ Certains composants à l'intérieur de la fixation peuvent ne pas être réparables. Dans le cas peut probable où votre unité aurait besoin d'être réparée, arrêtez immédiatement d'utiliser l'unité et contactez un représentant ABL pour obtenir de l'aide.
- ▶ Les changements ou les modifications qui ne sont pas expressément approuvés par Acuity Brands Lighting pourraient rendre nulle et non avenue l'autorisation d'utiliser ce matériel.
- ▶ Lisez toujours les instructions d'installation complètes des fixations avant l'installation pour les autres avertissements spécifiques de la fixation.

cet équipement a été testé et respecte les limites des normes relatives aux articles numériques de Classe B établies dans la partie 15 du règlement de la FCC. Ces limites ont été établies pour offrir une protection raisonnable contre les interférences nuisibles dans les installations résidentielles. Cet appareil génère, utilise et peut émettre de l'énergie de radio fréquence. S'il n'est pas installé de manière conforme aux instructions, il peut causer des interférences nuisibles aux communications radio. Il n'est toutefois pas garanti que de l'interférence ne se produira pas dans une installation dommée. Si cet équipement cause de l'interférence nuisibles à la réception radiophonique ou télévisuelle, ce qui peut être déterminé en allumant et en éteignant l'équipement, l'utilisateur est encouragé à suivre l'une ou l'ensemble des mesures suivantes pour corriger l'interférence :

- Réorienter ou déplacer l'antenne réceptrice.
- Accroître la séparation entre l'équipement et le récepteur.
- Brancher l'équipement sur une prise utilisant un circuit d'alimentation différent de celui sur lequel le récepteur est connecté.
- Demander l'aide du concessionnaire ou d'un technicien expert dans les la radio et de la télévision.

**GARANTIE LIMITÉE DE 5 ANS**

Tout manquement au respect de ces instructions pourrait rendre nulles les garanties. Pour une liste complète des conditions générales du produit, veuillez vous rendre sur [www.acuitybrands.com](http://www.acuitybrands.com). Acuity Brands Lighting, Inc. n'assume aucune responsabilité pour les réclamations découlant d'une installation ou d'une manipulation incorrectes ou négligentes de ses produits.



1. Retirer les composants de l'appareil et l'emballage des pièces. S'assurer que toutes les pièces sont incluses. **Note:** Faites attention aux petites pièces et détruisez le matériel d'emballage car ils pourraient être dangereux pour les enfants.

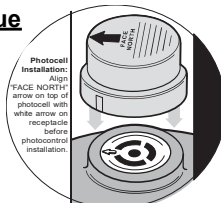
**Couper l'électricité au fusible ou au disjoncteur!**

**ATTENTION:** Ne coupez pas le courant uniquement au niveau de l'interrupteur mural.

**Remarque:** Cette fixation n'est pas compatible avec les gradateurs ou les dispositifs de gradation de la lumière.

### 2. Installation de la cellule photoélectrique

Pour installer l'interrupteur photoélectrique, aligner la flèche du dessus avec la flèche sur la prise. Pousser et tourner en sens horaire jusqu'à ce qu'il s'enclipse.



**Note:** Pour une performance optimale, la flèche de la commande photoélectrique doit indiquer le nord une fois l'appareil installé. Si un ajustement est requis, desserrer de deux tours la vis au centre de la prise blanche de la commande photoélectrique. Tourner la prise de sorte que la flèche pointe vers le nord une fois installée et serrer la vis à fond. **Note:** Un butoir empêche la prise de faire un tour complet, en cas de difficulté à tourner la prise, essayer de la tourner en sens inverse. **Note:** Garder photocontrol ou Capuchon court-circuitage installés pour s'assurer qu'aucune eau entrera photocontrol récipient.

### Installation de l'appareil

**Note:** Quincaillerie de fixation incluse pour le montage à une surface en bois seulement. Asegúrese de que está montado en una estructura sólida superficie de apoyo de la sujeción.

**Bras de montage disponible en option** (vendu séparément).

3. À l'aide du gabarit sur la boîte, marquer l'emplacement des trous de montage et percer des trous pilotes de 3/16 po de diamètre.

4. Poser les deux vis de montage de 2 po (4) du bas en premier, laissant un espace d'environ 3/8 po sous la tête des vis.

5. Poser la vis de montage du haut dans le trou pilote et retirer la vis. Ceci laissera un trou fileté et facilitera l'installation.

6. Pacer le boîtier de l'appareil sur les deux vis du bas, puis installer la troisième vis.

7. Visser complètement les deux vis de montage du bas.

### MISE EN GARDE: CÂBLAGE ET MODE D'EMPLOI DE L'APPAREIL

**Vous assurer de couper le courant avant de procéder au câblage.**

8. Retirer la débouchure à l'arrière de la plaque couvercle (5) pour le montage de la boîte de jonction ou retirer la débouchure au bas de la plaque couvercle pour le montage par conduit et acheminer les fils d'alimentation par le trou. **Note:** Cet appareil est prévu pour un usage avec des raccords de conduit, un conduit et des boîtes de jonction qui sont homologuées UL pour les emplacements mouillés et installés et mis à la terre conformément aux codes.

9. Pour la mise à terre de l'appareil, connecter le fil de terre de l'alimentation (cuivre) au fil de terre (vert) de l'appareil, à l'aide d'un capuchon de connexion.

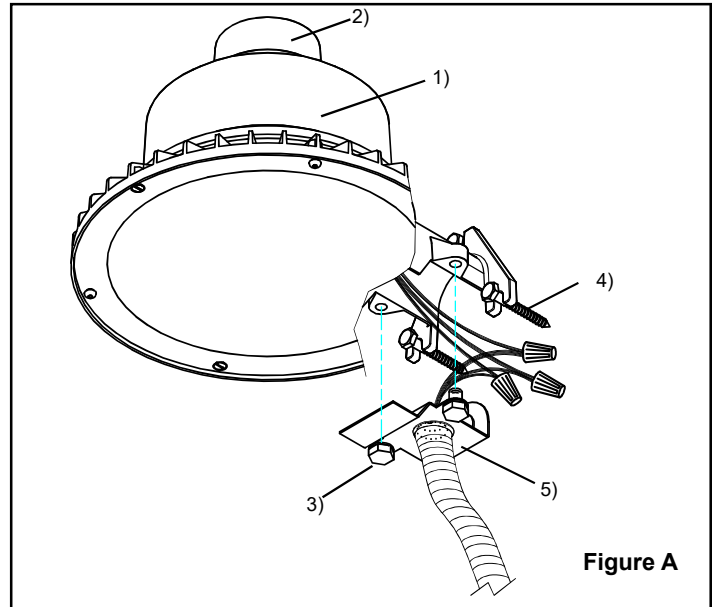


Figure A

**Note:** Si le câblage d'alimentation ne comprend pas un fil de mise à la terre, consulter votre code d'électricité local et vérifier les méthodes conformes pour la mise à la terre.

**Pour vous assurer d'un bon raccordement, mettre le capuchon sur les fils et tourner dans le sens de rotation horaire jusqu'à ce que la connexion soit solide.**

### 10. RACCORDEMENT DE L'ALIMENTATION

Employer des capuchons de connexion pour connecter les deux fils noirs de l'appareil au fil d'alimentation noir et les deux fils blancs au fil blanc (neutre) d'alimentation.

11. Fixer la plaque couvercle au boîtier à l'aide des vis de 1 po.

12. Si désiré, installer diffuseur décoratifs. Alignez les encoches situées le long du diffuseur rim avec les 3 têtes de vis autour du bord de la fixture bas, pousser vers le haut et tourner dans le sens inverse des aiguilles à installer et serrer les vis de fixation. **See Fig. B.**

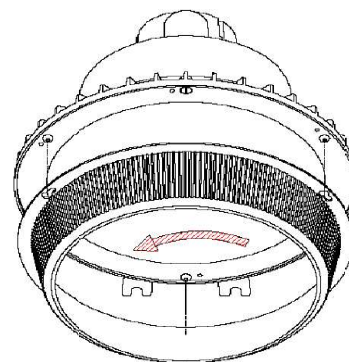


Figure B

13. Rétablir le courant au fusible ou au disjoncteur et vérifier si l'installation est réussie. **Note:** Vérifier le fonctionnement de l'appareil le soir, ou bloquer la cellule photoélectrique.

14. Applique du bouche-fentes à la silicone (non inclus) pour l'humidité joint.