

READ AND FOLLOW ALL SAFETY INSTRUCTIONS!
SAVE THESE INSTRUCTIONS AND DELIVER TO OWNER AFTER INSTALLATION

- To reduce the risk of death, personal injury or property damage from fire, electric shock, falling parts, cuts/abrasions, and other hazards please read all warnings and instructions included with and on the fixture box and all fixture labels.
- Before installing, servicing, or performing routine maintenance upon this equipment, follow these general precautions.
- Installation and service of luminaires should be performed by a **qualified licensed electrician**.
- Maintenance of the luminaires should be performed by person(s) familiar with the luminaires' construction and operation and any hazards involved. Regular fixture maintenance programs are recommended.
- It will occasionally be necessary to clean the outside of the refractor/lens. Frequency of cleaning will depend on ambient dirt level and minimum light output which is acceptable to user. Refractor/lens should be washed in a solution of warm water and any mild, non-abrasive household detergent, rinsed with clean water and wiped dry. Should optical assembly become dirty on the inside, wipe refractor/lens and clean in above manner, replacing damaged gaskets as necessary.
- **DO NOT INSTALL DAMAGED PRODUCT!** This luminaire has been properly packed so that no parts should have been damaged during transit. Inspect to confirm. Any part damaged or broken during or after assembly should be replaced.
- Recycle: For information on how to recycle LED electronic products, please visit www.epa.gov.
- These instructions do not purport to cover all details or variations in equipment nor to provide every possible contingency to meet in connection with installation, operation, or maintenance. Should further information be desired or should particular problems arise which are not covered sufficiently for the purchaser's or owner's purposes, this matter should be referred to Acuity Brands Lighting, Inc.



WARNING
RISK OF ELECTRIC SHOCK

- ✓ Disconnect or turn off power before installation or servicing.
- ✓ Verify that supply voltage is correct by comparing it with the luminaire label information.
- ✓ Make all electrical and grounded connections in accordance with the National Electrical Code (NEC) and any applicable local code requirements.
- ✓ All wiring connections should be capped with UL approved recognized wire connectors.



WARNING
RISK OF BURN

- ✓ Allow lamp/fixture to cool before handling. Do not touch enclosure or light source.
- ✓ Do not exceed maximum wattage marked on luminaire label.
- ✓ Follow all manufacturer's warnings, recommendations and restrictions for: driver type, burning position, mounting locations/methods, replacement and recycling.



CAUTION
RISK OF INJURY

- ✓ Wear gloves and safety glasses at all times when removing luminaire from carton, installing, servicing or performing maintenance.
- ✓ Avoid direct eye exposure to the light source while it is on.



CAUTION
RISK OF FIRE

- ✓ Keep combustible and other materials that can burn, away from lamp/lens.
- ✓ Do not operate in close proximity to persons, combustible materials or substances affected by heat or drying.

- ✓ Never connect components under load.
- ✓ Do not mount or support these fixtures in a manner that can cut the outer jacket or damage wire insulation.
- ✓ Controls for dimming, auto-sensing, or remote control of a luminaire that are not factory-wired to the luminaire must be checked for compatibility with the luminaire prior to installation. LED fixtures must be powered directly off a switched circuit.
- ✓ Unless individual product specifications deem otherwise: Do not restrict fixture ventilation. Allow for some volume of airspace around fixture. Avoid covering LED fixtures with insulation, foam, or other material that will prevent convection or conduction cooling.
- ✓ Unless individual product specifications deem otherwise: Do not exceed fixtures maximum ambient temperature.
- ✓ Only use fixture in its intended location.
- ✓ LED products are Polarity Sensitive. Ensure proper Polarity before installation.
- ✓ Electrostatic Discharge (ESD): ESD can damage LED fixtures. Personal grounding equipment must be worn during all installation or servicing of the unit.
- ✓ Do not touch individual electrical components as this can cause ESD, shorten lamp life, or alter performance.
- ✓ Some components inside the fixture may not be serviceable. In the unlikely event your unit may require service, stop using the unit immediately and contact an ABL representative for assistance.
- ✓ Always read the fixtures complete installation instructions prior to installation for any additional fixture specific warnings.
- ✓ Always ensure that the electrical distribution system is up to NEC (and any applicable local code) requirements.
- ✓ Verify that power distribution system has proper grounding. Lack of proper earth ground can lead to fixture failure and may void warranty.

Choose either Part 15 OR Part 18 and move to Page 3 Installation Instructions under Delivery. Lithonia Outdoor will always use Part 15. All luminaires that contain electronic devices that generate frequencies above 9kHz from any component within the luminaire comply with Part 15 of the FCC Rules. Operation is subject to the following two conditions:

- (1) This device may not cause harmful interference
- (2) This device must accept any interference received, including interference that may cause undesired operation

This device complies with Part 18 of the FCC Rules but may cause interference with cordless and cell phones, radios, televisions, and other electronic devices. To correct the problem, move the device away from the luminaire or plug into a different outlet. This product may cause interference to radio equipment and should not be installed near maritime safety communications equipment or other critical navigation or communications equipment operating between 0.45-30MHz.

Failure to follow any of these instructions could void product warranties. For a complete listing of product Terms and Conditions, please visit www.acuitybrands.com.

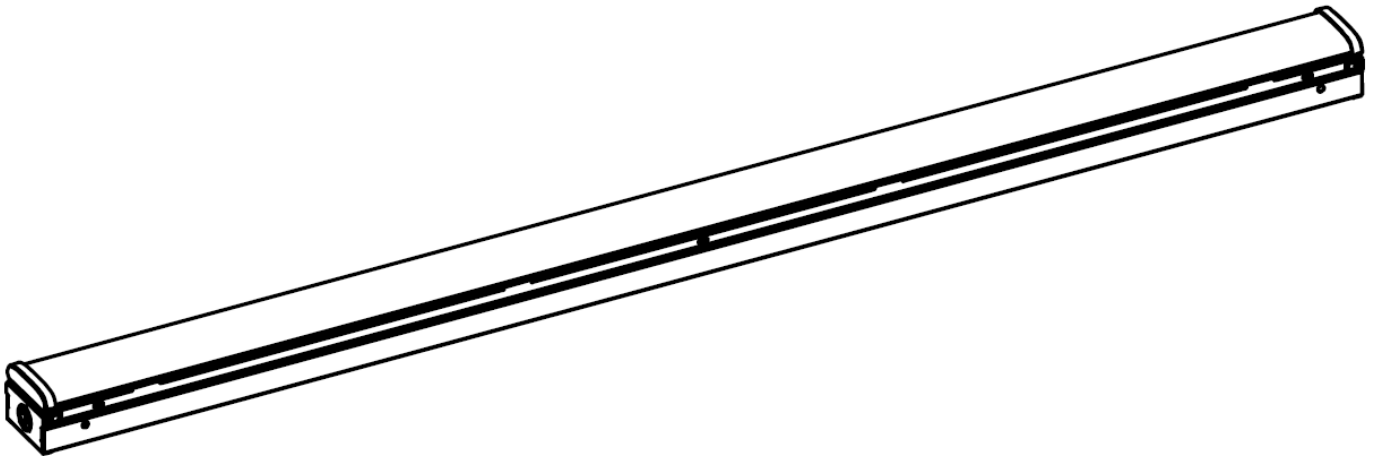
Our Brands	Indoor/Outdoor Lithonia Lighting Carandini Holophane RELOC Light Concepts	Indoor Lighting Gotham Mark Architectural Lighting Peerless Renaissance Lighting Winona Lighting	Outdoor Lighting American Electric Lighting Antique Street Lamps Hydrel Tersen	Controls DARK TO LIGHT LC&D ROAM Sensor Switch Synergy	Daylighting SunOptics
------------	--	---	--	---	--------------------------

Acuity Brands Lighting, Inc. assumes no responsibility for claims arising out of improper or careless installation or handling of its products.
ABL LED General Warnings, Form No. 503.203

© 2010, 2016 Acuity Brands Lighting, Inc. All rights reserved. 12/01/10

CSS

Contractor Single Strip LED Luminaire Installation Instructions

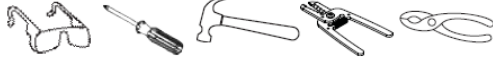


When handling the fixture during unpacking and installation take precautions of the plastic Lens and plastic end caps. Dropping the fixture or excess force on the end caps or lens can cause damage.

Removing the lens from the Wireway Cover Assembly during installation exposes the LED's and puts them at risk for damage. Damage to the LEDs caused during installation will not be covered under the warranty.

INSTALLATION FIGURES

REQUIRED TOOLS
HERRAMIENTAS REQUERIDAS
OUTILS REQUIS



FIXTURE PACKING LIST

Description	Quantity
1) Housing Assembly	1
2) Wireway Cover Assembly	1
2) Wireway Cover Assembly (L96).....	2
3) LED Driver	1
4) Wirenuts*	3
5) Alignment Bracket*	1
6) Bracket Screw*	2

*Contained in Part Packs

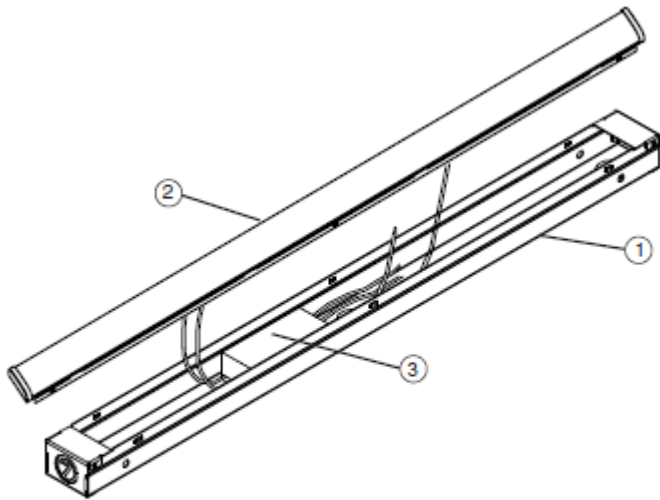


Figure 1

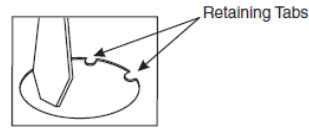


Figure 2

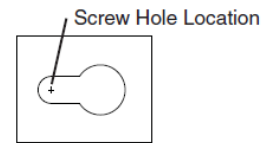


Figure 3

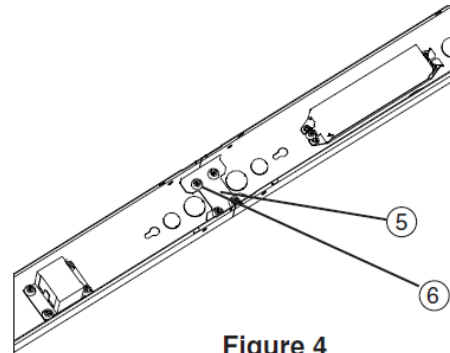


Figure 4

STEP-BY-STEP GUIDE

1. Remove fixture components and parts pack(s). Check that all parts are included. **See Fig. 1.**

Note: Turn off power at circuit breaker box!

2. **Remove Wireway Cover Assembly (2) by lifting upward** on exposed edges of part. Start in the middle and work outward. Disconnect Wireway Cover Assembly from Housing Assembly.
3. **Determine appropriate knockout** on Housing assembly (1) for removal in relationship to incoming power supply. (Knockouts are located on each end and back of the fixture.)

To remove knockouts:

Place standard screwdriver on edge of circle (on opposite side from retaining tabs) and gently strike with hammer. Grip edge with pliers and flex back and forth until removed. **See Fig. 2.**

4. **If using romex strain relief bushing**, install the bushing into the open hole.
5. **Insert house power supply cable** through open hole or strain relief bushing.
6. **Position the Fixture Housing (1) against** the mounting surface and with a pencil, mark the screw hole locations to be located at the narrow section of the keyholes. **See Fig. 3.**
7. **Using a drill with a 1/16" drill bit**, make two small pilot holes at the marked screw hole locations. If drill bit does not encounter a stud or wood surface, use toggle bolts or suitable fastener depending on structural conditions. If drill bit does encounter wood surface, use #10 wood screw.
8. **Partially install the Mounting Screws.** Position the Fixture Housing against the mounting surface with the screw heads through the keyhole mounting holes. Slide the fixture until the screw heads are through the narrow section of the key holes. Finish tightening the screws to secure the fixture against the mounting surface.

CONTINUOUS ROW MOUNTING

9. **Remove wireway cover** and end caps. Ensure the ends of the continuous row fixture have end caps replaced.
10. **Attach continuous row bracket (9)** as seen in Figure 4.

11. **Ensure all electrical connections are made** and replace wireway covers.

WIRING AND FIXTURE OPERATION CAUTION:

Connect fixture to supply wires rated for at least 90°C (194°F).

Do not use fixture on dimming circuits.

12. **Cut supply cable to desired length.** Strip black and white wire leads with wire strippers to expose 3/8"-7/16" of bare metal.
13. **Using Wirenuts, connect supply** (house) wires to fixture wires - white to white, black to black, and green to green or bare copper ground wire.
14. **Bundle wires in tight grouping to be out of** the way and reinstall Wireway Cover assembly (2)

Trouble Shooting Guide

If this fixture fails to operate properly, use the guide below to diagnose and correct the problem.

- Verify that fixture is wired properly.
- Verify that fixture is grounded correctly.
- The line voltage at the fixture is correct.

If further assistance is required, contact:

Technical Support at: (800) 705-7378

If servicing fixture:

- For driver replacement see steps 2 and 11.
- For LED replacement see step 2 and note that entire Wireway Cover Assembly will be replaced.

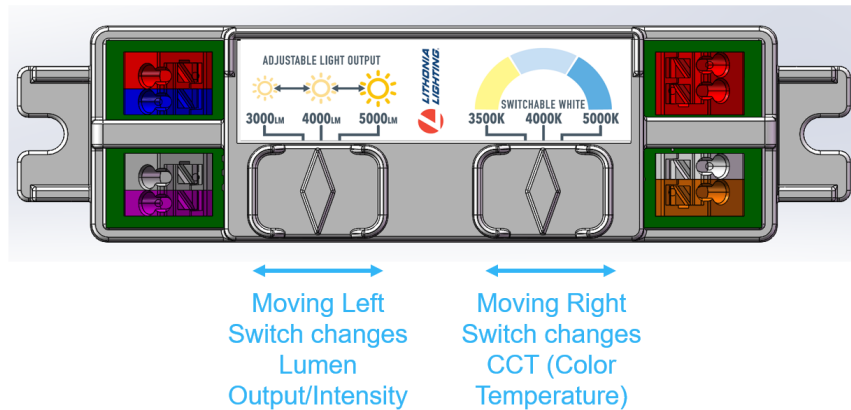
Switchable Settings



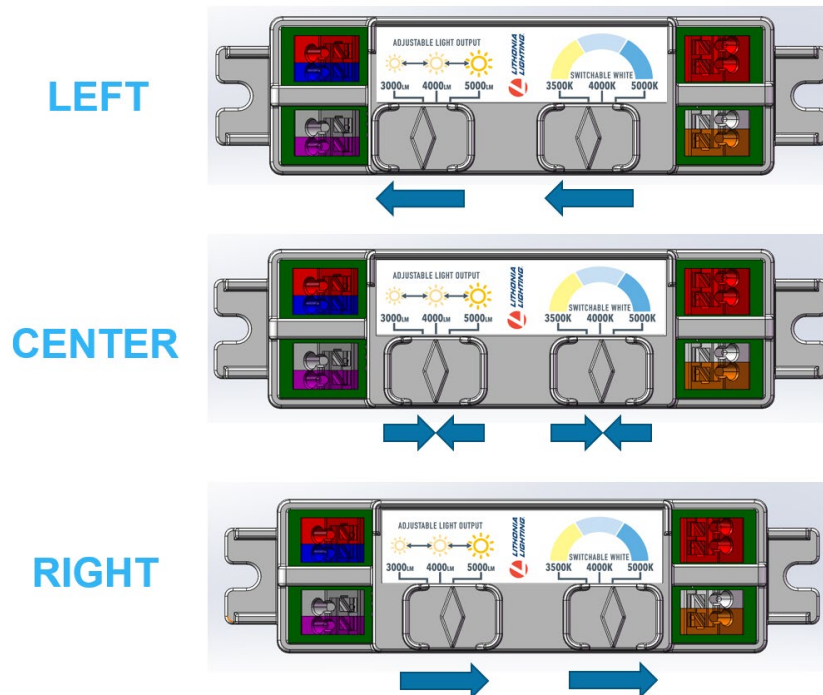
WARNING: RISK OF ELECTRIC SHOCK

- ✓ Disconnect power before adjusting color temperature or intensity switches.

Switchable Option



Switch Positions



LED IMPORTANT SAFETY INSTRUCTIONS



WARNING: RISK OF ELECTRIC SHOCK

- ✓ Disconnect power before adjusting color temperature or intensity switches.

Switch Settings

Example: If 4000LM and 4000K is desired then both switches would be moved to the Center positions.

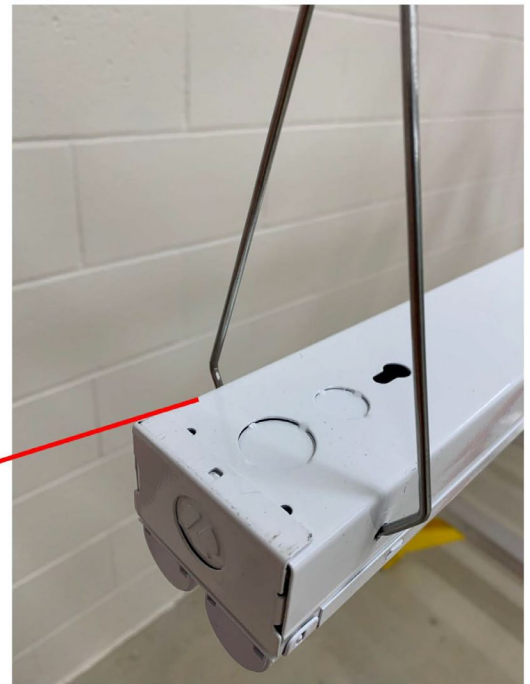
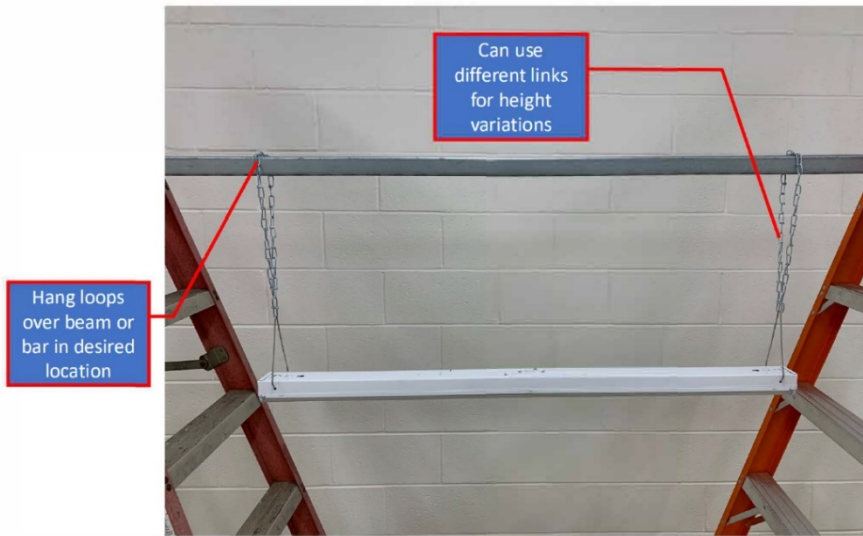
For all possible settings and combinations see the table below.

4ft Lumens	8ft Lumens	Left Switch	Right Switch	CCT
3000LM	6000LM	Left	Left	3500K
4000LM	8000LM	Center	Left	3500K
5000LM	10000LM	Right	Left	3500K
3000LM	6000LM	Left	Center	4000K
4000LM	8000LM	Center	Center	4000K
5000LM	10000LM	Right	Center	4000K
3000LM	6000LM	Left	Right	5000K
4000LM	8000LM	Center	Right	5000K
5000LM	10000LM	Right	Right	5000K

Optional HC36 Hanger Chain

CHAIN HANGER INSTALLATION VISUAL

For Optional HC36 Hanger Chain



Warranty terms are located at the link below:
<http://www.acuitybrands.com/resources/terms-and-conditions>