

**READ AND FOLLOW ALL SAFETY INSTRUCTIONS!  
SAVE THESE INSTRUCTIONS AND DELIVER TO OWNER AFTER INSTALLATION**

- To reduce the risk of death, personal injury or property damage from fire, electric shock, falling parts, cuts/abrasions, and other hazards please read all warnings and instructions included with and on the fixture box and all fixture labels.
- Before installing, servicing, or performing routine maintenance upon this equipment, follow these general precautions.
- Installation and service of luminaires should be performed by a **qualified licensed electrician**.
- Maintenance of the luminaires should be performed by person(s) familiar with the luminaires' construction and operation and any hazards involved. Regular fixture maintenance programs are recommended.
- It will occasionally be necessary to clean the outside of the refractor/lens. Frequency of cleaning will depend on ambient dirt level and minimum light output which is acceptable to user. Refractor/lens should be washed in a solution of warm water and any mild, non-abrasive household detergent, rinsed with clean water and wiped dry. Should optical assembly become dirty on the inside, wipe refractor/lens and clean in above manner, replacing damaged gaskets as necessary.
- **DO NOT INSTALL DAMAGED PRODUCT!** This luminaire has been properly packed so that no parts should have been damaged during transit. Inspect to confirm. Any part damaged or broken during or after assembly should be replaced.
- Recycle: For information on how to recycle LED electronic products, please visit [www.epa.gov](http://www.epa.gov).
- These instructions do not purport to cover all details or variations in equipment nor to provide every possible contingency to meet in connection with installation, operation, or maintenance. Should further information be desired or should particular problems arise which are not covered sufficiently for the purchaser's or owner's purposes, this matter should be referred to Acuity Brands Lighting, Inc.



**WARNING  
RISK OF ELECTRIC SHOCK**

- ✓ Disconnect or turn off power before installation or servicing.
- ✓ Verify that supply voltage is correct by comparing it with the luminaire label information.
- ✓ Make all electrical and grounded connections in accordance with the National Electrical Code (NEC) and any applicable local code requirements.
- ✓ All wiring connections should be capped with UL approved recognized wire connectors.



**WARNING  
RISK OF BURN**

- ✓ Allow lamp/fixture to cool before handling. Do not touch enclosure or light source.
- ✓ Do not exceed maximum wattage marked on luminaire label.
- ✓ Follow all manufacturer's warnings, recommendations and restrictions for: driver type, burning position, mounting locations/methods, replacement and recycling.



**CAUTION  
RISK OF INJURY**

- ✓ Wear gloves and safety glasses at all times when removing luminaire from carton, installing, servicing or performing maintenance.
- ✓ Avoid direct eye exposure to the light source while it is on.



**CAUTION  
RISK OF FIRE**

- ✓ Keep combustible and other materials that can burn, away from lamp/lens.
- ✓ Do not operate in close proximity to persons, combustible materials or substances affected by heat or drying.



**CAUTION: RISK OF PRODUCT DAMAGE**

- ✓ Never connect components under load.
- ✓ Do not mount or support these fixtures in a manner that can cut the outer jacket or damage wire insulation.
- ✓ Unless individual product specifications deem otherwise: Never connect an LED product directly to a dimmer packs, occupancy sensors, timing devices, or other related control devices. LED fixtures must be powered directly off a switched circuit.
- ✓ Unless individual product specifications deem otherwise: Do not restrict fixture ventilation. Allow for some volume of airspace around fixture. Avoid covering LED fixtures with insulation, foam, or other material that will prevent convection or conduction cooling.
- ✓ Unless individual product specifications deem otherwise: Do not exceed fixtures maximum ambient temperature.
- ✓ Only use fixture in its intended location.
- ✓ LED products are Polarity Sensitive. Ensure proper Polarity before installation.
- ✓ Electrostatic Discharge (ESD): ESD can damage LED fixtures. Personal grounding equipment must be worn during all installation or servicing of the unit.
- ✓ Do not touch individual electrical components as this can cause ESD, shorten lamp life, or alter performance.
- ✓ Some components inside the fixture may not be serviceable. In the unlikely event your unit may require service, stop using the unit immediately and contact an ABL representative for assistance.
- ✓ Always read the fixtures complete installation instructions prior to installation for any additional fixture specific warnings.

**Please see product specific installation instructions for additional warnings or any applicable FCC or other regulatory statements.**

**Failure to follow any of these instructions could void product warranties. For a complete listing of product Terms and Conditions, please visit [www.acuitybrands.com](http://www.acuitybrands.com).**

|   |   |   |   |                                  |
|---|---|---|---|----------------------------------|
| <p><b>Our Brands</b></p> <p>Indoor/Outdoor<br/>Lithonia Lighting<br/>Carandini<br/>Holophane<br/>RELOC<br/>Light Concepts</p> | <p>Indoor Lighting<br/>Gotham<br/>Mark Architectural Lighting<br/>Peerless<br/>Renaissance Lighting<br/>Winona Lighting</p> | <p>Outdoor Lighting<br/>American Electric Lighting<br/>Antique Street Lamps<br/>Hydrel<br/>Tersen</p> | <p>Controls<br/>DARK TO LIGHT<br/>LC&amp;D<br/>ROAM<br/>Sensor Switch<br/>Synergy</p> | <p>Daylighting<br/>SunOptics</p> |
|---|---|---|---|----------------------------------|

**Acuity Brands Lighting, Inc. assumes no responsibility for claims arising out of improper or careless installation or handling of its products.**

ABL LED General Warnings, Form No. 503.203

© 2010 Acuity Brands Lighting, Inc. All rights reserved. 12/01/10

**THIS PRODUCT MUST BE INSTALLED IN ACCORDANCE WITH THE APPLICABLE INSTALLATION CODE BY A PERSON FAMILIAR WITH THE CONSTRUCTION AND OPERATION OF THE PRODUCT AND THE HAZARDS INVOLVED**

**CE PRODUIT DOIT ÊTRE INSTALLÉ SELON LE CODE D'INSTALLATION PERTINENT, PAR UNE PERSONNE QUI CONNAÎT BIEN LE PRODUIT ET SON FONCTIONNEMENT AINSI QUE LES RISQUES INHÉRENTS**

## Installation Instructions

**\*\*Caution: MAKE SURE LUMINAIRE IS MOUNTED TO A SECURE T-BAR CEILING STRUCTURE. USE APPROPRIATE MOUNTING HARDWARE TO INSTALL FIXTURE RATED FOR YOUR APPLICATION. FAILURE TO MOUNT FIXTURE CORRECTLY COULD RESULT IN SERIOUS INJURY.**

**ABOVE CEILING ACCESS REQUIRED. KEEP THESE INSTALLATION INSTRUCTIONS / CONSERVEZ CES INSTRUCTIONS D'INSTALLATION**

1. Leave carton endcaps on fixture, for protection, until installation has begun. (See Figure 1)



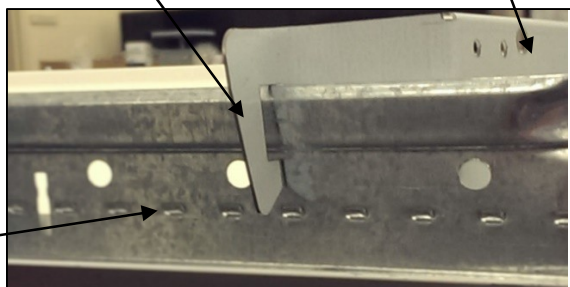
*Figure 1: Protective Endcaps*

2. Remove carton endcaps and place the fixture in the appropriate T-Bar ceiling structure.
3. Bend the built in T-Bar clips over the T-Bar ceiling to secure the fixture to the T-Bar ceiling or use hanger wire hole as shown in Figure 2.

If using LATC clips, attach the LATC clips using the provided screws after the fixture is placed in the grid as shown in Figure 3.

BEND OUT HOOK 90 DEG. TO  
ENGAGE T-BAR ALL (4) CORNERS

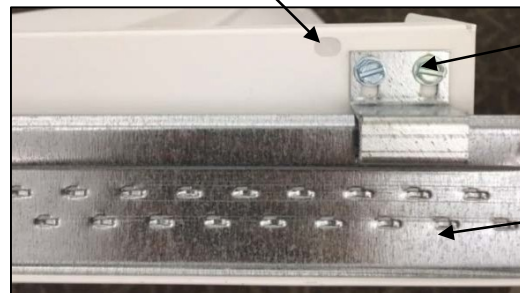
HANGER WIRE ATTACH POINT



*Figure 2: Built In T-Bar Clip*

HANGER WIRE ATTACH POINT

ONCE FIXTURE IS IN  
GRID, ATTACH LATC  
CLIPS (4) USING  
PROVIDED SCREWS  
(maximum 17 in-lbs)



STANDARD 1 1/2"  
T-BAR

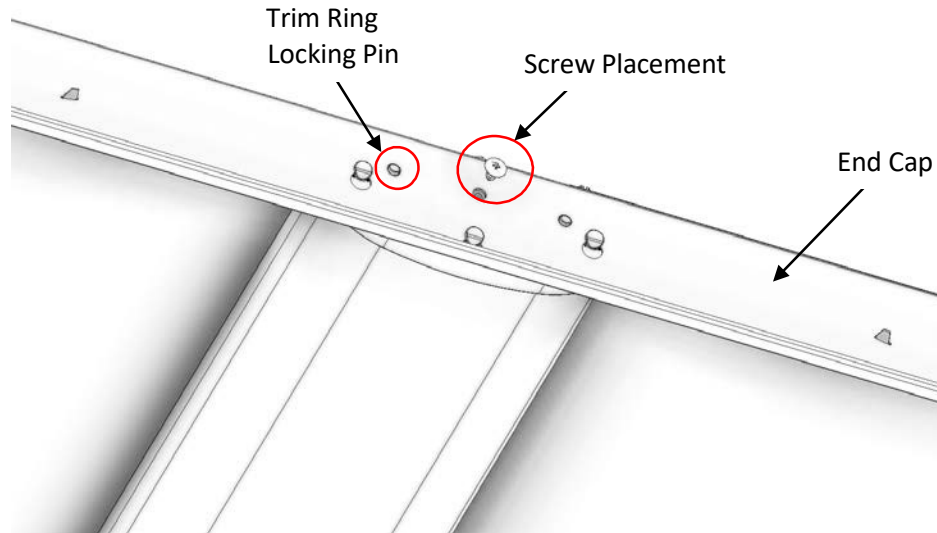
*Figure 3: LATC Installation  
(ORDERABLE OPTION)*

## Cleaning the Diffuser

- Cleaning of the outside of the diffuser can be done with a soft cloth and water.
- The diffuser does not require removal and can be cleaned from the outside. However, if maintenance of LEDs is required, the diffuser is removable.

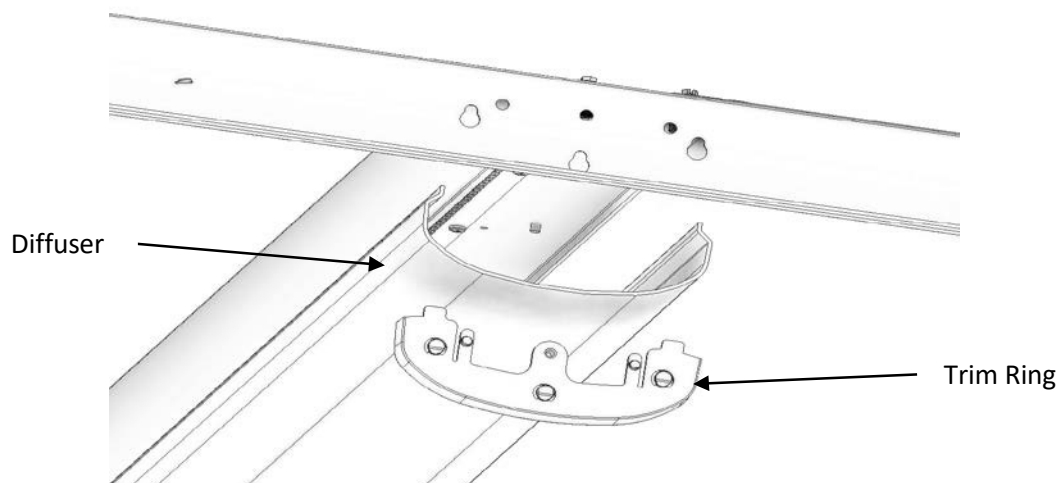
### Diffuser Removal

1. Locate screw on the end cap of the fixture. This will require above grid access.



2. Remove and retain screw. Press Trim Ring Locking Pins in towards the diffuser. Pull Trim Ring down and away from End Cap while Trim Ring Locking Pins are depressed. Trim ring will disengage from endcap and can be removed.

**NOTE: Do not attempt to remove Diffuser if screw is covered with aluminum tape. Aluminum tape is used on BLT IP5X fixtures and removing the tape may allow ingress of bugs or dust into the optical chamber.**

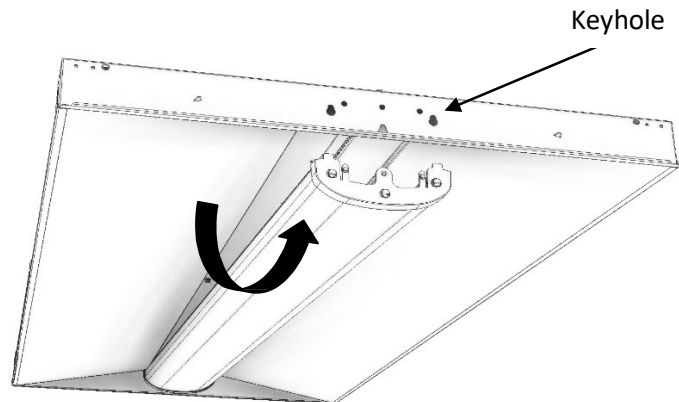


3. Set aside removed trim ring; it will be re-used. Grasp the end of the Diffuser where the Trim Ring was removed and angle down and away from fixture to remove.

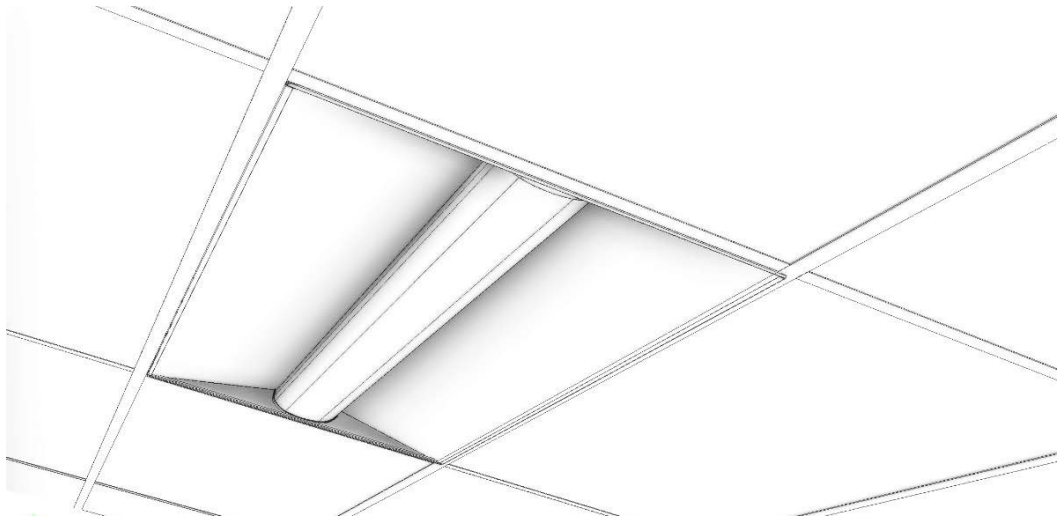
**NOTE: The other Trim Ring should remain installed for any necessary maintenance.**

**Diffuser Installation**

1. To re-install the Diffuser after maintenance, slide Diffuser into Trim Ring that remained in the fixture.
2. Place the second Trim Ring on the end of the Diffuser and rotate up into the End Cap.



3. Push Trim Ring against End Cap and align keyholes. Push upwards until you hear a snap. Replace the Locking Screw into the End Cap.



**SAVE THESE INSTRUCTIONS**



**Importado por:  
Holophane, S.A. de C.V.**

Av, La Silla #7711  
Parque Industrial La Silla  
Guadalupe, N.L. C.P. 67193  
Tel: 52-81-8318-0460

## **LUMINARIOS**

**Marcas: Lithonia Lighting**

**PRECAUCION:** Por su seguridad y el funcionamiento adecuado del luminario, **lea cuidadosamente las siguientes instrucciones antes de empezar la instalación.**

**Este instructivo aplica a todos los luminarios de Lithonia Lighting para uso interior y/o exterior. El número de catálogo específico, y sus características eléctricas, se encuentran en la etiqueta del producto.**

1. Desconecte la alimentación eléctrica de la caja de fusibles antes de instalar el luminario.
2. Abra el luminario para tener acceso a los cables de conexión.
3. Monte el luminario en la ubicación deseada, y asegúrela utilizando dispositivos mecánicos adecuados.
4. Utilizando capuchones aislantes, conecte los cables del luminario. Si el luminario tiene un cable blanco y uno negro, conecte el blanco al neutro del circuito de alimentación y el negro a la "línea", aterrice el luminario. En el caso de equipos con mas cables de conexión, identifique el adecuado a la línea de alimentación (todas vienen marcadas con etiquetas) y conéctela a la "línea" de la alimentación, conecte la punta marcada con "com" al neutro de la alimentación. Asegúrese de aislar perfectamente los cables que no utilizo.
5. En los casos en que aplique, reinstale la cubierta del balastro o controlador.
6. Reestablezca la alimentación eléctrica en la caja de fusibles y verifique la operación del luminario.

***GUARDE ESTAS INSTRUCCIONES***