

Catalog Number	
Notes	Type

## FEATURES & SPECIFICATIONS

1-3/4" deep design uses T8 or T12 lamps.  
 Ideal for work stations and under cabinets, unit or row mounting.  
 Low brightness, linear prism acrylic lens standard.  
 Convenience outlet and on/off rocker switch available.  
 Diffuser snaps easily into fixture body flanges.

**Certain airborne contaminants can diminish integrity of acrylic. [Click here for Acrylic Environmental Compatibility table for suitable uses.](#)**

**BALLAST** — Thermally-protected, resetting, Class P, HPF, non-PCB, UL listed ballast is standard on all T8 and T12 30W and 40W fixtures. Sound rating A. Standard combinations are CBM approved.

**WIRING & ELECTRICAL** — Fixture bears UL label and is suitable for damp locations. AWM, TFN or THHN wire used throughout, rated for required temperatures.

**MATERIALS** — Metal parts manufactured from code gauge steel. Diffuser is 100% acrylic. No asbestos is used in this product.

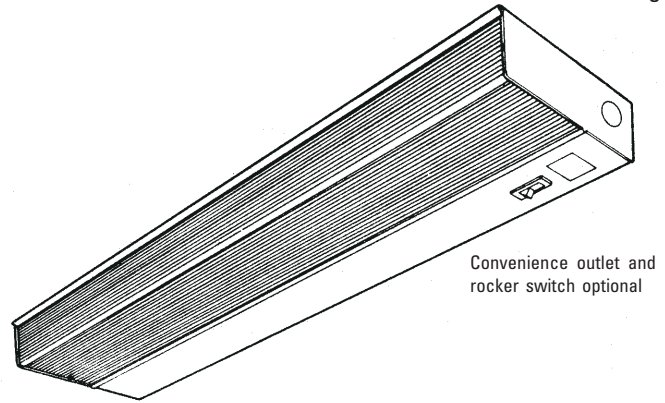
**FINISH** — Five-stage iron-phosphate pretreatment ensures superior paint adhesion and rust resistance. High gloss, baked white enamel finish.

**LISTING** — UL listed. Labeled I.B.E.W.—A.F. of L.

Fixture guaranteed for one year against mechanical defects in manufacture. Specifications subject to change without notice.

## Undercabinet Light 2UC

T5, T8 or T12 Lamps  
4 Lengths



Convenience outlet and rocker switch optional

## ORDERING INFORMATION

Lead times will vary depending on options selected. Consult with your sales representative.

Example: 2UC 1 25 MVOLT

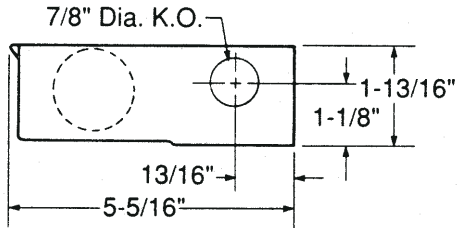
Series	Number of lamps	Lamp type/wattage	Lens	Voltage	Options
2UC	1 Not included.	15 Nominal 15W T12 (18") <sup>1,2,3</sup> 17 Nominal 17W T8 (24") 25 Nominal 25W T8 (36") 32 Nominal 32W T8 (48") 14T5 Nominal 14W T5 <sup>4</sup> 21T5 Nominal 21W T5 <sup>4</sup> 28T5 Nominal 28W T5 <sup>4</sup>	(blank) Acrylic, milk white AR High impact resistant acrylic	120 277 347 MVOLT Others available, Consult factory.	LP Cool white lamps (installed) SWR Rocker switch (120V only) CO Convenience outlet (120V only) CSA Labeled for shipment to Canada GLR Internal fast blow fuse GEB Electronic ballast, ≤ 20% THD GEB10IS Instant start electronic ballast, ≤ 10% THD GEB10PS Program start electronic ballast, ≤ 10% THD

**NOTES:**

- Low power factor ballast (LPF) standard. High power factor and electronic ballast (HPF) optional. HPF, LPF or GEB must be specified in options box.
- 277V configurations must be ordered with electronic ballast.
- 15W not available with MVOLT.
- T5 configurations require GEB10PS.

# 2UC Undercabinet Light

## MOUNTING DATA



## DIMENSIONS

Inches (centimeters). Subject to change without notice.

