

Catalog Number
Notes
Type

## FEATURES & SPECIFICATIONS

**INTENDED USE** — The OneUp™ recessed direct-wire LED downlight includes integrated junction box, trim, pre-installed non-metallic push-in connectors, and wago connectors in one package. The OneUp is the most economical means to create a well lit environment with exceptional energy efficiency and near zero maintenance.

**CONSTRUCTION** — Aluminum die cast, square baffle trim. Integrated galvanized steel junction box with captive door for easy access. Suitable for daisy chaining (pulling wires). Available in 3000K color temperature LEDs.

**OPTICS** — Square baffle recesses optical system into the ceiling to prevent glare and provide a traditional look. Diffused lens provides even light distribution for general illumination, equivalent to 65W incandescent flood lamp. Wide flood beam angle at >90°. CRI >90. Maintains at least 70% light output for 50,000 hours.

**INSTALLATION** — Tool-less installation. Secure trim retention with two side-mounted spring clips for easy installation in plaster, sheet rock, or plywood ceilings. Two non-metallic push-in connectors and three wago connectors pre-installed. Rated for Type IC installations. Maximum of 4 No. 12AWG through branch circuit conductor suitable for 90°C permitted in box. Ground wire provided.

**ELECTRICAL SYSTEM** — LED module with high-efficiency on board driver. Dimming down to 10%. For compatible dimmers, refer to: Compatible dimmers Chart.

Actual wattage may differ by +/-5% when operating at 120V +/-10%.

**LISTINGS** — ETL certified to US and Canadian safety standards. Can be used to comply with California Title 24 Part 6 High Efficacy LED Light Source Requirements. WSEC ASTEM E283 for Air-Tight rated with gasket or caulking between fixture trim and ceiling. ENERGY STAR® certified. Wet location listed\*. Indoor damp location only for items in Brushed Nickel finish.

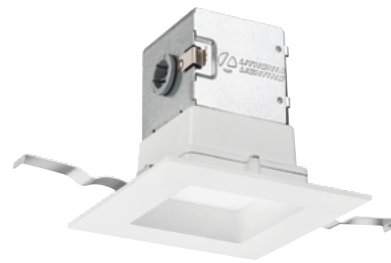
**WARRANTY** — 5-year limited warranty. Complete warranty terms located at: [www.acuitybrands.com/CustomerResources/Terms\\_and\\_conditions.aspx](http://www.acuitybrands.com/CustomerResources/Terms_and_conditions.aspx)

**Note:** Actual performance may differ as a result of end-user environment and application. All values are design or typical values, measured under laboratory conditions at 25 °C. Specifications subject to change without notice.

Direct-Wire LED Recessed Downlight

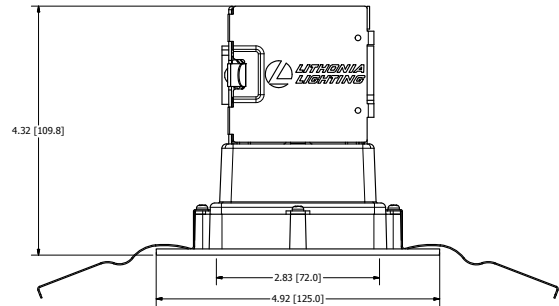
# 4JBK SQ

IC Remodel



Brushed nickel

Specifications	
Aperture:	2-13/16" (72.0)
Overlap Trim:	5" (125.0)
Height:	4-3/8" (109.7)
Ceiling Opening:	4-5/8" (117)
Min Ceiling Thickness:	1/2" (12.7)
Max Ceiling Thickness:	1-1/2" (38.1)
All dimensions are inches (millimeters).	



### ORDERING INFORMATION

For shortest lead times, configure product using **standard options (shown in bold)**.

**Example:** 4JBK SQ 30K 90CRI BN

Series	Shape	CCT/Watts/Lumens <sup>1</sup>	CRI	Finish
4JBK	<b>SQ</b> Square	<b>30K</b> 3000K/9W/625L	<b>90CRI</b> 90 CRI	<b>MW</b> Matte White <b>BN</b> Brushed Nickel <sup>2</sup>

#### Notes

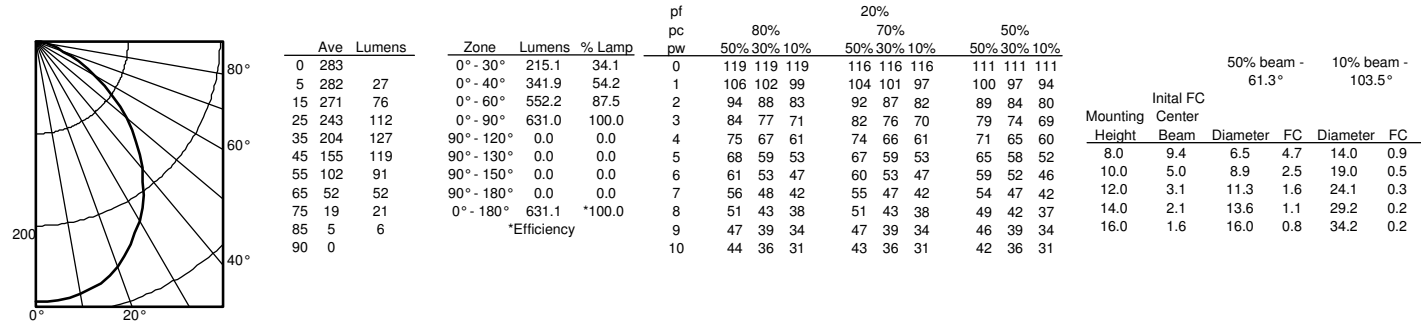
- Total System Delivered Lumens.
- Indoor damp location only for items in Brushed Nickel Finish.

# 4JBK SQ OneUP™ Direct Wire LED

## PHOTOMETRICS

Distribution Curve	Distribution Data	Output Data	Coefficient of Utilization	Illuminance Data at 30" Above Floor for a Single Luminaire
--------------------	-------------------	-------------	----------------------------	--

4JBK SQ 30K, 3000 K LEDs, input watts: 8.92, delivered lumens: 631.5, LM/W=70.79, test no. ISF 35168



## ENERGY DATA & DIMMER COMPATIBILITY

4" ENERGY DATA - 3000K	
Lumens	625
Color temperature	3000K
CRI	90
Lumens/Watt	69.44
Min. starting temperature	-18° C (0° F)
EMI/RFI	FCC Title 47 CFR, Part 15, Class B
Sound rating	Class A standards
Input voltage	120V AC
Total Harmonic Distortion	5.56
Min. power factor	0.9
Input frequency	50/60 Hz
Rated wattage	9W
Input power	9W
Input current	0.07A

## LIGHTING FACTS

**LED lighting facts**  
A Program of the U.S. DOE

**Light Output (Lumens)** 625  
**Watts** 9  
**Lumens per Watt (Efficacy)** 69.44

**Color Accuracy**  
Color Rendering Index (CRI) 90

**Light Color**  
Correlated Color Temperature (CCT) 3000 (Bright White)

Warm White | Bright White | Daylight  
2700K | 3000K | 4500K | 6500K

All results are according to IESNA LM-79-2008: Approved Method for the Electrical and Photometric Testing of Solid-State Lighting. The U.S. Department of Energy (DOE) verifies product test data and results.

Visit [www.lightingfacts.com](http://www.lightingfacts.com) for the Label Reference Guide.

Registration Number: NJSM-GFQ33F (7/20/2017)  
Model Number: 4JBK SQ 30K 90CRI  
Type: Luminaire - Downlight