

Catalog Number
Notes
Type

FEATURES & SPECIFICATIONS

INTENDED USE — Ideal for use in applications where smart, energy-efficient fixtures are desired. Typical applications include transit, parking garage, awnings, cold storage, food processing, docks, schools, hospitals, carwashes, natatoriums and exterior environments where moisture or dust is a concern. **Certain airborne contaminants can diminish integrity of acrylic.** [Click here for Acrylic Environmental Compatibility table for suitable uses.](#)

CONSTRUCTION — One-piece 5VA rated fiberglass housing with integral perimeter channel utilizes continuous poured-in-place NEMA 4X gasket. Simple two-piece design consists of housing and optical assembly to streamline installation process. Polymeric latches positively attach to housing and keep from becoming a hindrance during install.

OPTICS — Injection-molded, acrylic lens (.080" thick), provides high impact-resistance comparable to 100% DR. F1 rated for outdoor use, lenses resist breaking, yellowing or becoming brittle over time. UV stabilized polycarbonate diffuser available (.080" thick) in clear or frosted for additional impact strength. Polycarbonate lens is recommend for lower mounting heights where vandal protection is desired.

ELECTRICAL — Tool-less one piece optical assembly combines LEDs and lens into one component. Optical assembly easily connects to housing with plug and play harness, eliminating time consuming wiring connections. LED drivers consumes 40 input watts maximum and offers 1% dimming standard. Integral surge protection tested in accordance with IEEE/ANSI C62.41.2 to industrial standards 6kV/3kA. L85 at 60,000 hours.

INSTALLATION — Two-piece design makes installations faster than ever by simplifying wiring connections. Power connection is easily accommodated through pre-drilled holes at each end, optional wet location fittings available for maximum flexibility.

Stainless steel (#316) surface spring-mounting brackets with bail wires standard (2 included) allow for ceiling, wall or suspended mount.

Swivel stem(provided by others) when pendant mounting. Factory installed junction box option accommodates up to 4X4 sized boxes and includes integrated gasket to maintain wet location listings.

Quick Mount Bracket (QMB) ships installed on fixture and is recommended for fastest surface mount installs, ideal for end to end installations or larger jobs.

LISTINGS — CSA Certified to UL and C-UL standards for ambient temperatures ranging from -40°F (-40°C) to 104°F (40°C) (see Operational Data chart for actual temperature rating per lumen package). F1 rating makes luminaire suitable for wet locations without covered ceilings. NEMA 4X rated. IP ratings: IP65 and IP66 rated. 1500 PSI hose-down.

NSF listed for Splash Zone II.

DesignLights Consortium® (DLC) qualified product. Not all versions of this product may be DLC qualified. Please check the DLC Qualified Products List at www.designlights.org/QPL to confirm which versions are qualified.

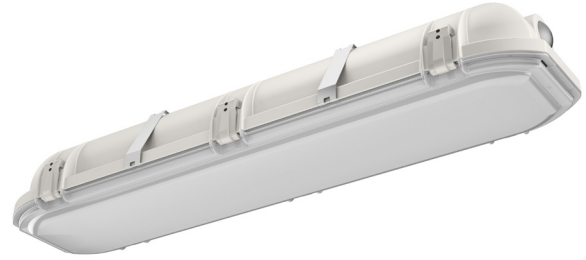
WARRANTY — 5-year limited warranty. Complete warranty terms located at www.acuitybrands.com/CustomerResources/Terms_and_conditions.aspx

Ambient temperatures that exceed 104°F (40°C) will result in reduced life and will void warranty.

Note: Actual performance may differ as a result of end-user environment and application. All values are design or typical values, measured under laboratory conditions at 25 °C. Specifications subject to change without notice.

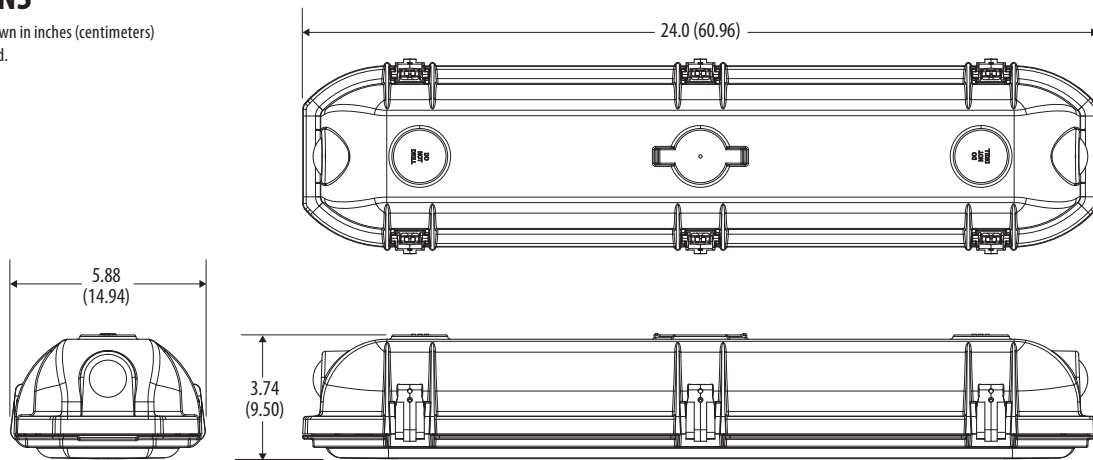
LED Enclosed and Gasketed

DMW2



DIMENSIONS

All dimensions are shown in inches (centimeters) unless otherwise noted.



PHOTOMETRICS

Please see www.lithonia.com.

DMW2 LED Wet Location

ORDERING INFORMATION

Lead times will vary depending on options selected. Consult with your sales representative.

Example: DMW2 L24 4000LM MD PCL MVOLT GZ1 40K 80CRI

Series	Length	Nominal lumens	Diffuser	Distribution	Voltage	Driver	Color temperature	Color rendering index
DMW2 LED wet location	L24 24"	2000LM 2,000 lumens	ACL Acrylic	MD Medium distribution	MVOLT 120-277V	GZ1 1% dimmng	30K 3000 K	80CRI 80 CRI
		3000LM 3,000 lumens	AFL Frosted acrylic		120 120V		35K 3500 K	90CRI 90 CRI
		4000LM 4,000 lumens	PCL Polycarbonate	WD Wide distribution	208 208V	40K 4000 K		
			PFL Frosted Polycarbonate		240 240V	50K 5000 K		
					277 277V			
					347 347V ¹			
					480 480V ¹			

Options					
SF	Single fusing ^{2,3}	CS88	6' Brad Harrison 16/3 cord and straight blade plug set, NEMA 4X rated ^{2,7}	MSI10XAWL10M DSCXAWL	Xpoint wireless integral motion sensor, On/Off operation for motion sensing, override Off due to daylight ^{2,10}
DF	Double fusing ^{2,4}				
PS1050	Emergency LED battery pack for 0°C and up (1400 lumens) ^{2,5}	CS88L12	12' Brad Harrison 16/3 cord and straight blade plug set, NEMA 4X rated ^{2,7}	MSI10NWL	Low mount 360 integral motion sensor, wet location, On/Off operation ^{2,10}
PMP4X	Pendant monopoint with NEMA4X fitting ^{6,7}	CS88R	Brad Harrison receptacle for use with CS88 cord set, NEMA 4X rated ⁷	MSI102L3VWL	Low mount 360 integral motion sensor, wet location, High/Low operation (3 level) ^{2,10}
WLFEND	Wet location fitting (one fitting out end) ^{7,8}	NOM	Nom certified	MSI10NWL DSCNWL	low mount 360 integral motion sensor, wet location, On/Off operation for motion sensing, override Off due to daylight ^{2,10}
WLFEND2	Wet location fitting (fittings out both ends) ^{7,8}	TPS	TorxT10 tamper-resistant screws		
WLFEND4X	Wet location fitting maintains NEMA4x rating (one fitting out end) ^{7,8}	STSL	Stainless steel latches	XAD	XPoint wireless relay ^{2,7,11}
WLFEND24X	Wet location fitting maintains NEMA4X rating (fittings out both ends) ^{7,8}				
JSB	Junction box snap-bracket ^{6,7,9}				
QMB	Quick-mount ceiling bracket				
CS89	6' white cord, 16/3, no plug, wet location ⁷				
CS89L12	12' white cord, 16/3, no plug, wet location ⁷				

Accessories: Order as separate catalog number.	
RK1 T10BIT W/PIN U	Hex-base driver bit, Torx TX10, for tamper-resistant screws with center reject pin
RK1 T10DRV U	Torx TX10 screwdriver for use with tamper-resistant screws with center reject pin
DMW2WLF	Wet location fitting
DMW2QMB	Quick-mount ceiling bracket

Notes

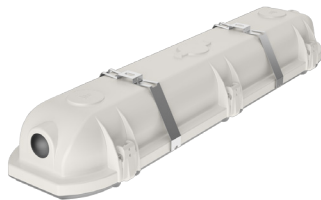
- Utilizes a step down transformer.
- Must specify voltage.
- 120 or 277V.
- 208,240,347, or 480V.
- 120,208,240, or 277V. Not available with cord, XAD, JSB, or PMP4X options. Maximum ambient temperature 25°C.
- Factory installed only. Not field installable.
- Not available with PS1050.
- Not available with cordsets or sensors.
- Not intended for wall mounting. Voids IP65 rating and NSF listing.
- Not available with XAD. Maximum ambient temperature 35°C.
- Minimum ambient temperature -20°C.

DMW2 LED Wet Location

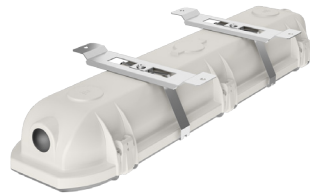
OPERATIONAL DATA						
DMW2, 80CRI Medium	Wattage	Ambient Temperature	Color Temp	Nominal Lumens Frosted Acrylic, 80CRI	Nominal Lumens Clear Acrylic, 80CRI	Comparable Light Source
2000LM	18	-20°C to 40°C	30K	2419	2419	1-32T8 lamp
			35K	2481	2556	
			40K	2536	2612	
			50K	2661	2740	
3000LM	27	-20°C to 40°C	30K	3483	3587	2-32T8 lamps
			35K	2572	3680	
			40K	3651	3761	
			50K	3831	3946	
4000LM	40	-40°C to 40°C	30K	4631	4770	3-32T8 Lamps, 2-54T5H0 lamps
			35K	4751	4893	
			40K	4855	5001	
			50K	5094	5247	

OPTIONS AND ACCESSORIES

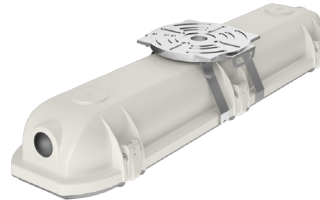
The DMW2 Series fixture offers numerous options for almost every electrical and optical component, including a long list of field-installable accessories.



SMB
Surface mounting bracket
(ships standard with fixture)



QMB
Quick mounting bracket
field installable option order as DMW2QMB



JSB
Junction mounting bracket
(factory installed only)
(Not intended for wall mounting.
Voids IP65 rating.)



PMP4X
Pendant monopoint
(factory installed only)

DMW2 LED Wet Location

OPTIONS AND ACCESSORIES

The DMW2 Series fixture offers numerous options for almost every electrical and optical component, including a long list of field-installable accessories.

SBOR - WET LOCATION Motion Sensor (see www.sensorswitch.com for additional information)

- 360° coverage
- On/Off dim
- Photocell optional
- IP66 rated
- Photocell and 0-10VDC dimming options.

Fixture sensor nomenclature	SBOR sensor nomenclature
For shortest lead times use one of the following SBOR configurations	
MSI10NWL	SBOR 10 OEX EB3 WH
MSI102L3VWL	SBOR 10 OEX D EB3 WH 3V
MSI10NWL DSCNWL	SBOR 10 OEX P EB3 WH



MOTION SENSOR

ORDERING INFORMATION Lead times will vary depending on options selected. Consult with your sales representative. **Example: MSI10NWL**

Series	Lens option	Dimming	Maximum dim level	Environmental factors
MSI Passive infrared occupancy sensor	10 Low mount, 360°	N On/off 2LXX Bi level range ¹ CXX Continuous dim range ¹ XA Xpoint wireless signal to external system	0V Off 1V 1 VDC 2V 2 VDC 3V 3 VDC 4V 4 VDC 5V 5 VDC	WL Wet location

PHOTOCELL

ORDERING INFORMATION Lead times will vary depending on options selected. Consult with your sales representative. **Example: DSCNWL**

Series	Dimming	Environmental factors
DSC Passive infrared occupancy sensor w/photocell	N On/off 2LXX Bi level range ¹ CXX Continuous dim range ¹ XA Xpoint wireless signal to external system	WL Wet location

Notes

1 XX denotes dimming range.(Ex. 3V, 4V, etc.)