



DMW2

Wet Location | Vapor Tight LED Luminaire

We've scaled it down to speed you up.

Easier to Handle, Faster to Install.

Designed by the contractor, for the contractor — the DMW2 gives you all the performance of a traditional 4-foot fluorescent fixture in a smaller, low-profile design optimized for LED. This innovative wet location/vapor tight LED luminaire from Lithonia Lighting® maximizes the benefits of LED technology while providing better uniformity, application versatility, higher on-task light levels and energy-saving controls options for demanding environments.

Small in Size. Big on Benefits.

Easy to Install.

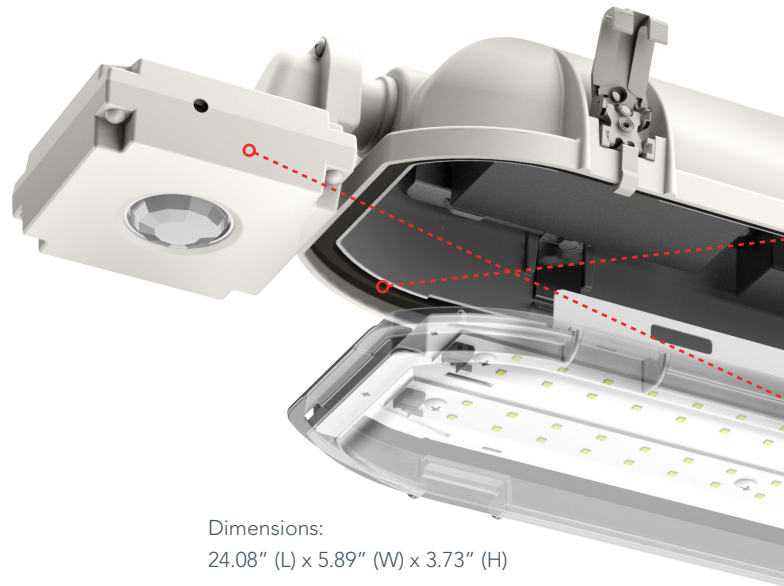
Superior 2-piece, snap-together design for simple one-person installation. The DMW2 requires no tools to dismantle or reassemble. Lightweight, low-profile design and captive latches make handling and balancing during installation, effortless.

Built for Every Application.

Qualifying for more listings than any other fixture offered in its class, the DMW2 LED can be used nearly anywhere. Its low-profile design and multiple lumen packages allow the DMW2 to provide uniform illumination in both tight & open spaces, especially when clearance is a concern.

Affordably Priced.

Price parity between LED and fluorescent has never been so close without sacrificing performance. The DMW2 LED is priced to put you closer to all the advantages that LED lighting has to offer, sooner.



Dimensions:
24.08" (L) x 5.89" (W) x 3.73" (H)

Extreme Adaptability.

Right out of the box, the DMW2 LED is ready for a wide array of applications. A robust set of options takes its versatility to the max to create even greater value.

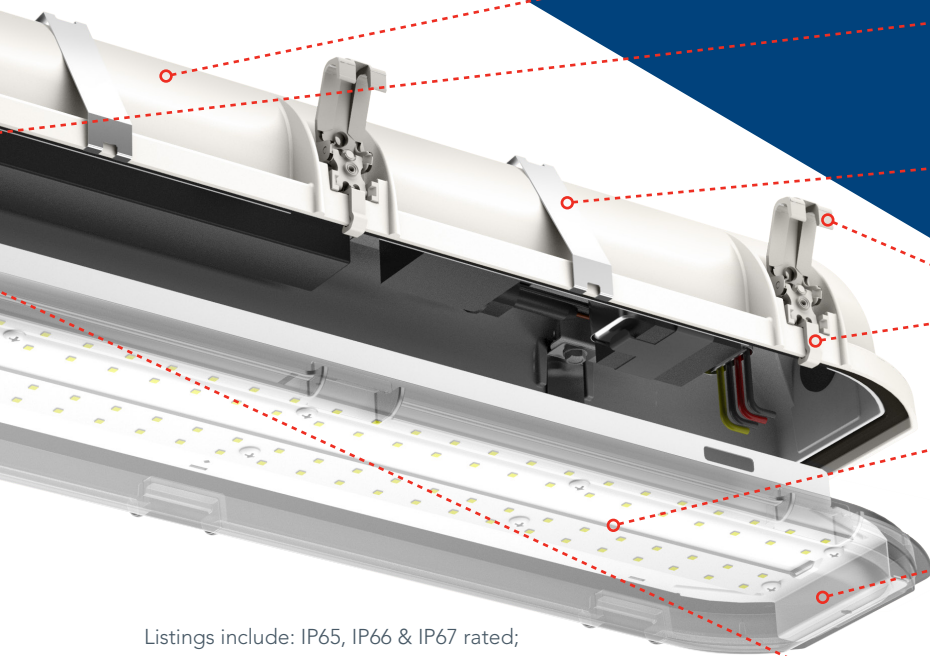
An integral battery-pack option eliminates the need for additional emergency fixtures, remote placement, or use of AC power inverters.

Change lighting characteristics by selecting from a number of lumen packages, color renderings and color temperatures. Select from a number of mounting options and accompanying hardware. Where glare might be a concern, choose a frosted lens over clear acrylic.

Maximize Your Energy Savings.

With integrated Acuity Controls XPoint™ Wireless options, you add even greater levels of energy savings than what you already achieve through the use of highly efficient LEDs. Occupancy sensors, photo sensors and sensor-based dimming controls are also available for use in areas of low or irregular occupancy, such as stairwells or storage closets.

The compact size of the DMW2 defies conventional, "bigger is better" thinking. It's bound to be your new go-to fixture for affordable, general-illumination lighting.



Listings include: IP65, IP66 & IP67 rated; 1500 PSI hose-down; and rated for -40°F (-40°C) to 104°F (40°C) ambient temperatures.

Mounting.

Multiple mounting options add to the versatility of DMW2 LED. Choose from: ceiling mount; wall mount; pendant mount; suspended mount; or, junction box mount.

Maintains IP66 wet location listing when wall mounted!

5VA rated fiberglass housing

maintains ratings without covered canopy

NEMA 4X gasket

ideal for cold storage; won't expand and contract to take on water

Stainless steel mounting brackets

#316 SS resist corrosion and holds up to the most demanding applications

Polymeric or stainless captive latches

stay out of the way during the install

Injection-molded lens

built to withstand impact, clear or frosted

One-piece optical assembly

combined components reduce install time

Simple two-piece design

minimizes components & connections

Integrated Acuity Controls

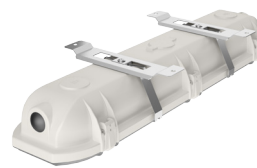
include XPoint™ wireless, occupancy sensors, photocells and dimming controls



Junction-box Snap Bracket (JSB)



Surface/Suspended-mount Bracket



Quick-mount Ceiling Bracket (QMB)



Pendant Mount (PM)

Linear Enclosed and Gasketed Portfolio

Renowned for providing the “Best Value in Lighting”, Lithonia Lighting® provides the most complete portfolio of enclosed and gasketed luminaires in the market.

- Transit Stations
- Awnings/Canopies
- Car Washes
- Parking Garages
- Food-Processing
- Loading Docks
- Garden Centers
- Stairwells and more...

	Application	Features
 <p>FHE</p>	<p>Built to withstand the rigors of demanding environments. Specify in food processing, cold storage or applications with frequent washing or cleaning and higher mounting heights.</p>	<ul style="list-style-type: none"> ■ 9000LM-24000LM ■ Wet location controls, emergency back-up ■ -40°F (-40°C) to 104°F (40°C) ■ 70CRI, 80CRI,90CRI
 <p>VAP</p>	<p>All polycarbonate design provides chemical resistance and stands up to vandalism. Use when durability and aesthetics are a must.</p>	<ul style="list-style-type: none"> ■ 4000LM-12000LM ■ All polycarbonate housing & lens ■ Wet location controls, emergency back-up ■ IP66, NSF listed ■ -40°F (-40°C) to 104°F (40°C)
 <p>DMW2</p>	<p>General illumination luminaire that performs almost anywhere. Use at lower mounting heights and ambient up to 104°F (40°C). L85 @ >65,000 hours. Two-piece design makes installation quick and painless</p>	<ul style="list-style-type: none"> ■ 2000LM, 3000LM, 4000LM ■ 2ft housing-4ft performance ■ Wet location controls, emergency back-up ■ -40°F (-40°C) to 104°F (40°C) ■ IP65, IP66, IP67, 1500 PSI hosedown
 <p>XWM</p>	<p>Contractor Select general task light. Use in narrow spaces or where portable lighting may be needed. Polycarbonate housing and lens provide superior impact strength.</p>	<ul style="list-style-type: none"> ■ 1800 Lumens ■ IP65 ■ L84 >60,000 hours ■ -22°F (-30°C) to 77°F (25°C)

*Please check respective specification sheet for most current LPW. Check the DesignLights Consortium® (DLC) Products List at www.designlights.org for current qualified product.

Lithonia Lighting® is a member of the Acuity Brands portfolio of lighting, controls and daylighting solutions. Lithonia Lighting offers one of the industry's broadest lighting portfolios for commercial and industrial lighting applications. This includes high bays, rough service, strips, wraps, recessed, surface, RELIGHT and retrofit kits. Our LED, fluorescent and HID lighting are recognized for their quality, reliability and solid performance, making Lithonia Lighting the most specified brands in the lighting industry.

Visit www.lithonia.com for more information