

READ AND FOLLOW ALL SAFETY INSTRUCTIONS! SAVE THESE INSTRUCTIONS AND DELIVER TO OWNER AFTER INSTALLATION

- To reduce the risk of death, personal injury or property damage from fire, electric shock, falling parts, cuts/abrasions, and other hazards please read all warnings and instructions included with and on the fixture box and all fixture labels.
- Before installing, servicing, or performing routine maintenance upon this equipment, follow these general precautions.
- Installation and service of luminaires should be performed by a **qualified licensed electrician**.
- Maintenance of the luminaires should be performed by person(s) familiar with the luminaires' construction and operation and any hazards involved. Regular fixture maintenance programs are recommended.
- It will occasionally be necessary to clean the outside of the refractor/lens. Frequency of cleaning will depend on ambient dirt level and minimum light output which is acceptable to user. Refractor/lens should be washed in a solution of warm water and any mild, non-abrasive household detergent, rinsed with clean water and wiped dry. Should optical assembly become dirty on the inside, wipe refractor/lens and clean in above manner, replacing damaged gaskets as necessary.
- **DO NOT INSTALL DAMAGED PRODUCT!** This luminaire has been properly packed so that no parts should have been damaged during transit. Inspect to confirm. Any part damaged or broken during or after assembly should be replaced.
- Recycle: For information on how to recycle LED electronic products, please visit www.epa.gov.
- These instructions do not purport to cover all details or variations in equipment nor to provide every possible contingency to meet in connection with installation, operation, or maintenance. Should further information be desired or should particular problems arise which are not covered sufficiently for the purchaser's or owner's purposes, this matter should be referred to Acuity Brands Lighting, Inc.



WARNING RISK OF ELECTRIC SHOCK

- Disconnect or turn off power before installation or servicing.
- Verify that supply voltage is correct by comparing it with the luminaire label information.
- Make all electrical and grounded connections in accordance with the National Electrical Code (NEC) and any applicable local code requirements.
- All wiring connections should be capped with UL approved recognized wire connectors.



CAUTION RISK OF INJURY

- Wear gloves and safety glasses at all times when removing luminaire from carton, installing, servicing or performing maintenance.
- Avoid direct eye exposure to the light source while it is on.



WARNING RISK OF BURN

- Allow lamp/fixture to cool before handling. Do not touch enclosure or light source.
- Do not exceed maximum wattage marked on luminaire label.
- Follow all manufacturer's warnings, recommendations and restrictions for: driver type, burning position, mounting locations/methods, replacement and recycling.



CAUTION RISK OF FIRE

- Keep combustible and other materials that can burn, away from lamp/lens.
- Do not operate in close proximity to persons, combustible materials or substances affected by heat or drying.



CAUTION: RISK OF PRODUCT DAMAGE

- Never connect components under load.
- Do not mount or support these fixtures in a manner that can cut the outer jacket or damage wire insulation.
- Never connect an LED product to an unapproved dimmer pack. Contact ABL directly for any dimmers not specifically recommended for the product.
- Unless individual product specifications deem otherwise: Allow for some volume of airspace around fixture. Avoid covering LED fixtures with insulation, foam, or other material that will prevent convection or conduction cooling.
- Unless individual product specifications deem otherwise: Maximum ambient temperature is 90°C. Do not operate fixture at temperatures higher than this.
- Unless individual product specifications deem otherwise: Never mount in places where fixture will be exposed to rain, high humidity, extreme temperature changes or restricted ventilation.
- LED products are Polarity Sensitive. Ensure proper Polarity before installation.
- Electrostatic Discharge (ESD): ESD can damage LED fixtures. Personal grounding equipment must be worn during all installation or servicing of the unit.
- Do not touch individual electrical components as this can cause ESD, shorten lamp life, or alter performance.
- There are no user serviceable parts inside the unit. Do not rewire, reconfigure, or modify the unit or attempt any repairs yourself. Additionally, field replacement of the LED assembly or lamps is not allowed by UL standards at this time. In the unlikely event your unit may require service, stop using the unit immediately and contact an ABL representative.

All luminaires that contain electronic devices that generate frequencies above 9kHz from any component within the luminaire comply with one of the following Part 15 of the FCC Rules. Operation is subject to the following two conditions:

- (1) This device may not cause harmful interference
- (2) This device must accept any interference received, including interference that may cause undesired operation.

This device complies with Part 18 of the FCC Rules but may cause interference with cordless and cell phones, radios, televisions, and other electronic devices. To correct the problem move the device away from the luminaire or plug into a different outlet. This product may cause interference to radio equipment and should not be installed near maritime safety communications equipment or other critical navigation or communications equipment operating between 0.45-30MHz.

Failure to follow any of these instructions could void product warranties. For a complete listing of product Terms and Conditions, please visit www.acuitybrands.com.

OUR BRANDS

Indoor/Outdoor: Lithonia Lighting, Garandini, Holophane, RELOC

Indoor Lighting: Gotham, Mark Architectural Lighting, Peerless, Renaissance Lighting, Winona Lighting

Outdoor Lighting: American Electric Lighting, Antique Street Lamps, Hydrel, Tersen

Controls: DARK TO LIGHT, Lighting Control & Design, ROAM, Sensor Switch, Synergy

Acuity Brands Lighting, Inc. assumes no responsibility for claims arising out of improper or careless installation or handling of its products.

ABL LED General Warnings, Form No. 503.203
© 2010 Acuity Brands Lighting, Inc. All rights reserved. 12/01/10

INSTALLATION INSTRUCTIONS

**3" – 3iG iGimbal LED Modules, 4" – 4iG iGimbal LED Modules,
5" – 5iG iGimbal LED Modules, 6" – 6iG iGimbal LED Modules**

WARNING: Prior to installing the fixture, disconnect ALL power supplies to the unit. To prevent wiring damage or abrasions, do not expose wiring to edges of sheet metal or other sharp objects. This module may be installed into TYPE IC or NON-IC installations. For TYPE NON-IC INSTALLATION ONLY: No insulation may be placed over the top of or within 3" (76mm) of the fixture.

The downlight module is accepted as a component of a luminaire where the suitability of the combination shall be determined by CSA or authorities have jurisdiction. The contents of the retrofit kits are:

- LED Module
- Instruction Sheet
- Two Red Splice Connectors
- E26 Adaptor (**included with 5iG and 6iG models only**)

WARNING: RISK OF FIRE OR ELECTRICAL SHOCK. Install this kit only in the luminaires that has the construction features and dimensions shown in the photographs or drawings.

INSTALLATION – 3" AND 4" LED MODULES (Model# 3iG AND 4iG)

Retrofit 3" or 4" Installation with Hardwire Connection Kit:

1. Remove the existing lamp and reflector, leaving the socket hanging freely by the wires
2. Cut existing socket wires inside the recessed can close to the socket, and discard the socket.
3. Remove the socket adapter from the box. Cut both adapter wires close to the socket adapter and away from the orange connector, and discard the socket. Remove the (2) red splice-connectors from the hardwire kit bag. Pair the housing and orange connector wires by color into each red connector. Firmly squeeze the metal U-shaped insert into the wires. Flip the cover closed to secure and insulate the connection. (See Figure 1)

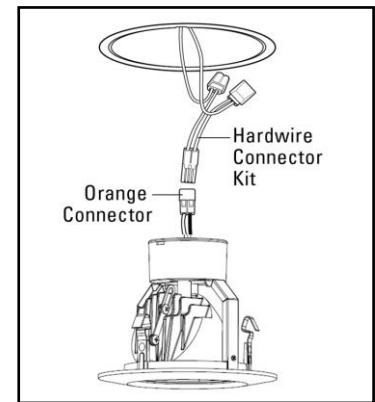


Figure 1

4. While supporting the LED module, plug connector from the module into the mating connector just installed into the recessed can. Push the wires and mated connectors up into the recessed can.
DO NOT LET THE MODULE HANG UNSUPPORTED BY THE ORANGE CONNECTORS. (See Figure 3)
5. Once all connections are complete, gently push the LED trim into the recessed can opening until clips engage inside of can, and the trim is flush with the ceiling surface.

NOTE: If installing into a remodeler-style recessed can with internal ceiling support clips, be sure to offset the trim clips away from the black clips inside can.

6. INSTALLATION COMPLETE.

INSTALLATION INSTRUCTIONS

**3" – 3iG iGimbal LED Modules, 4" – 4iG iGimbal LED Modules,
5" – 5iG iGimbal LED Modules, 6" – 6iG iGimbal LED Modules**

Retrofit 3" and 4" Installation with Socket Adaptor (NOT INCLUDED) into Existing or New Construction Recessed Can:

1. Remove the existing lamp and reflector, leaving the socket hanging freely by the wires.
2. Securely screw socket adaptor into socket inside the can. While supporting the LED module, plug the orange connector of socket adaptor into the LED module's orange connector. (Figure 2)

DO NOT LET THE MODULE HANG UNSUPPORTED BY THE ORANGE CONNECTORS. (Figure 3)

3. Once all connections are complete, gently push the LED trim into the recessed can opening until clips engage inside of can, and the trim is flush with the ceiling surface.

NOTE: If installing into a retrofit-style housing with internal ceiling support clips, be sure to offset the clips on the trim with the clips inside can.

4. INSTALLATION COMPLETE.

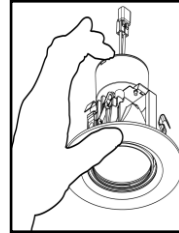


Figure 3

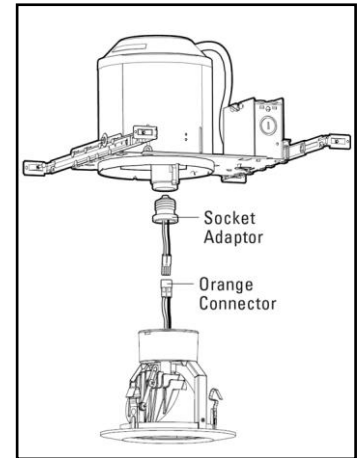


Figure 2

INSTALLATION – 5" AND 6" LED MODULES (Model# 5iG AND 6iG)

Retrofit 5" and 6" Installation with Edison Base Socket Adaptor into Existing or New Construction Recessed Can:

1. Remove the existing lamp and reflector, leaving the socket hanging freely by the wires.

NOTE: If your can does not have (2) torsion spring retention brackets inside, see the "Torsion Spring Adaptor" section prior to going further.

2. Securely screw socket adaptor into socket inside the can. Plug the orange connector of socket adaptor into the LED module's mating orange connector. (Figure 4)

DO NOT LET THE MODULE HANG UNSUPPORTED BY THE ORANGE CONNECTORS. (Figure 5)

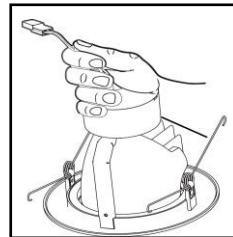


Figure 5

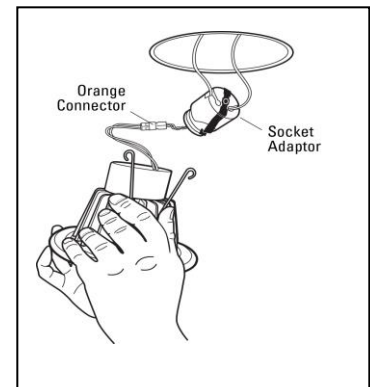


Figure 4

3. Once all connections are complete, squeeze each pair of torsion springs together and seat inside of brackets in fixture. Release springs, and gently push trim into fixture until flush with ceiling. (Figure 6)

4. INSTALLATION COMPLETE.

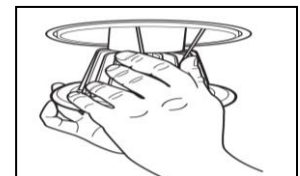


Figure 6

INSTALLATION INSTRUCTIONS

3" – 3iG iGimbal LED Modules, 4" – 4iG iGimbal LED Modules,
5" – 5iG iGimbal LED Modules, 6" – 6iG iGimbal LED Modules

Retrofit 5" and 6" Installation with Hardwire Connection Kit:

1. Remove the existing lamp and reflector, leaving the socket hanging freely by the wires.

NOTE: If your can does not have (2) torsion spring retention brackets inside, see the "Torsion Spring Adapter" section prior to going further.

2. Cut existing socket wires inside the recessed can close to the socket, and discard the socket.
3. Remove the socket adapter from the box. Cut both adapter wires close to the socket adapter and away from the orange connector, and discard the socket. Remove the (2) red splice-connectors from the hardwire kit bag. Pair the housing and orange connector wires by color into each red connector. Firmly squeeze the metal U-shaped insert into the wires. Flip the cover closed to secure and insulate the connection. (See Figure 7)

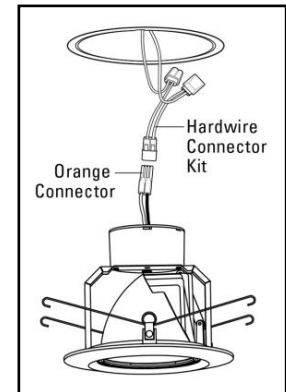


Figure 7

4. Plug orange connector from the module into the mating orange connector just installed into the recessed can. Push the wires and mated connectors up into the recessed can. **DO NOT LET THE MODULE HANG UNSUPPORTED BY THE ORANGE CONNECTORS.** (See Figure 5)
5. Once all connections are complete, squeeze each pair of torsion springs together and place into brackets inside fixture. Releases springs, and gently push trim into fixture until flush with ceiling. (See Figure 6)
6. INSTALLATION COMPLETE.

Torsion Spring Adapter (TSA5 and TSA6 sold separately):

WARNING - RISK OF FIRE OR ELECTRIC SHOCK. Luminaires wiring, power supply, or other electrical parts may be damaged when drilling for installation of retrofit assembly hardware. Inspect wiring and components for damage. Only those open holes indicated in the photographs and/or drawings may be made or altered as a result of kit installation. Do not leave any other open holes in an enclosure of wiring or electrical components.

You may require the TSA5 (5") or TSA6 (6") (Figure 8) option if you are retrofitting an old-style can or a remodeler that does not have torsion spring brackets.

1. Remove the (3) screws around the perimeter inside of your existing can and keep them. **NOTE: IF THERE ARE NO SCREWS TO REMOVE, YOU WILL HAVE TO TEMPORARILY REMOVE CAN FROM CEILING TO DRILL HOLES.**

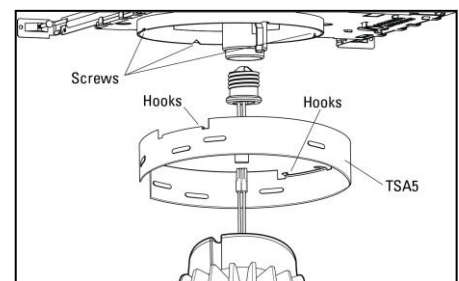


Figure 8

Drilling Holes for TSA5 or TSA6 (Remodeler-Style Cans)

- 1a. Unlock ceiling clips and remove remodeler can from ceiling.
- 1b. Supporting the can while suspended, temporarily insert the TSA5 or TSA6 bracket, hooks upward, inside the can and flush with the edge of the can.
- 1c. Using the TSA5 or TSA6 bracket-slots as a template, mark (3) hole locations with a center punch or writing utensil inside can.
- 1d. Drill three appropriate sized holes to accommodate the (3) screws, and reinstall can into ceiling.

INSTALLATION INSTRUCTIONS

**3" – 3iG iGimbal LED Modules, 4" – 4iG iGimbal LED Modules,
5" – 5iG iGimbal LED Modules, 6" – 6iG iGimbal LED Modules**

2. Reinsert the TSA5 or TSA6 into the can with the hooks facing upward. Line up the slots with the holes and align the bottom of the TSA5 or TSA6 flush with the can.
3. Drive the (3) screws through the TSA5 or TSA6 bracket-slots and into the can to secure into position.
4. Refer back to the "INSTALLATION – 5" and 6" LED MODULE" section for further instruction.

RECOMMENDED DIMMING SWITCHES

The Lithonia LED Modules are compatible with standard incandescent (Triac), electronic low voltage (ELV), and magnetic low voltage (MLV) dimmers. A list of recommended dimmers, to help with your installation, can be found on www.lithonia.com by searching for 3iG, 4iG, 5iG, 6iG. Exclusion from the list does not mean a dimmer will not work in conjunction with our LED modules, just that it has not been tested by Lithonia Lighting. It is also recommended that you contact your specific dimmer manufacturer for any details or concerns since each dimmer and application is unique.

RECESSED CAN COMPATIBILITY

Lithonia's 3" LED iGimbal modules were tested to fit in a minimum enclosure of 3.0" diameter by 5.45" height, while having a maximum diameter (for flange coverage) of 4.10".

Lithonia's 4" LED iGimbal modules were tested to fit in a minimum enclosure of 4" diameter by 5.9" height, while having a maximum diameter (for flange coverage) of 5.15".

Lithonia's 5" LED iGimbal modules were tested to fit in a minimum enclosure of 5" diameter by 5.9" height, with a maximum flange diameter of 6.35".

Lithonia's 6" LED modules were tested to fit in a minimum enclosure of 6" diameter by 7.5" height, with a maximum flange diameter of 7.25".

This was selected to provide fitment into most industry housings available. For our complete (but not exhaustive) competitive housing compatibility list, please go to www.lithonialighting.com and search for 3iG, 4iG, 5iG and 6iG.

LISTINGS

ETL certified to US and Canadian safety standards; Energy Star qualified; California Title 24 compliant; damp location listed; LED Dimmable; IC/Non-IC.

WARRANTY

Lithonia Lighting warrants LED products sold hereunder to be free from defect in manufacturing, under normal and proper storage, installation, and use, for a period of five (5) years from the date of shipment. Our guarantee liability extends only to the repair or replacement of the defective part, and no labor charges for correction of the defect by repair or replacement will be paid by Lithonia Lighting unless prior written authority has been granted by contacting our Post Sale department at 1-800-315-4935.

LEA Y RESPETE TODAS LAS INSTRUCCIONES DE INSTALACIÓN. GUARDE LAS INSTRUCCIONES Y DEVUELVAS AL PROPIETARIO DESPUÉS DE REALIZAR LA INSTALACIÓN.

- Para reducir el riesgo de muerte, lesiones personales o daños a la propiedad que pueda surgir de incendios, choques eléctricos, cortes, abrasiones, caída de partes y otros peligros lea todas las advertencias e instrucciones incluidas en la caja o su interior, además de las etiquetas del montaje.
- Antes de instalar, revisar o realizar el mantenimiento de rutina del equipo, siga estas precauciones generales.
- La instalación y el mantenimiento de las luminarias lo debe realizar un electricista calificado autorizado.
- El mantenimiento de las luminarias lo debe realizar una persona familiarizada con la fabricación y el funcionamiento de este producto así como con los peligros relacionados con este. Se recomienda realizar el mantenimiento regular de los montajes.
- Cada tanto ser necesario limpiar la parte externa del refractor y de la lente. La frecuencia de la limpieza dependerá del nivel de polvo del ambiente y de la potencia de la luz mínima aceptable para el usuario. El refractor/lente se debe lavar con una solución de agua tibia y detergente de uso doméstico suave no abrasivo, enjuagar con agua limpia y secar. Si el montaje físico se ensuciara por dentro, limpie el refractor o la lente como se indica anteriormente; de ser necesario, reemplace las juntas de juntas.
- **NO INSTALE EL PRODUCTO SI ESTÁ DAÑADO.** Esta luminaria se embala adecuadamente de modo tal que las piezas no resulten dañadas durante su transporte. Inspecciones para confirmarlo. Reemplace toda pieza que se dañe o rompa durante su montaje o posterior a este.
- Reciclado: Para obtener información sobre cómo reciclar productos electrónicos LED, visite www.epa.gov.
- Estas instrucciones no pretenden cubrir todos los detalles o las variaciones de los equipos ni abarcar todas las posibles eventualidades relacionadas con la instalación, el funcionamiento o el mantenimiento. Si necesita más información o surgen problemas específicos que no están debidamente cubiertos en la información del producto, contáctese a Acuity Brands Lighting, Inc.



ADVERTENCIA: RIESGO DE CHOQUE ELÉCTRICO

- Desconecte o interrumpa la energía eléctrica antes de realizar la instalación o la reparación.
- Verifique que el voltaje de alimentación sea correcto; comparelo con la información de la etiqueta de la luminaria.
- Realice todas las conexiones eléctricas y a tierra en cumplimiento con el Código Eléctrico Nacional y de los requisitos del código local vigente.
- Todas las conexiones de cableado deben cubrirse con conectores para cable reconocidos y aprobados por UL.



PRECAUCIÓN: RIESGO DE LESIONES

- Use gafas y guantes de protección en todo momento al retirar la luminaria de la caja, al instalarla, repararla o realizar operaciones de mantenimiento.
- Una vez encendida la fuente de luz, evite la exposición directa con los ojos.



ADVERTENCIA: RIESGO DE QUEMADURAS

- Antes de manipular la lámpara o el montaje, déjelo enfriar. No toque la carcasa ni la fuente de iluminación.
- No supere el voltaje máximo señalado en la etiqueta de la luminaria.
- Respete todas las advertencias, recomendaciones y restricciones que proporciona el fabricante para: tipo de conductor, posición de funcionamiento, puntos de montaje, reemplazo y reciclado.



PRECAUCIÓN: RIESGO DE INCENDIO

- Mantenga lejos de la luminaria y de las lámparas o los lentes, los materiales combustibles y de otro tipo que se puedan incendiar.
- No las encienda cerca de personas, materiales combustibles o sustancias calientes o secas.



PRECAUCIÓN: RIESGO DE DAÑO PARA EL PRODUCTO

- Jamás conecte componentes bajo carga.
- No monte estos montajes de manera que puedan cortar el revestimiento exterior o dañar el aislamiento de los cables.
- Jamás conecte un producto LED directamente a un paquete de reducción de intensidad de la luz. Los montajes LED se deben apagar directamente de un circuito de interruptores.
- A menos que las especificaciones del producto individual consideren lo contrario: Deje un poco de espacio alrededor del montaje. Evite cubrir los montajes LED con aislamiento, goma u otro material que evite la convección o el enfriamiento de la conducción.
- A menos que las especificaciones del producto individual consideren lo contrario: La temperatura ambiente máxima debe ser de 90 °C. No haga funcionar el montaje a temperaturas más elevadas que esta.
- A menos que las especificaciones del producto individual consideren lo contrario: Jamás instale los montajes en lugares donde queden expuestos a la lluvia, a un alto nivel de humedad, a cambios de temperatura extrema o a ventilación limitada.
- Los productos LED son sensibles a la polaridad. Asegure la correcta polaridad antes de la instalación.
- Descarga electrostática (DES): la DES puede dañar los montajes LED. Durante la instalación o reparación de la unidad se debe usar siempre equipo personal conectado a tierra.
- No toque componentes eléctricos individuales ya que esto puede causar DES, reducir la vida útil de la lámpara o alterar el funcionamiento.
- La unidad no contiene piezas que el usuario pueda reparar. No modifique los cables de la unidad, no la vuelva a configurar, no la modifique ni intente repararla usted mismo. Además, en este momento los estándares de UL no permiten el reemplazo en campo del montaje LED o sus lámparas. En el caso improbable de que su unidad requiera reparación, deje de usar la unidad inmediatamente y comuníquese con un representante de ABL.

Todas las luminarias que contienen dispositivos eléctricos que generan frecuencias superiores a 9kHz desde cualquier componente de la luminaria cumplen una de las reglas de la Parte 15 de las reglas de la FCC. El funcionamiento depende de las siguientes dos condiciones:

- (1) Este dispositivo no puede ocasionar interferencias perjudiciales
- (2) Este dispositivo debe aceptar cualquier interferencia recibida, incluso, las interferencias que pueden ocasionar un mal funcionamiento.

Este dispositivo cumple con la Parte 18 de las reglas de la FCC pero puede ocasionar interferencia con teléfonos inalámbricos y celulares, radios, televisores y otros dispositivos electrónicos. Para corregir el problema, aleje el dispositivo de la luminaria o enchéfelo en otra toma de corriente.

Este producto puede ocasionar interferencia en equipos de radio y no se debe instalar cerca de equipos de comunicación de seguridad marítima u otros equipos de comunicación o navegación crítica que funcionen en el rango 0.45-30MHz.

El incumplimiento de alguna de estas instrucciones puede anular la garantía del producto. Para obtener la lista completa de los términos y las condiciones respecto del producto, visite www.acuitybrands.com.

NUESTRAS MARCAS

Interior/Exterior: Lithonia Lighting, Carandini, Holophane, RELOC

Sistemas de iluminación para interior: Gotham, Mark Architectural Lighting, Peerless, Renaissance Lighting, Winona Lighting

Sistemas de iluminación para exterior: American Electric Lighting, Antique Street Lamps, Hydrel, Tersen

Controles: DARK TO LIGHT, Lighting Control & Design, ROAM, Sensor Switch, Synergy

Acuity Brands Lighting, Inc. no se hace responsable por los reclamos que puedan surgir de la instalación o manipulación inadecuada o negligente de sus productos. Advertencias generales de ABL LED, Form. n.º 503.203

© 2010 Acuity Brands Lighting, Inc. Todos los derechos reservados. 12/01/10

ADVERTENCIA: Antes de instalar el artefacto, desconecte TODOS los suministros de energía de la unidad. Para evitar el daño o el desgaste del cableado, no exponerlo a bordes de láminas de metal u otro tipo de objeto filoso. Este módulo puede ser colocado en las instalaciones TIPO TECHO CON AISLAMIENTO o SIN AISLAMIENTO. Para COLOCAR ÚNICAMENTE EN TECHOS SIN AISLAMIENTO: No se debe colocar ningún aislamiento en la parte superior o en un espacio de 3 in (76 mm) desde el artefacto.

El juego de readaptación es aceptado como un componente de una luminaria donde la idoneidad de la combinación debe ser determinada por CSA o las autoridades que tengan jurisdicción. El contenido de estos juegos de readaptación incluye:

- Módulo LED
- Hoja de instrucciones
- Juego de conexión de cableado
- Adaptador E26 (solo con los modelos 5iG o 6iG)

ADVERTENCIA: Riesgo de incendio o descarga eléctrica. Instalar este juego solo en las luminarias que tengan las características de construcción y dimensiones mostradas en las fotografías o dibujos.

INSTALACIÓN: MÓDULOS LED REFLECTOR DE 3" 3iG y 4" 4iG

Instalación de retro-iluminación de 3" y 4" con juego de conexión de cableado:

1. Retire la lámpara y el reflector existentes, dejando que el enchufe cuelgue de los cables
2. Corte los cables que se encuentran dentro del receptáculo encastrado junto al conector de portalámparas y deseche el portalámparas.
3. Retire el adaptador de enchufe de la caja. Corte ambos cables del adaptador junto al adaptador de enchufe y lejos del conector naranja; luego, deseche el portalámparas. Retire los dos (2) conectores de empalme rojo de la bolsa del juego de cableado. Forme pares con los cables conectores de la carcasa y los conectores naranjas por color hasta cada uno de los conectores rojos. Coloque el elemento de inserción de metal con forma de U en los cables y apriete con fuerza. Cierre la tapa para sujetar y aislar la conexión. (Consulte la figura 1).

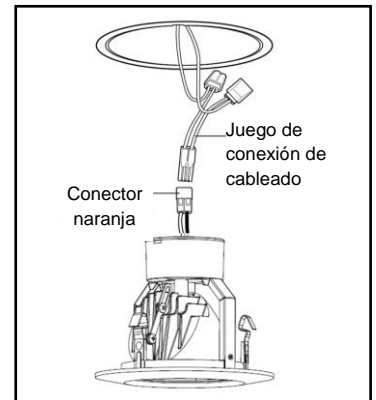


Figura 1

4. Mientras sostiene el módulo LED, sujete el conector del módulo al conector de acople que acaba de instalar en la carcasa empotrada. Pase los cables y conectores acoplados por la carcasa empotrada.

EL MÓDULO NO DEBE COLGAR SIN EL APOYO DE LOS CONECTORES NARANJAS. (Consulte la figura 3).

5. Una vez que todas las conexiones estén realizadas, empuje suavemente el ensamble de LED en la abertura de la carcasa empotrada hasta que los sujetadores se acoplen dentro de la carcasa y el ensamble esté a nivel de la superficie del techo.

NOTA: Si instala en una carcasa empotrada de remodelación con sujetadores internos al techo, asegúrese de desplazar los sujetadores del ensamble fuera de los sujetadores negros adentro de la carcasa.

6. INSTALACIÓN FINALIZADA.

Instalación de retro-iluminación de 3" y 4" con adaptador de portalámpara (NO INCLUIDO) en carcasa empotrada nueva o existente:

1. Retire la lámpara y el reflector existentes, dejando que el enchufe cuelgue de los cables. (Figura 2)
2. Atornille de forma segura el adaptador de enchufe en el portalámpara adentro de la carcasa. Mientras sostiene el módulo LED, enchufe el conector naranja del adaptador de enchufe en el conector naranja de acople del módulo LED.

EL MÓDULO NO DEBE COLGAR SIN EL APOYO DE LOS CONECTORES NARANJAS. (Figura 3)

3. Una vez que todas las conexiones estén realizadas, empuje suavemente el ensamble de LED en la abertura de la carcasa empotrada hasta que los sujetadores se acoplen dentro de la carcasa y el ensamble esté a nivel de la superficie del techo.

NOTA: Si instala en una carcasa de retroiluminación con sujetadores internos al techo, asegúrese de compensar los sujetadores del ensamble con los sujetadores adentro de la carcasa.

4. INSTALACIÓN FINALIZADA.

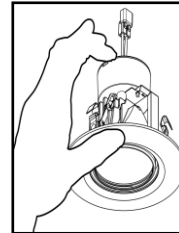


Figura 3

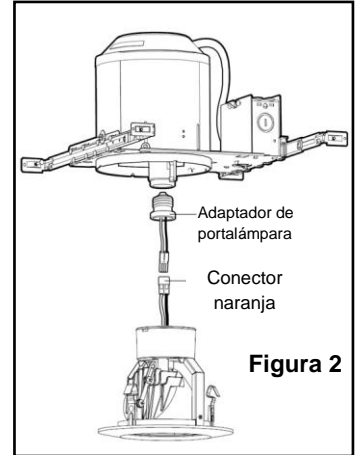


Figura 2

INSTALACIÓN: MÓDULOS LED REFLECTOR DE 5" 5iG y 6" 6iG

Instalación de retro-iluminación de 5" y de 6" con adaptador de portalámparas de base Edison en carcasa empotrada nueva o existente:

1. Retire la lámpara y el reflector existentes, dejando que el enchufe cuelgue de los cables.

NOTA: Si la carcasa no tiene (2) soportes de retención de resortes de torsión adentro, consulte la sección "Adaptador del resorte de torsión" antes de continuar.

2. Atornille de forma segura el adaptador de enchufe en el portalámparas adentro de la carcasa. Enchufe el conector naranja del adaptador de enchufe en el conector naranja de acople del módulo LED. (Figura 4)

EL MÓDULO NO DEBE COLGAR SIN EL APOYO DE LOS CONECTORES NARANJAS. (Figura 5)

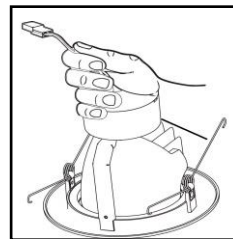


Figura 5

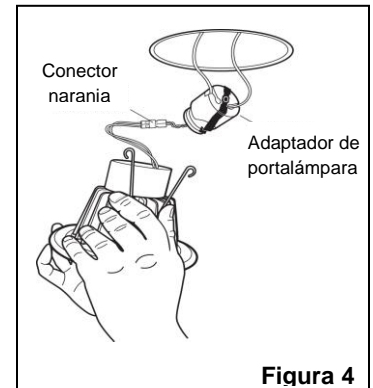


Figura 4

3. Una vez que todas las conexiones estén realizadas, apriete cada par de resortes de torsión y asíéntelos dentro de los soportes del montaje. Libere los resortes y empuje suavemente el ensamble en el montaje hasta que quede a nivel del techo. (Figura 6)

4. INSTALACIÓN FINALIZADA.

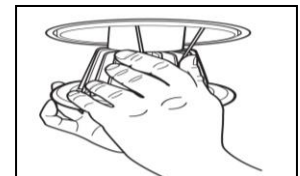


Figura 6

Instalación de retroiluminación de 5 in y 6 in con juego de conexión de cableado:

1. Retire la lámpara y el reflector existentes, dejando que el enchufe cuelgue de los cables.

NOTA: Si la carcasa no tiene (2) soportes de retención de resortes de torsión adentro, consulte la sección "Adaptador del resorte de torsión" antes de continuar.

2. Corte los cables que se encuentran dentro del receptáculo encastrado junto al portalámparas y deseche el portalámparas.
3. Retire el adaptador de enchufe de la caja. Corte ambos cables del adaptador junto al adaptador de enchufe y lejos del conector naranja; luego, deseche el portalámparas. Retire los dos (2) conectores de empalme rojo de la bolsa del juego del cableado. Forme pares con los cables conectores de la carcasa y los conectores naranjas por color hasta cada uno de los conectores rojos. Coloque el elemento de inserción de metal con forma de U en los cables y apriete con fuerza. Cierre la tapa para sujetar y aislar la conexión. (Consulte la figura 7).

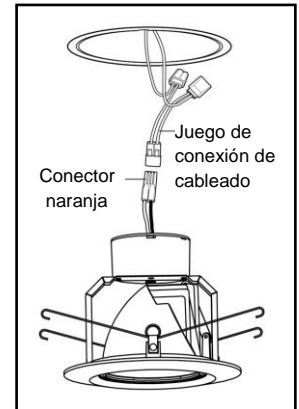


Figura 7

4. Sujete el conector naranja del módulo al conector naranja de acople que acaba de instalar en la carcasa empotrada. Pase los cables y conectores acoplados por la carcasa empotrada.

EL MÓDULO NO DEBE COLGAR SIN EL APOYO DE LOS CONECTORES NARANJAS.
(Consulte la figura 5).

5. Una vez que todas las conexiones están realizadas, apriete cada par de resortes de torsión y coloque adentro de los soportes del montaje. Libere los resortes y empuje suavemente el ensamble en el montaje hasta que quede a nivel del techo. (Figura 6)
6. **INSTALACIÓN FINALIZADA.**

Adaptador del resorte de torsión (TSA5 y TSA6 se venden por separado):

ADVERTENCIA: RIESGO DE INCENDIO O DESCARGA ELÉCTRICA. El cableado de las luminarias, el suministro de energía u otras partes eléctricas pueden ser dañados al momento de taladrar para la instalación de accesorios del conjunto de readaptación. Inspeccione el cableado y los componentes para verificar si hay daño. Solo aquellos agujeros abiertos indicados en las fotografías o dibujos pueden ser realizados o alterados como resultado de la instalación del juego. No dejar ningún otro agujero abierto en una caja de cableado o componentes eléctricos.

Es posible que necesite la opción TSA5 (5 in) o TSA6 (6 in) (Figura 8) si está reacondicionando una carcasa antigua o haciendo una remodelación que no tenga soportes de resorte de retención.

1. Quite los tres (3) tornillos que se encuentran alrededor de la carcasa y guárdelos. **NOTA: SI NO HAY TORNILLOS, DEBERÁ RETIRAR TEMPORALMENTE LA CARCASA DEL TECHO PARA REALIZAR ORIFICIOS.**

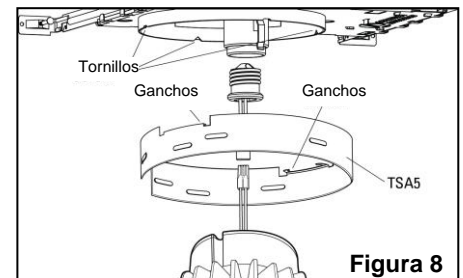


Figura 8

Realizar orificios para TSA5 o TSA6 (Carcasas de remodelación)

- 1a. Desbloquee los sujetadores del techo y retire la carcasa de remodelación del techo.
- 1b. Sostenga la carcasa mientras está suspendida e inserte temporalmente el soporte para el TSA5 o TSA6 dentro de la carcasa con los ganchos para arriba al nivel del borde de la carcasa.
- 1c. Utilizando las ranuras del soporte para el TSA5 o TSA6 como plantilla, marque (3) ubicaciones de orificios con un punzón o lapicera adentro de la carcasa.

- 1d. Realice tres orificios de un tamaño adecuado para colocar los (3) tornillos y reinstalar la carcasa en el techo.
2. Vuelva a insertar el TSA5 o TSA6 en la carcasa con los ganchos para arriba. Alinee las ranuras con los orificios y la parte inferior del TSA5 o TSA6 con la carcasa.
3. Pase los tres (3) tornillos por las ranuras del soporte para el TSA5 o TSA6 y colóquelos en la carcasa para asegurar la posición de esta.
4. Consulte la sección anterior **INSTALACIÓN: MÓDULO LED de 5 in y de 6 in** para obtener más información.

REDUCTORES DE INTENSIDAD DE LUZ RECOMENDADOS

Los módulos LED de Lithonia son compatibles con los reductores de alumbrado incandescentes estándar (Triac), con los de bajo voltaje electrónico (ELV) y los de bajo voltaje magnético (MLV). Se puede encontrar una lista de reductores de alumbrado recomendados para ayudar en la instalación en www.lithonia.com mediante la búsqueda de 3iG, 4iG, 5iG o 6iG. Si no se encuentran en la lista, esto no significa que un reductor de alumbrado no funcionará con nuestros módulos LED sino que Lithonia Lighting aún no lo ha probado. Es también recomendable que se comunique con el fabricante del reductor de alumbrado específico para obtener más detalles ya que cada reductor de alumbrado y su aplicación son únicos.

COMPATIBILIDAD DE LA CARCASA EMPOTRADA

Los módulos LED iGimbal de 3" fueron probados para encajar en un recinto mínimo de 3,0" de diámetro por 5,45" de altura, mientras tengan un diámetro máximo (para la cobertura del borde) de 4,10".

Los módulos LED iGimbal de 4" fueron probados para encajar en un recinto mínimo de 4,0" de diámetro por 5,90" de altura, mientras tengan un diámetro máximo (para la cobertura del borde) de 5,15".

Los módulos LED iGimbal de 5" fueron probados para encajar en un recinto mínimo de 5,0" de diámetro por 5,90" de altura, mientras tengan un diámetro máximo (para la cobertura del borde) de 6,35".

Los módulos LED iGimbal de 6" fueron probados para encajar en un recinto mínimo de 6,0" de diámetro por 7,50" de altura, mientras tengan un diámetro máximo (para la cobertura del borde) de 7,25".

Esto es así para que se adapten a casi todas las cubiertas de la industria disponibles. Para obtener nuestra lista de cubiertas disponibles completa (pero no exhaustiva) visite www.lithonialighting.com y busque 3iG, 4iG, 5iG o 6iG.

LISTADOS

Certificado por ETL bajo los estándares de seguridad canadienses y de EE. UU.; certificación de Energy Star; conforme con el Título 24 de California; protección para lugares húmedos; LED Dimmable; IC/Non-IC.

GARANTÍA

Lithonia Lighting garantiza que los productos LED que se venden por medio del presente no tendrán defectos de fabricación, si se mantienen bajo condiciones adecuadas y normales de almacenamiento, instalación y uso, durante un período de cinco (5) años a partir de la fecha de entrega. Nuestra responsabilidad de garantía abarca exclusivamente la reparación o el reemplazo de la pieza defectuosa y Lithonia Lighting no se hará responsable de ningún costo de mano de obra por la reparación del desperfecto o el reemplazo de la pieza, a menos que se emita previamente una autorización por escrito comunicándose con nuestro departamento de Post Venta al 1-800-315-4935.

LIRE ATTENTIVEMENT ET OBSERVER TOUTES LES CONSIGNES DE S CURIT CONSERVER CES DIRECTIVES ET LES REMETTRE AU PROPRI TAIRE APR S L'INSTALLATION

- Pour r duire les risques de d c s, blessures ou dommages mat riels r sultant d'un incendie, d'un choc lectrique, de chutes de pi ces, coupures, raflures et autres dangers, veuillez lire tous les avertissements et toutes les directives fournis avec l'appareil, sur la bo te et les tiquettes.
- Avant l'installation, l'entretien ou la maintenance de cet quipement, veuillez prendre les pr cautions g n rales suivantes.
- L'installation et le service technique des luminaires doivent tre effectu s par un **lectricien licenci qualiifi**.
- L'entretien des luminaires doit tre effectu par des personnes au courant de la construction et du fonctionnement des luminaires et des risques impliqu s. Un programme d'entretien r gulier est recommand .
- l'occasion, il sera n cessaire de nettoyer l'ext rieur du r racteur ou de la lentille. La fr quence de nettoyage d pendra du niveau de salet ambiant et du flux lumineux minimal acceptable pour l'utilisateur. Le r racteur et la lentille doivent tre nettoys l'aide d'une solution d'eau temp r e et de tout d tergent domestique doux, non abrasif, puis rinc s l'eau propre et essuy s. En cas de salet l'int rieur du bloc optique, essuyer le r racteur ou la lentille, puis nettoyer comme indiqu ci-dessus et remplacer toute garniture d'anch it endommag e au besoin.
- **NE PAS INSTALLER UN PRODUIT ENDOMMAG** Ce luminaire a t emball de mani re ce que les pi ces ne subissent pas de dommages lors du transport. Veuillez inspecter et confirmer le bon tat. Toute pl ce endommag e ou bris e lors de l'assemblage ou apr s devrait tre remplac e.
- Recyclage : pour acc der l'information sur le recyclage des produits lectroniques DEL, veuillez visiter www.epa.gov.
- Ces directives n'entendent pas couvrir tous les d talls, tous les mod les d' quipement, ni pr voir toute ventualit li e l'installation, au fonctionnement ou l'entretien de cet quipement. Pour toute autre information ou en cas d'un probl me non r solu par le pr sent document, l'acheteur ou le propri taire est pri de contacter Acuity Brands Lighting, Inc.



AVERTISSEMENT RISQUE DE CHOC LECTRIQUE

- Couper ou teindre l'alimentation lectrique avant l'installation ou l'entretien.
- V rifier que la tension d'alimentation est ad quate en la comparant l'information sur l' tiquette du luminaire.
- Effectuer toutes les connexions et la mise la terre conform ment au National Electrical Code (NEC) et aux exigences de tout autre code local applicable.
- Toutes les connexions doivent tre prot g es d'un capuchon de connexion homologu UL.



MISE EN GARDE RISQUE DE BLESSURE

- Porter des gants et des verres de s curit en tout temps pour retirer le luminaire de la bo te, l'installation, l'entretien ou les travaux de maintenance.
- viter d'exposer directement les yeux la source lumineuse lorsqu'allum e.



AVERTISSEMENT RISQUE DE BR LURE

- Permettre le refroidissement de la lampe et du luminaire avant la manipulation. Ne pas toucher au bo tier ou la source lumineuse.
- Ne pas d passer la puissance maximale indiqu e sur l' tiquette du luminaire.
- Observer tous les avertissements, toutes les recommandations et toutes les restrictions du fabricant sur : le type de pilote, la position d'utilisation, l'emplacement et les m thodes de montage, le remplacement et le recyclage.



MISE EN GARDE RISQUE D'INCENDIE

- loigner toutes les mati res combustibles ou inflammables de la lampe et de la lentille.
- Ne pas employer proximit des personnes, des mati res combustibles ou des substances sensibles la chaleur ou la s cheresse.



MISE EN GARDE : RISQUE DE CAUSER DES DOMMAGES AU PRODUIT

- Ne jamais connecter des composantes en charge.
- Ne pas monter ou supporter ces appareils d'une mani re pouvant causer l'abrasion de la gaine externe ou endommager l'isolant des fils.
- Ne jamais connecter un produit DEL un dispositif de gradation non approuv . Veuillez contacter ABL directement pour v rifier la compatibilit d'un gradateur non recommand pr cis ment pour le produit.
- Sauf en cas de sp cifications contraires individuelles des produits : Permettre un espace libre suffisant autour du luminaire. viter de couvrir les appareils DEL d'un mat riau isolant, alv olaire ou tout autre mat riau emp chant le refroidissement de l'unit par convection ou conduction.
- Sauf en cas de sp cifications contraires individuelles des produits : La temp rature ambiante maximale est 90 °C. Ne pas employer le luminaire une temp rature plus lev e.
- Sauf en cas de sp cifications contraires individuelles des produits : Ne pas monter le luminaire o il sera expos la pluie, l'humidit lev e, les changements de temp rature extr mes ou une a ration limit e.
- Les produits DEL sont sensibles la polarit . S'assurer d'une polarit ad quate avant l'installation.
- D charge lectrostatique (DES) : Une DES peut endommager les appareils DEL. Un quipement de mise la terre de protection individuelle doit tre port lors de l'installation ou l'entretien de l'unit .
- Ne pas toucher aux composantes lectriques individuelles, car cela peut causer une DES, r duire la dur e de vie de la lampe ou compromettre la performance de l'unit .
- Aucune pi ce ne doit tre r par e par l'utilisateur. Ne pas rec bler, reconfigurer, modifier ou r parer l'unit . De plus, le remplacement sur place du groupe DEL ou des lampes n'est pas permis par UL pour le moment. Dans le cas peu probable o l'unit exige un service technique, cesser de l'utiliser et contacter le repr sentant ABL.

Tous les luminaires comportant des dispositifs lectroniques metteurs de fr quences sup rieurs 9 kHz de toute composante du luminaire se conforment l'une des r gles de la FCC, Section 15. Le fonctionnement est soumis aux deux conditions suivantes :

- (1) Ce dispositif ne peut causer de perturbations nuisibles.
- (2) Ce dispositif peut accepter toute perturbation re ue, notamment les perturbations pouvant causer un fonctionnement ind sirable.

Ce dispositif est conforme la Section 18 des r gles de la FCC, mais peut causer de l'interf rence avec les t l phones sans fil ou cellulaires, radios, t l viseurs et autres dispositifs lectroniques. Pour corriger un probl me, loigner le dispositif du luminaire ou le brancher dans une autre prise de courant.

Ce produit peut causer de l'interf rence l' quipement radio, ne pas l'installer proximit de l' quipement de communications de la s curit maritime ou tout autre quipement critique de navigation ou de communications fonctionnant entre 0,45 et 30 MHz.

Ne pas observer ces instructions pourrait annuler les garanties du produit. Pour une liste compl te des conditions et modalit s, veuillez visiter www.acuitybrands.com.

NOS MARQUES

Int rieur/Ext rieur: Lithonia Lighting, Carandini, Holophane, RELOC

clairage int rieur: Gotham, Mark Architectural Lighting, Peerless, Renaissance Lighting, Winona Lighting

clairage ext rieur: American Electric Lighting, Antique Street Lamps, Hydrel, Tersen

Commandes d' clairage: DARK TO LIGHT, Lighting Control & Design, ROAM, Sensor Switch, Synergy

Acuity Brands Lighting, Inc. d cline toute responsabilit pour les r clamations r sultant d'une installation ou manipulation inad quate ou n gligence de ses produits. Avertissements g n raux de ABL sur les produits DEL, pub. no 503.203

Lithonia Downlighting / Part No. CJ5201106 Rev. A

One Lithonia Way / Conyers, GA 30012, ©20011 Acuity Brands Lighting, Inc., 12/11
800-315-4935 / www.lithonia.com

AVERTISSEMENT: avant d'installer le dispositif, coupez TOUTE alimentation électrique à l'unité. Pour éviter les dommages de câblage ou les abrasions, n'exposez pas le câblage à des bords de tôle ou d'autres objets tranchants. Ce module peut être installé dans des installations de TYPE CI ou NON CI. Pour les INSTALLATIONS DE TYPE NON CI UNIQUEMENT: aucun matériau isolant ne peut être posé sur le dispositif ou à moins de 76 mm (3 po) de celui-ci.

Le nécessaire de modifications est considéré comme un composant d'un luminaire pourvu que la pertinence de la combinaison soit confirmée par la CSA ou les autorités compétentes. Le nécessaire de modifications contient les éléments suivants:

- Un module DEL
- Une feuille d'instructions
- Adaptateur de douille E26 (**uniquement avec les modèles 5iG ou 6iG**)
- Kit de connecteur fixe

AVERTISSEMENT: risque d'incendie ou de choc électrique. Installez ce nécessaire uniquement dans les luminaires qui présentent les caractéristiques de construction et les dimensions illustrées par les photographies ou les dessins.

INSTALLATION DES MODULES DEL 3iG DE 3 PO ET 4iG DE 4 PO

Installation en rattrapage de 3 po et 4 po avec kit de raccordement fixe:

1. Retirez la lampe et le réflecteur existants, laissant la douille pendre librement par les fils.
2. Coupez les fils de la douille existante à l'intérieur du boîtier encastré, près de la douille, et jetez la douille.
3. Retirez l'adaptateur de douille du boîtier. Coupez les deux fils de l'adaptateur près de l'adaptateur de douille et à distance du connecteur orange, puis jetez la douille. Retirez les (2) connecteurs bout-à-bout rouges du kit fixe. Appariez les fils du boîtier et du connecteur orange par couleur dans chaque connecteur rouge. Serrez fermement l'insert métallique en U sur les fils. Fermez le couvercle pour fixer et isoler la connexion. (Voir figure 1)
4. Tout en maintenant le module DEL, branchez le connecteur du module dans le connecteur compatible récemment installé dans le boîtier encastré. Poussez les fils et les connecteurs compatibles vers le haut dans le boîtier encastré. **NE LAISSEZ PAS LE MODULE PENDRE SANS SUPPORT PAR LES CONNECTEURS ORANGES.** (Voir figure 2)
5. Dès que toutes les connexions sont terminées, poussez délicatement la garniture DEL dans l'ouverture du boîtier encastré jusqu'à ce que les attaches se clipsent à l'intérieur du boîtier et que la garniture affleure la surface du plafond.

NOTA: Pour une installation dans un boîtier encastré de style remaniement avec des attaches internes de support au plafond, veillez à décaler les attaches de la garniture des attaches noires à l'intérieur du boîtier.

6. L'INSTALLATION EST TERMINÉE.

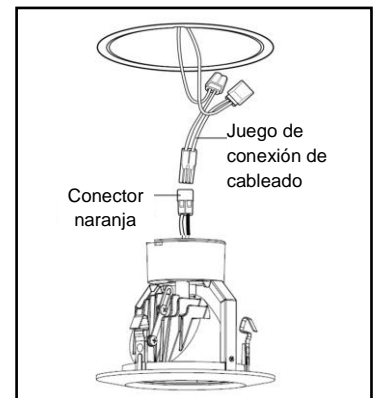


Figure 1

Installation en rattrapage de 3 po et 4 po avec adaptateur de douille dans un boîtier encastré de construction neuve ou existante :

1. Retirez la lampe et le réflecteur existants, laissant la douille pendre librement par les fils. (Figure 2)
2. Vissez solidement l'adaptateur de douille dans la douille à l'intérieur du boîtier. Tout en maintenant le module DEL, branchez le connecteur orange de l'adaptateur de douille dans le connecteur orange compatible du module DEL.

NE LAISSEZ PAS LE MODULE PENDRE SANS SUPPORT PAR LES CONNECTEURS ORANGES. (Figure 3)

3. Dès que toutes les connexions sont terminées, poussez délicatement la garniture DEL dans l'ouverture du boîtier encastré jusqu'à ce que les attaches se clip sent à l'intérieur du boîtier et que la garniture affleure la surface du plafond.

NOTA: Pour une installation dans un boîtier de style rattrapage avec des attaches internes de support au plafond, veillez à décaler les attaches de la garniture et les attaches à l'intérieur du boîtier.

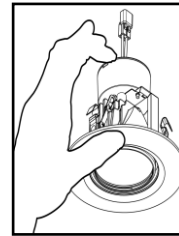


Figure 3

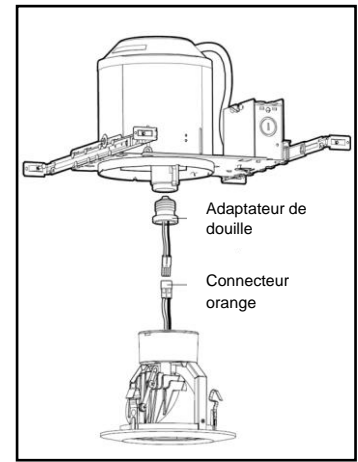


Figure 2

4. L'INSTALLATION EST TERMINÉE.

INSTALLATION DES MODULES DEL 5iG DE 5 PO ET 6iG DE 6 PO

Installation en rattrapage de 5 po et de 6 po avec adaptateur de douille Edison dans un boîtier encastré de construction neuve ou existante:

1. Retirez la lampe et le réflecteur existants, laissant la douille pendre librement par les fils.

NOTA: Si votre boîtier n'est pas muni de (2) supports de retenue à ressort de torsion, consultez la section « Adaptateur à ressort de torsion » avant de poursuivre.

2. Vissez solidement l'adaptateur de douille dans la douille à l'intérieur du boîtier. Branchez le connecteur orange de l'adaptateur de douille dans le connecteur orange compatible du module DEL. (Figure 4)

NE LAISSEZ PAS LE MODULE PENDRE SANS SUPPORT PAR LES CONNECTEURS ORANGES. (Figure 5)

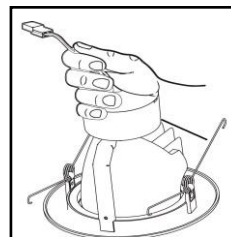


Figure 5

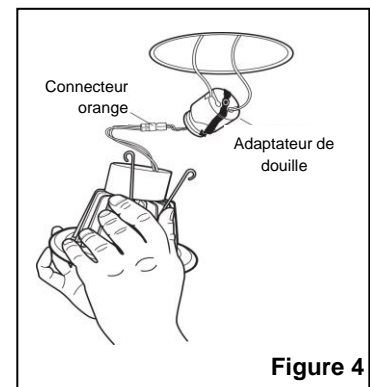


Figure 4

3. Dès que toutes les connexions sont terminées, pressez chaque paire de ressorts de torsion et insérez-les dans les supports du dispositif. Relâchez les ressorts et poussez délicatement la garniture dans le dispositif jusqu'à ce qu'elle affleure le plafond. (Figure 6)

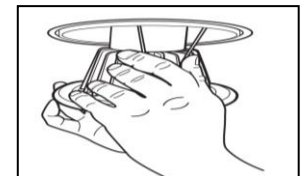


Figure 6

4. L'INSTALLATION EST TERMINÉE.

Installation en rattrapage de 5 po et 6 po avec kit de raccordement fixe:

1. Retirez la lampe et le réflecteur existants, laissant la douille pendre librement par les fils.

NOTA: Si votre boîtier n'est pas muni de (2) supports de retenue à ressort de torsion, consultez la section « Adaptateur à ressort de torsion » avant de poursuivre.

2. Coupez les fils de la douille existante à l'intérieur du boîtier encastré, près de la douille, et jetez la douille.
3. Retirez l'adaptateur de douille du boîtier. Coupez les deux fils de l'adaptateur près de l'adaptateur de douille et à distance du connecteur orange, puis jetez la douille. Retirez les (2) connecteurs bout-à-bout rouges du kit fixe. Appariez les fils du boîtier et du connecteur orange par couleur dans chaque connecteur rouge. Serrez fermement l'insert métallique en U sur les fils. Fermez le couvercle pour fixer et isoler la connexion. (Voir figure 7)
4. Branchez le connecteur orange du module dans le connecteur orange compatible récemment installé dans le boîtier encastré. Poussez les fils et les connecteurs compatibles vers le haut dans le boîtier encastré. **NE LAISSEZ PAS LE MODULE PENDRE SANS SUPPORT PAR LES CONNECTEURS ORANGES.** (Voir figure 5)
5. Dès que toutes les connexions sont terminées, pressez chaque paire de ressorts de torsion et insérez-les dans les supports du dispositif. Relâchez les ressorts et poussez délicatement la garniture dans le dispositif jusqu'à ce qu'elle affleure le plafond. (Voir Figure 6)
6. L'INSTALLATION EST TERMINÉE.

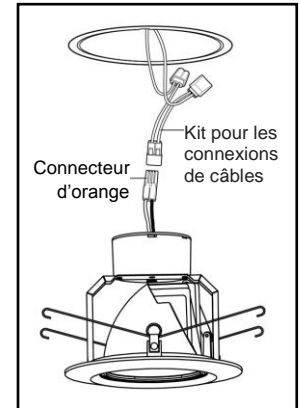


Figure 7

Adaptateur à ressort de torsion (TSA5 et TSA6 vendus séparément) :

AVERTISSEMENT - RISQUE D'INCENDIE OU DE CHOC ÉLECTRIQUE. Le câblage des luminaires, l'alimentation électrique ou d'autres pièces électriques peuvent être endommagés lors du forage de l'installation en rattrapage du matériel de montage. Vérifiez si le câblage et les composants ne sont pas endommagés. Seuls les trous en découpert indiqués sur les photographies et/ou les dessins peuvent être percés ou modifiés suite à l'installation du nécessaire. Ne laissez aucun autre trou en découpert dans une ouverture de câblage ou de composants électriques.

L'option TSA5 (5 po) ou TSA6 (6 po) (figura 8) peut être requise pour adapter un boîtier de style ancien ou de remaniement non muni de supports à ressort de torsion.

1. Retirez les (3) vis sur le bord intérieur de votre boîtier existant et conservez-les.

NOTA: S'IL N'Y A PAS DE VIS, VOUS DEVREZ RETIRER TEMPORAIREMENT LE BOÎTIER DU PLAFOND POUR PERCER DES TROUS.

Percer des trous pour TSA5 ou TSA6 (boîtiers de style remaniement)

- 1a. Débloquez les attaches du plafond et retirez le boîtier de remaniement du plafond.
- 1b. Tout en maintenant le boîtier suspendu, insérez temporairement le support TSA5 ou TSA6, en orientant les crochets vers le haut, à l'intérieur du boîtier et alignez-le avec le bord du boîtier.

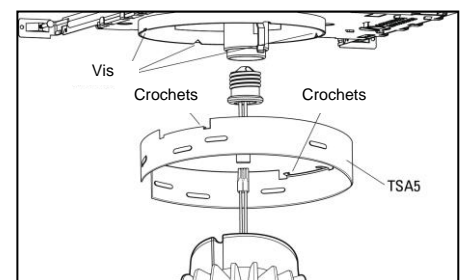


Figure 8

- 1c. En vous servant des fentes du support TSA5 ou TSA6 comme gabarit, marquez l'emplacement de chacun des (3) trous à l'aide d'un pointeau ou d'un marqueur à l'intérieur du boîtier.
- 1d. Percez trois trous d'une dimension appropriée aux (3) vis et réinstallez le boîtier dans le plafond.
2. Réinsérez le TSA5 ou TSA6 dans le boîtier avec les crochets orientés vers le haut. Aligned les fentes avec les trous, puis alignez la partie inférieure du TSA5 ou TSA6 affleurée au boîtier.
3. Insérez les (3) vis à travers les fentes du support TSA5 ou TSA6 et dans le boîtier pour les fixer en place.
4. Retournez à la section « INSTALLATION DU MODULE DEL DE 5 PO ET 6 PO » pour de plus amples explications.

GRADATEURS RECOMMANDÉS

Les modules DEL de Lithonia sont compatibles avec les gradateurs standards à incandescence (Triac), électroniques à basse tension (ELV) et magnétiques à basse tension (MLV). Vous pouvez consulter une liste des gradateurs recommandés sur le site www.lithonia.com pour vous aider durant l'installation, en recherchant 4BL, 5BL ou 6BL. Un gradateur exclu de la liste ne signifie pas qu'il n'est pas compatible avec nos modules DEL, mais qu'il n'a pas été testé par Lithonia Lighting. Nous vous recommandons également de communiquer avec le fabricant de votre gradateur si vous avez des questions ou des préoccupations, car chaque gradateur et chaque application sont uniques.

COMPATIBILITÉ DU BOÎTIER ENCASTRÉ

Les modules DEL iGimbal 3" ont été testés pour tenir dans une très faible hauteur de 3,0" de diamètre par 5,45" de haut, tout en ayant un diamètre maximum (pour couvrir le bord) de 4,10".

Les modules DEL iGimbal 4" ont été testés pour tenir dans une très faible hauteur de 4,0" de diamètre par 5,90" de haut, tout en ayant un diamètre maximum (pour couvrir le bord) de 5,15".

Les modules DEL iGimbal 5" ont été testés pour tenir dans une très faible hauteur de 5,0" de diamètre par 5,90" de haut, tout en ayant un diamètre maximum (pour couvrir le bord) de 6,35".

Les modules DEL iGimbal 6" ont été testés pour tenir dans une très faible hauteur de 6,0" de diamètre par 7.50" de haut, tout en ayant un diamètre maximum (pour couvrir le bord) de 7.25".

Ceci est conforme à presque tous disponibles industrie des couvertures. Pour nos couvertures complètes disponibles (mais pas exhaustive) visite www.lithonialighting.com et regarder 3iG, 4iG, 5iG ou 6iG.

HOMOLOGATION

ETL certifié en vertu des normes de sécurité du Canada et des États-Unis; certification Energy Star; En vertu du titre 24 de la Californie; protection pour les endroits humides; LED Dimmable; IC / non -IC.

GARANTIE

Lithonia Lighting garantit que les produits DEL vendus en vertu de la présente seront dépourvus de tout défaut de fabrication, dans des conditions normales et adéquates d'entreposage, d'installation et d'utilisation, pendant une période de cinq (5) ans à compter de la date d'expédition. Notre responsabilité de garantie ne s'applique qu'à la réparation ou au remplacement de la pièce défectueuse, et les frais de main-d'œuvre nécessaires pour corriger la défectuosité sous forme de réparation ou de remplacement ne seront pas payés par Lithonia Lighting, à moins qu'une autorisation écrite préalable ait été accordée en appelant notre service après-vente au 1 800 315-4935.