

Catalog Number
Notes
Type

FEATURES & SPECIFICATIONS

INTENDED USE — Our recessed LED module is the most economical means to create a well lit environment with exceptional energy efficiency and near zero maintenance. Great for retrofit into existing downlight cans or new construction and remodel applications. Compliant friction clip retention allows fitment into nearly 100% of installed cans. The LED module maintains at least 70% light output for 35,000 hours. Indoor and Outdoor Use.

CONSTRUCTION — Aluminum spun reflector with deep baffle configuration for reduced glare. Combined LED and driver printed circuit board attached. Inner reflector cone funnels light through the pressed-in diffused lens.

OPTICS — Diffused lens at end of mixing chamber to provide even light distribution for general illumination, equivalent to 65W BR30 Lamp.

Wide flood beam angle at > 45°.

ELECTRICAL — Center 2 Edge™ (patent pending) technology created for a single point source. Primary power disconnect provided for simple connection to a dedicated LED connector in the housing.

Dimming down to 10%. For compatible dimmers, refer to [Compatible Dimmers Chart](#).

600L-lumen E series has an input wattage of 10.3 watts, 58 lumens per watt, equivalent to 65-watt incandescent.

E Series' patent pending driver has zero inrush which allows power loads to be calculated with actual rated wattages.

Example: 65 units of 4BEMW LED fixtures can be installed in line with a 600-watt dimmer. 600W/10.3W = 65 fixtures.

INSTALLATION — Suitable for installation in standard height rough-in sections.

E26 socket adaptor and ships standard.

Friction clips allow fitment into cans with an inside diameter of 4.0" to 4.5".

LISTINGS — CSA certified to US and Canadian safety standards. ENERGY STAR® certified. Wet location listed. WSEC ASTM E283 for Air-Tight (with IC housings).

WARRANTY — 5-year limited warranty. Complete warranty terms located at www.acuitybrands.com/CustomerResources/Terms_and_conditions.aspx

NOTE: Actual performance may differ as a result of end-user environment and application. All values are design or typical values, measured under laboratory conditions at 25°C. Specifications subject to change without notice.

PATENTS PENDING.



LED Recessed Downlighting

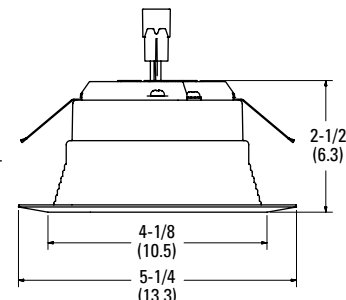
4BE

4" LED Module

IC/Non-IC
Retrofit



E26 adaptor
(included)



Specifications

Aperture: 4-1/8 (10.5)

Ceiling opening: Determined by rough-in

Overlap trim: 5-1/4 (13.3)

Height: 2-1/2 (6.3)

All dimensions are inches (centimeters) unless otherwise indicated.

ORDERING INFORMATION

All configurations of this product are considered "standard" and have short lead times.

Example: 4BEMW LED 27K L3LED T24

Series/Finish	Lamp	CCT / CRI / W / Lumens ¹	Voltage	Housing Options
4BEMW 4" Baffle LED module, matte white	LED	27K 2700K / 82CRI / 10.3W / 530L	(blank) 120V	L3LED T24 4" new construction rough-in LED base
		30K 3000K / 82CRI / 10.3W / 570L		L3RLED T24 4" remodel rough-in LED base
		40K 4000K / 82CRI / 10.3W / 600L		L3 4" new construction rough-in ²
		50K 5000K / 81CRI / 9.0W / 660L		L3R 4" remodel rough-in ²
		27K 90CRI 2700K / 90CRI / 9.77W / 600L		
		30K 90CRI 3000K / 90CRI / 9.71W / 630L		
		40K 90CRI 4000K / 90CRI / 9.6W / 640L		

Notes

- Total system delivered lumens.
- Must be ordered on a separate line.

4" LED Module

PHOTOMETRICS

Distribution Curve	Distribution Data	Output Data	Coefficient of Utilization	Illuminance Data at 30" Above Floor for a Single Luminaire
--------------------	-------------------	-------------	----------------------------	--

4BEMW LED, 27K, input watts: 11.9, delivered lumens: 623, LM/W = 52, test no. LTL26509, tested in accordance with IESNA LM 79-0

Distribution Curve	Ave Lumens			Zone Lumens % Lamp			pf pc pw	80%			20% 70%			50%			50% beam - 60.7°	10% beam - 101.9°
	Ave	Lumens	% Lamp	Lumens	% Lamp	50%		30%	10%	50%	30%	10%	50%	30%	10%			
	0	5	15	25	35	45		55	65	75	85	90	0° - 30°	0° - 40°	0° - 60°	0° - 90°		
	0	296		0° - 30°	222.8	35.8	0	119	119	119	116	116	116	111	111	111		
	5	295	28	0° - 40°	352.3	56.6	1	107	103	100	104	101	98	100	98	95		
	15	281	79	0° - 60°	554.7	89.1	2	95	89	84	93	88	83	90	85	81		
	25	252	116	0° - 90°	622.6	100.0	3	85	78	72	83	77	71	80	75	70		
	35	208	129	90° - 180°	0.0	0.0	4	76	68	62	75	68	62	72	66	61		
	45	152	117	0° - 180°	622.6	*100.0	5	69	61	55	68	60	54	66	59	54		
	55	96	85				6	63	54	48	62	54	48	60	53	48		
	65	45	46				7	57	49	43	56	49	43	55	48	43		
	75	16	18				8	52	44	39	52	44	39	50	44	39		
	85	4	5				9	48	41	35	48	40	35	47	40	35		
	90	0					10	45	37	32	44	37	32	43	37	32		

Initial FC		50% beam -		10% beam -			
Mounting	Center	Height	Beam	Diameter	FC	Diameter	FC
		8.0	9.8	6.4	4.9	13.6	1.0
		10.0	5.3	8.8	2.6	18.5	0.5
		12.0	3.3	11.1	1.6	23.4	0.3
		14.0	2.2	13.5	1.1	28.3	0.2
		16.0	1.6	15.8	0.8	33.3	0.2

4BEMW LED, 30K, input watts: 10.8, delivered lumens: 621, LM/W = 58, test no. LTL26510, tested in accordance with IESNA LM 79-08

Distribution Curve	Ave Lumens			Zone Lumens % Lamp			pf pc pw	80%			20% 70%			50%			50% beam - 61.0°	10% beam - 102.0°
	Ave	Lumens	% Lamp	Lumens	% Lamp	50%		30%	10%	50%	30%	10%	50%	30%	10%			
	0	5	15	25	35	45		55	65	75	85	90	0° - 30°	0° - 40°	0° - 60°	0° - 90°		
	0	293		0° - 30°	221.7	35.7	0	119	119	119	116	116	116	111	111	111		
	5	292	28	0° - 40°	350.8	56.4	1	107	103	100	104	101	98	100	97	95		
	15	279	79	0° - 60°	552.6	88.9	2	95	89	84	93	88	83	90	85	81		
	25	251	115	0° - 90°	621.4	100.0	3	85	78	72	83	77	71	80	75	70		
	35	207	129	90° - 180°	0.0	0.0	4	76	68	62	75	68	62	72	66	61		
	45	152	117	0° - 180°	621.4	*100.0	5	69	61	55	68	60	54	66	59	54		
	55	95	85				6	62	54	48	62	54	48	60	53	48		
	65	46	46				7	57	49	43	56	49	43	55	48	43		
	75	16	18				8	52	44	39	52	44	39	50	44	39		
	85	4	5				9	48	41	35	48	40	35	47	40	35		
	90	0					10	45	37	32	44	37	32	43	37	32		

Initial FC		50% beam -		10% beam -			
Mounting	Center	Height	Beam	Diameter	FC	Diameter	FC
		8.0	9.7	6.5	4.8	13.6	1.0
		10.0	5.2	8.8	2.6	18.5	0.5
		12.0	3.2	11.2	1.6	23.5	0.3
		14.0	2.2	13.5	1.1	28.4	0.2
		16.0	1.6	15.9	0.8	33.3	0.2

4BEMW LED, 40K, 10.8, delivered lumens: 663, LM/W = 61, test no. LTL26511, tested in accordance with IESNA LM 79-08

Distribution Curve	Ave Lumens			Zone Lumens % Lamp			pf pc pw	80%			20% 70%			50%			50% beam - 60.8°	10% beam - 101.8°
	Ave	Lumens	% Lamp	Lumens	% Lamp	50%		30%	10%	50%	30%	10%	50%	30%	10%			
	0	5	15	25	35	45		55	65	75	85	90	0° - 30°	0° - 40°	0° - 60°	0° - 90°		
	0	315		0° - 30°	237.4	35.8	0	119	119	119	116	116	116	111	111	111		
	5	314	30	0° - 40°	375.4	56.6	1	107	103	100	104	101	98	100	98	95		
	15	299	84	0° - 60°	590.5	89.1	2	95	89	84	93	88	83	90	85	81		
	25	269	124	0° - 90°	662.9	100.0	3	85	78	72	83	77	71	80	75	70		
	35	221	138	90° - 180°	0.0	0.0	4	76	68	62	75	68	62	73	66	61		
	45	162	124	0° - 180°	662.9	*100.0	5	69	61	55	68	60	54	66	59	54		
	55	102	91				6	63	54	48	62	54	48	60	53	48		
	65	49	49				7	57	49	43	56	49	43	55	48	43		
	75	17	19				8	52	44	39	52	44	39	50	44	39		
	85	4	5				9	48	41	35	48	40	35	47	40	35		
	90	0					10	45	37	32	44	37	32	43	37	32		

Initial FC		50% beam -		10% beam -			
Mounting	Center	Height	Beam	Diameter	FC	Diameter	FC
		8.0	10.4	6.4	5.2	13.5	1.0
		10.0	5.6	8.8	2.8	18.4	0.6
		12.0	3.5	11.1	1.7	23.4	0.4
		14.0	2.4	13.5	1.2	28.3	0.2
		16.0	1.7	15.8	0.9	33.2	0.2

4BEMW LED, 27K, 90CRI, input watts: 9.28, delivered lumens: 590, LM/W=64, test no. LTL28948P1, tested in accordance with IESNA LM79-08

Distribution Curve	Ave Lumens			Zone Lumens % Lamp			pf pc pw	80%			20% 70%			50%			50% beam - 62.1°	10% beam - 104.4°
	Ave	Lumens	% Lamp	Lumens	% Lamp	50%		30%	10%	50%	30%	10%	50%	30%	10%			
	0	5	15	25	35	45		55	65	75	85	90	0° - 30°	0° - 40°	0° - 60°	0° - 90°		
	0	261		0° - 30°	199.1	33.7	0	119	119	119	116	116	116	111	111	111		
	5	260	25	0° - 40°	319.1	54.1	1	106	103	99	104	101	98	100	97	95		
	15	249	70	0° - 60°	521.0	88.3	2	94	88	83	93	87	82	89	84	81		
	25	227	104	0° - 90°	589.9	100.0	3	84	77	71	83	76	70	80	74	69		
	35	192	120	90° - 180°	0.0	0.0	4	75	67	61	74	67	61	72	65	60		
	45	148	114	0° - 180°	589.9	*100.0	5	68	60	53	67	59	53	65	58	53		
	55	98	88				6	61	53	47	61	53	47	59	52	47		
	65	47	47				7	56	48	42	55	47	42	54	47	42		
	75	15	17				8	51	43	38	51	43	38	49	42	37		
	85	4	5				9	47	39	34	47	39	34	46	39	34		
	90	0					10	44	36	31	43	36	31	42	36	31		

Initial FC		50% beam -		10% beam -			
Mounting	Center	Height	Beam	Diameter	FC	Diameter	FC
		8.0	8.6	6.6	4.3	14.2	0.9
		10.0	4.6	9.0	2.3	19.3	0.5
		12.0	2.9	11.4	1.4	24.5	0.3
		14.0	2.0	13.8	1.0	29.6	0.2
		16.0	1.4	16.2	0.7	34.8	0.1

4BEMW LED, 30K, 90CRI, input watts: 9.7, delivered lumens: 625, LM/W=64, test no. LTL28947P1, tested in accordance with IESNA LM79-08

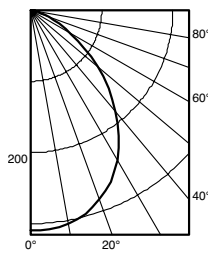
Distribution Curve	Ave Lumens			Zone Lumens % Lamp			pf pc pw	80%			20% 70%			50%			50% beam - 60.5°	10% beam - 101.0°
	Ave	Lumens	% Lamp	Lumens	% Lamp	50%		30%	10%	50%	30%	10%	50%	30%	10%			
	0	5	15	25	35	45		55	65	75	85	90	0° - 30°	0° - 40°	0° - 60°	0° - 90°		
	0	301		0° - 30°	226.8	36.3	0	119	119	119	116	116	116	111	111	111		
	5	300	28	0° - 40°	356.7	57.1	1	107	103	100	104	101	98	100	97	95		
	15	286	81	0° - 60°	554.6	88.7	2	95	89	84	93	88	83	90	85	81		
	25																	

4" LED Module

PHOTOMETRICS

Distribution Curve	Distribution Data	Output Data	Coefficient of Utilization	Illuminance Data at 30" Above Floor for a Single Luminaire
--------------------	-------------------	-------------	----------------------------	--

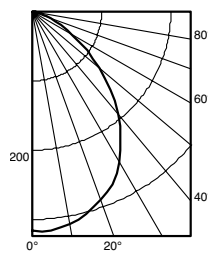
4BEMW LED, 40K, input watts: 9.63, delivered lumens: 640, LM/W = 66.46, test no. ISF30028, tested in accordance with IESNA LM79-08



Ave Lumens	Zone	Lumens	% Lamp	pf	80%			70%			50%			50% beam - 60.7°	10% beam - 101.0°
					pc	50%	30%	10%	50%	30%	10%	50%	30%		
0	0°-30°	234.6	36.6	0	119	119	119	116	116	116	111	111	111		
5	0°-40°	369.2	57.7	1	107	103	100	104	101	98	100	98	95		
15	0°-60°	571.6	89.3	2	95	89	84	93	88	83	90	85	82		
25	0°-90°	640.0	100.0	3	85	78	72	84	77	72	81	75	70		
35	90°-180°	0.0	0.0	4	77	69	63	75	68	62	73	67	62		
45	0°-180°	640.0	*100.0	5	69	61	55	68	61	55	66	59	54		
55			*Efficiency	6	63	55	49	62	54	49	60	53	48		
65				7	58	49	44	57	49	44	55	48	43		
75				8	53	45	40	52	45	39	51	44	39		
85				9	49	41	36	48	41	36	47	40	36		
90				10	45	38	33	45	38	33	44	37	33		

Mounting		Initial FC		50% beam - 60.7°		10% beam - 101.0°	
Height	Beam	Diameter	FC	Diameter	FC	Diameter	FC
8.0	10.2	6.4	5.1	13.3	1.0		
10.0	5.5	8.8	2.8	18.2	0.5		
12.0	3.4	11.1	1.7	23.0	0.3		
14.0	2.3	13.5	1.2	27.9	0.2		
16.0	1.7	15.8	0.9	32.7	0.2		

4BEMW LED, 50K, input watts: 9, delivered lumens: 648, LM/W = 72.22, test no. ISF29994, tested in accordance with IESNA LM79-08



Ave Lumens	Zone	Lumens	% Lamp	pf	80%			70%			50%			50% beam - 61.2°	10% beam - 101.1°
					pc	50%	30%	10%	50%	30%	10%	50%	30%		
0	0°-30°	240.8	36.5	0	119	119	119	116	116	116	111	111	111		
5	0°-40°	380.0	57.7	1	107	103	100	104	101	98	100	98	95		
15	0°-60°	588.8	89.4	2	95	89	84	93	88	83	90	85	82		
25	0°-90°	658.9	100.0	3	85	78	72	84	77	72	81	75	70		
35	90°-180°	0.0	0.0	4	77	69	63	75	68	62	73	67	62		
45	0°-180°	658.9	*100.0	5	69	61	55	68	61	55	66	59	54		
55			*Efficiency	6	63	55	49	62	54	49	60	53	48		
65				7	57	49	44	57	49	44	55	48	43		
75				8	53	45	40	52	45	39	51	44	39		
85				9	49	41	36	48	41	36	47	40	36		
90				10	45	38	33	45	38	33	44	37	33		

Mounting		Initial FC		50% beam - 61.2°		10% beam - 101.1°	
Height	Beam	Diameter	FC	Diameter	FC	Diameter	FC
8.0	10.5	6.5	5.2	13.4	1.0		
10.0	5.6	8.9	2.8	18.2	0.6		
12.0	3.5	11.2	1.8	23.1	0.3		
14.0	2.4	13.6	1.2	28.0	0.2		
16.0	1.7	16.0	0.9	32.8	0.2		

ADDITIONAL DATA 4BEMW LED 27K

ENERGY DATA*		
	CRI - 82	CRI - 90
Lumens	530L	600L
Min. starting temp	-18°C (0°F)	
Max. temp	46°C (115°F)	
EMI/RFI	FCC Title 47 CFR, Part 15, Class B	
Sound rating	A standards	
Input voltage	120V	
Min. power factor	0.99	
Input frequency	50/60 Hz	
Rated wattage	10.3W	9.71W
Input power	10.3W	9.71W
Input current	.11A	

*Values at non-dimming line voltage.

ADDITIONAL DATA 4BEMW LED 30K

ENERGY DATA*		
	CRI - 82	CRI - 90
Lumens	570L	600L
Min. starting temp	-18°C (0°F)	
Max. temp	46°C (115°F)	
EMI/RFI	FCC Title 47 CFR, Part 15, Class B	
Sound rating	A standards	
Input voltage	120V	
Min. power factor	0.99	
Input frequency	50/60 Hz	
Rated wattage	10.3W	9.71W
Input power	10.3W	9.71W
Input current	.11A	

*Values at non-dimming line voltage.

ADDITIONAL DATA 4BEMW LED 40K

ENERGY DATA*	
	CRI - 82
Lumens	600L
Min. starting temp	-18°C (0°F)
Max. temp	46°C (115°F)
EMI/RFI	FCC Title 47 CFR, Part 15, Class B
Sound rating	A standards
Input voltage	120V
Min. power factor	0.99
Input frequency	50/60 Hz
Rated wattage	10.3W
Input power	10.3W
Input current	.11A

*Values at non-dimming line voltage.

4" LED Module

LIGHTING FACTS

Lithonia Lighting

LED lighting facts
A Program of the U.S. DOE

Light Output (Lumens)	530
Watts	10.6
Lumens per Watt (Efficacy)	50

Color Accuracy Color Rendering Index (CRI)	81
---	----

Light Color
Correlated Color Temperature (CCT) **2700 (Warm White)**

2700K 3000K Bright White 4500K Daylight 6500K

All results are according to IESNA LM-79-2008: Approved Method for the Electrical and Photometric Testing of Solid-State Lighting. The U.S. Department of Energy (DOE) verifies product test data and results.

Visit www.lightingfacts.com for the Label Reference Guide.

Registration Number: JB22-9KZSB6 (1/11/2014)
Model Number: 4BEMW LED 27K (Upgrade: 10/23/2014)
Type: Luminaire - Downlight

Lithonia Lighting

LED lighting facts
A Program of the U.S. DOE

Light Output (Lumens)	570
Watts	10.6
Lumens per Watt (Efficacy)	53.77

Color Accuracy Color Rendering Index (CRI)	83
---	----

Light Color
Correlated Color Temperature (CCT) **3000 (Bright White)**

2700K 3000K Bright White 4500K Daylight 6500K

All results are according to IESNA LM-79-2008: Approved Method for the Electrical and Photometric Testing of Solid-State Lighting. The U.S. Department of Energy (DOE) verifies product test data and results.

Visit www.lightingfacts.com for the Label Reference Guide.

Registration Number: JB22-WWYSEU (1/11/2014)
Model Number: 4BEMW LED 30K (Upgrade: 10/23/2014)
Type: Luminaire - Downlight

Lithonia Lighting

LED lighting facts
A Program of the U.S. DOE

Light Output (Lumens)	600
Watts	10.6
Lumens per Watt (Efficacy)	56.6

Color Accuracy Color Rendering Index (CRI)	84
---	----

Light Color
Correlated Color Temperature (CCT) **4000 (Bright White)**

2700K 3000K Bright White 4500K Daylight 6500K

All results are according to IESNA LM-79-2008: Approved Method for the Electrical and Photometric Testing of Solid-State Lighting. The U.S. Department of Energy (DOE) verifies product test data and results.

Visit www.lightingfacts.com for the Label Reference Guide.

Registration Number: JB22-D10TPW (1/11/2014)
Model Number: 4BEMW LED 40K (Upgrade: 10/23/2014)
Type: Luminaire - Downlight

Lithonia Lighting

LED lighting facts
A Program of the U.S. DOE

Light Output (Lumens)	600
Watts	9.77
Lumens per Watt (Efficacy)	61.41

Color Accuracy Color Rendering Index (CRI)	90
---	----

Light Color
Correlated Color Temperature (CCT) **2700 (Warm White)**

2700K 3000K Bright White 4500K Daylight 6500K

All results are according to IESNA LM-79-2008: Approved Method for the Electrical and Photometric Testing of Solid-State Lighting. The U.S. Department of Energy (DOE) verifies product test data and results.

Visit www.lightingfacts.com for the Label Reference Guide.

Registration Number: JB22-OP5GK3 (9/24/2015)
Model Number: 4BEMW LED 27K 90CRI
Type: Retrofit Kit - Downlight

Lithonia Lighting

LED lighting facts
A Program of the U.S. DOE

Light Output (Lumens)	630
Watts	9.71
Lumens per Watt (Efficacy)	64.88

Color Accuracy Color Rendering Index (CRI)	91
---	----

Light Color
Correlated Color Temperature (CCT) **3000 (Bright White)**

2700K 3000K Bright White 4500K Daylight 6500K

All results are according to IESNA LM-79-2008: Approved Method for the Electrical and Photometric Testing of Solid-State Lighting. The U.S. Department of Energy (DOE) verifies product test data and results.

Visit www.lightingfacts.com for the Label Reference Guide.

Registration Number: JB22-YDALTI (9/24/2015)
Model Number: 4BEMW LED 30K 90CRI
Type: Retrofit Kit - Downlight

Lithonia Lighting

LED lighting facts
A Program of the U.S. DOE

Light Output (Lumens)	640
Watts	9.63
Lumens per Watt (Efficacy)	66.46

Color Accuracy Color Rendering Index (CRI)	93
---	----

Light Color
Correlated Color Temperature (CCT) **4000 (Bright White)**

2700K 3000K Bright White 4500K Daylight 6500K

All results are according to IESNA LM-79-2008: Approved Method for the Electrical and Photometric Testing of Solid-State Lighting. The U.S. Department of Energy (DOE) verifies product test data and results.

Visit www.lightingfacts.com for the Label Reference Guide.

Registration Number: JB22-MZJAP (Revised 2/11/2016)
Model Number: 4BEMW LED 40K 90CRI
Type: Retrofit Kit - Downlight

Lithonia Lighting

LED lighting facts
A Program of the U.S. DOE

Light Output (Lumens)	650
Watts	9
Lumens per Watt (Efficacy)	72.22

Color Accuracy Color Rendering Index (CRI)	81
---	----

Light Color
Correlated Color Temperature (CCT) **5000 (Daylight)**

2700K 3000K Bright White 4500K Daylight 6500K

All results are according to IESNA LM-79-2008: Approved Method for the Electrical and Photometric Testing of Solid-State Lighting. The U.S. Department of Energy (DOE) verifies product test data and results.

Visit www.lightingfacts.com for the Label Reference Guide.

Registration Number: JB22-NY4HUQ (Revised 2/11/2016)
Model Number: 4BEMW LED 50K
Type: Retrofit Kit - Downlight