

FEATURES & SPECIFICATIONS

INTENDED USE

The LED Décor round provides an attractive, low-cost, and energy-efficient lighting solution in residential and light commercial applications. Ideal for use in foyers, hallways, bedrooms, closets, offices, utility work areas, stairways and many other areas.

CONSTRUCTION

Deco-styled fixture with choice of white, brushed nickel or bronze housing and matching decorative center finial. Softly rounded, molded, white glass diffuser for a widespread, uniform illumination. Center finial provides easy access for cleaning and maintenance.

OPTICS

The 10" produces 960 lumens, the 14" 1570 lumens at 30,000 hours of life.

ELECTRICAL

Fixture operates at 120 volts, 60Hz. Standard input = 10": 20 watts, 48 lumens per watt; 14": 30 watts, 52 lumens per watt.

Actual wattage may differ by +/- 5% when operating at 120V +/- 10%.

Works with most standard incandescent dimmers (see list of approved dimmers).

INSTALLATION

All mounting hardware included.

LISTINGS

cUL Certified to US and Canadian safety standards and listed suitable for damp locations.

WARRANTY

5-year limited warranty. Complete warranty terms located at www.acuitybrands.com/CustomerResources/Terms_and_conditions.aspx

Actual performance may differ as a result of end-user environment and application.

Note: Specifications subject to change without notice.

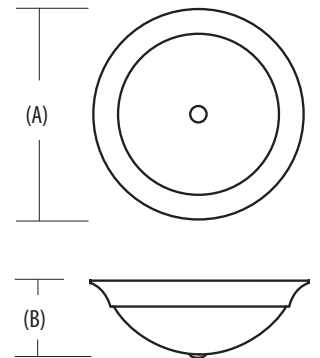
Catalog Number
Notes
Type

Decorative Indoor

LED Décor Round Flush Mount



ESSENTIALS COLLECTION



	Specifications	
	10"	14"
(A) Width:	9.6 (24.3)	14.1 (35.7)
(B) Extension*:	3.9 (9.8)	5.25 (13.3)
Weight:	2 lbs (.9 kg)	3.5 lbs (1.6 kg)

* Extension from ceiling.
All dimensions are inches (centimeters) unless otherwise indicated.

ORDERING INFORMATION

For shortest lead times, configure product using **bolded options**.

Example: FMDECL 10 14830 BN

Series	Module/CRI	Color Temperature	Finish	Options
FMDECL 10 10" Flush mount LED Décor	148 > 80 CRI	40 4000K 35 3500K ¹	WH White BN Brushed nickel	(Consult factory)
FMDECL 14 14" Flush mount LED Décor	208 > 80 CRI	30 3000K 27 2700K ¹	BZ Bronze	

Accessories/Replacement parts: Order as separate catalog number.	
DFMDECL 10	Glass diffuser, 10"
DFMDECL 14	Glass diffuser, 14"

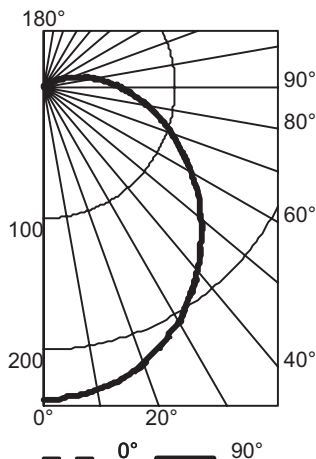
Notes

1 Minimum 90-day lead time for non-standard color temperatures; minimum 50 order quantity.

LED Decor Flush Mount

PHOTOMETRICS

FMDECL 10 14830 BZ, 958.76 delivered lumens, test no. LTL 26568S tested in accordance to IESNA LM-79.



CP Summary

	0°	90
0°	238	238
5°	237	236
15°	231	230
25°	216	215
35°	196	194
45°	171	169
55°	145	144
65°	118	116
75°	94	92
85°	70	68
90	60	58

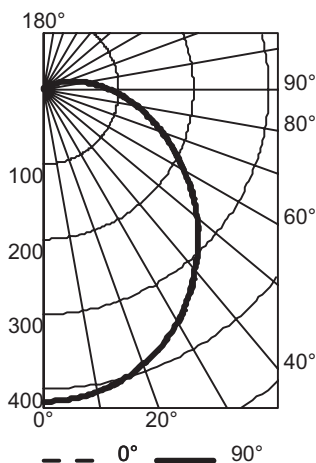
Coefficients of Utilization

pc	pw	20%								
		80%			70%			50%		
		70%	50%	30%	50%	30%	10%	50%	30%	10%
0	116	116	116	112	112	112	105	105	105	
1	103	97	92	94	89	84	87	83	80	
2	93	83	75	80	73	67	75	69	63	
3	84	72	63	70	61	54	65	58	52	
4	76	63	54	61	52	45	57	50	44	
5	70	56	47	54	45	39	51	43	37	
6	65	50	41	49	40	34	46	38	32	
7	60	46	36	44	36	29	42	34	28	
8	55	41	33	40	32	26	38	31	25	
9	52	38	29	37	29	23	35	28	23	
10	48	35	27	34	26	21	32	25	20	

Zonal Lumen Summary

Zone	Lumens	% Lamp	% Fixture
0° - 30°	187	19.4	19.4
0° - 40°	308	32.1	32.1
0° - 60°	568	59.1	59.1
0° - 90°	856	89.1	89.1
90° - 120°	100	10.4	10.4
90° - 130°	104	10.9	10.9
90° - 150°	105	10.9	10.9
90° - 180°	105	10.9	10.9
0° - 180°	960	100.0	100.0

FMDECL 14 20830 WH, 1569.27 delivered lumens, test no. LTL 26569S tested in accordance to IESNA LM-79.



CP Summary

	0°	90
0°	417	417
5°	415	415
15°	404	402
25°	377	376
35°	340	337
45°	293	291
55°	245	242
65°	194	192
75°	149	146
85°	108	106
90	90	87

Coefficients of Utilization

pc	pw	20%								
		80%			70%			50%		
		70%	50%	30%	50%	30%	10%	50%	30%	10%
0	117	117	117	113	113	113	106	106	106	
1	104	98	93	95	90	85	89	85	81	
2	93	84	76	81	74	68	76	70	65	
3	85	73	64	71	62	56	66	59	53	
4	77	64	55	62	53	47	58	51	45	
5	71	57	48	55	46	40	52	44	39	
6	65	51	42	50	41	35	47	39	33	
7	60	46	37	45	36	30	43	35	29	
8	56	42	33	41	33	27	39	32	26	
9	52	39	30	38	30	24	36	29	24	
10	49	36	27	35	27	22	33	26	21	

Zonal Lumen Summary

Zone	Lumens	% Lamp	% Fixture
0° - 30°	326	20.6	20.6
0° - 40°	537	33.9	33.9
0° - 60°	979	61.8	61.8
0° - 90°	1441	90.9	90.9
90° - 120°	139	8.8	8.8
90° - 130°	144	9.1	9.1
90° - 150°	145	9.1	9.1
90° - 180°	145	9.1	9.1
0° - 180°	1586	100.0	100.0

SUGGESTED DIMMERS

The Decor is designed to operate with most standard Triac Based dimmers and is not compatible with 0-10v dimming systems. The following is a list of dimmers tested and does not imply any guarantee or warranty of compatibility with a particular application. Unlisted dimmers do not imply non-compatibility.

Manufacturer	Part number(s)
Lutron	CT-600P/CT-603P
	DV-600P/DV-603P
	CTCL-153P
	DVCL-153P
	AYCL-153P
	DVELV-300P
Leviton	R50-IPL06
	6615-P
Pass & Seymour	HCL453PTCCCV6