

FEATURES & SPECIFICATIONS

CONSTRUCTION — Surface or stem-mounted lensed fixture for general illumination in commercial offices and retail applications. **Certain airborne contaminants can diminish integrity of acrylic.** [Click here for Acrylic Environmental Compatibility table for suitable uses.](#)

CONSTRUCTION — Housing formed from cold-rolled steel. Plasma seam welded corners provide a clean finish and eliminate light leaks. Standard steel door frame has superior structural integrity with premium extruded appearance and precision flush mitered corners. Steel door allows easy lens replacement without frame disassembly. Powder-painted steel latches provide easy, secure door closure. Superior mechanical light seal requires no foam gasketing.

Finish: Five-stage iron-phosphate pretreatment ensures superior paint adhesion and rust resistance. Painted parts finished with high-gloss, baked white enamel.

OPTICS — Standard pattern #12 lens is 100% virgin acrylic. Other lenses and diffusers available.

ELECTRICAL — Standard ballast is electronic, thermally protected, resetting, Class P, HPF, non-PCB, UL Listed, CSA certified ballast. Universal voltage. Sound rated A.

Luminaire is suitable for damp locations. AWM, TFN or THHN wire used throughout, rated for required temperatures.

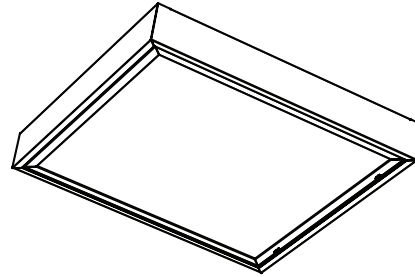
LISTINGS — Standard: UL and CSA certified.

WARRANTY — 1-year limited warranty. Complete warranty terms located at www.acuitybrands.com/CustomerResources/Terms_and_conditions.aspx

Actual performance may differ as a result of end-user environment and application.

Note: Specifications subject to change without notice.

Catalog Number
Notes
Type



Modular Commercial

M 2X2

COMPACT FLUORESCENT

Straight and U-lamps
2, 3 or 4 lamps

Specifications

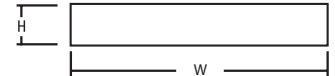
Length: 24 (61)

Width: 24-1/4 (61.6)

Height: 3-1/2 (8.9)

Weight: 14 lbs. (6.4 kg.)

All dimensions are inches (centimeters) unless otherwise indicated.



ORDERING INFORMATION

For shortest lead times, configure products using **standard options (shown in bold)**.

Example: 2M 2 U316 A12125 MVOLT GEB1015

2M												
Series	Lamps	Lamp Type		Frame Type		Diffuser		Voltage	Options			
2M	2 3 4 ¹	U316	32W T8 U (6" leg, 24")	blank	Flush steel, white	A12	#12 pattern acrylic	347 MVOLT Others available	Shipped installed in fixture			
			17W T8 (24")	FN	Flush aluminum, natural	A12125	#12 pattern acrylic, .125" thick			1/3	One 3-lamp ballast	
			32W T8 (24")	FM	Flush aluminum, matte black	A19	#19 pattern acrylic, .156" thick			1/4	One 4-lamp ballast	
			40W TT5 (24") ²	FW	Flush aluminum, white	PC1S	1/2" x 1/2" x 1/2" plastic cube louver, silver			GEB101S	Electronic ballast, ≤10% THD, instant start (T8 only)	
			14W T5 (24")		RN	Regressed aluminum, natural	PC2S			1-1/2" x 1-1/2" x 1-1/2" plastic cube louver, silver w/ flange ³	GEB10RS	Electronic ballast, ≤10% THD, rapid start
			24W T5H0 (24")		RM	Regressed aluminum, matte black	PC3S			3/4" x 3/4" x 1/2" plastic cube louver, silver	GEB10PS	Electronic ballast, ≤10% THD, programmed start ³
	RW	Regressed aluminum, white				EL6	Emergency battery pack (nominal 600 lumens) ⁴					
						GLR	Internal fast-blow fuse					
						GMF	Internal slow-blow fuse					
							LP835	Lamped; 800-series; 3500 K				
							LP841	Lamped; 800-series; 4100 K				
							FTC	Top of fixture fully enclosed				
							CRE	Continuous row, end (KO in shroud end)				
							CRM	Continuous row, middle (KO in both ends)				
							NOM	NOM Certified				

Accessories: Order as separate catalog number	
SQ	Swivel stem hanger (specify length in 2" increments).
1B	Ceiling spacer (1-1/2" to 2-1/2" from ceiling).

Notes

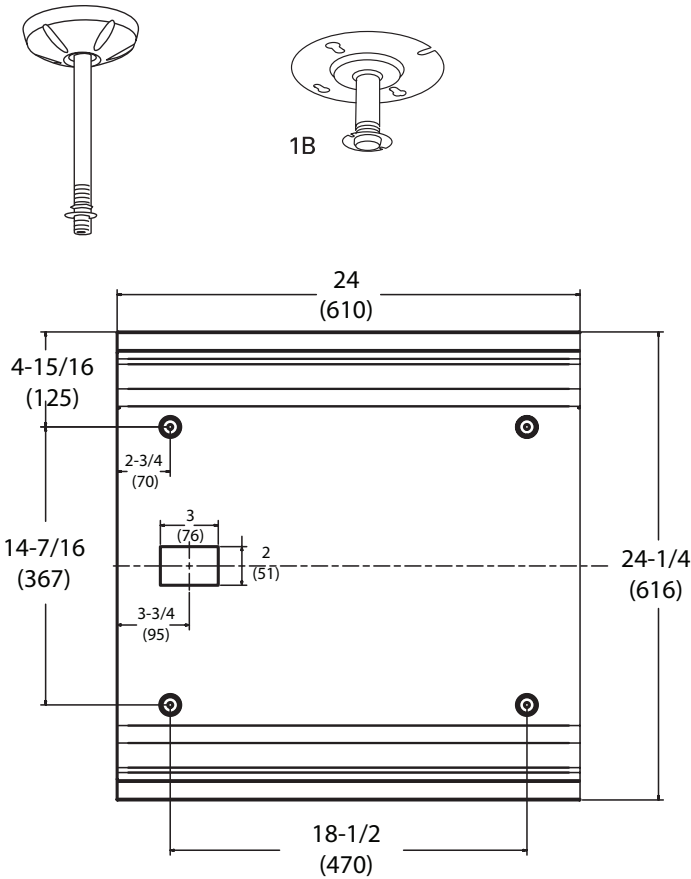
- Four-lamp models available with 14W and 17W straight-tube lamps only.
- Not available on three- or four-lamp models (use U31).
- Not available with compact fluorescent or 347V with T8 lamps -- use GEB10RS.
- Not available on three- or four-lamp models.

M-2X2 Modular Commercial

MOUNTING DATA

For unit or row installation. Surface or stem mounting.

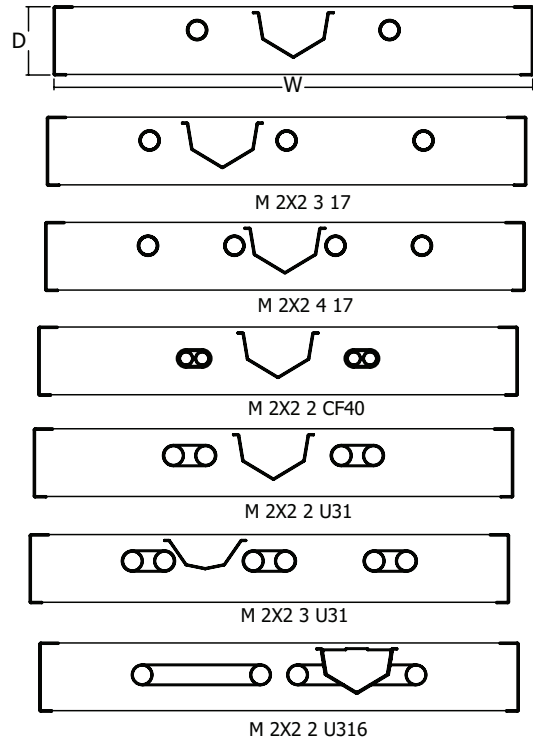
UNIT/ROW INSTALLATION — When stem-mounting, four stems are recommended per fixture.



DIMENSIONS

All dimensions are inches (millimeters). Specifications subject to change without notice.

D = 3.5"
W = 24.25"
L = 24"



Energy (Calculated in accordance with NEMA standard LE-5)

LER,FW	ANNUAL ENERGY COST*	LAMP DESCRIPTION	LAMP LUMENS	BALLAST FACTOR	WATTS
61	\$3.93	(2) 32W U T8	2800	.88	58

*Calculated in accordance with NEMA Standards LE-5.

PHOTOMETRICS

Calculated using the zonal cavity method in accordance with IESNA LM41 procedure. Floor reflectances are 20%. Lamp configurations shown are typical. All data based on 25°C. Full photometric data on these and other configurations available upon request.

TEST NO: LTL18549

LUMINAIRE CATALOG NO.: 2M 2 U316 A12 MVOLT GEB10IS

LUMENS PER LAMP: 2850

TEST NO: LTL18594

LUMINAIRE CATALOG NO.: 2M 2 17 A12 MVOLT GEB10IS

LUMENS PER LAMP: 1350

Coefficients of Utilization

ROR	pf	pc	pw	Coefficients of Utilization								
				80%			70%			50%		
				50%	30%	10%	50%	30%	10%	50%	30%	10%
0	85	85	85	83	83	83	80	80	80			
1	75	73	70	74	71	69	71	69	67			
2	67	62	58	65	61	58	63	59	56			
3	59	54	49	58	53	49	56	52	48			
4	53	47	42	52	46	42	50	45	42			
5	48	41	37	47	41	37	45	40	36			
6	43	37	33	42	37	32	41	36	32			
7	39	33	29	39	33	29	37	32	29			
8	36	30	26	35	30	26	34	29	26			
9	33	27	23	33	27	23	32	27	23			
10	30	25	21	30	25	21	29	25	21			

Coefficients of Utilization

ROR	pf	pc	pw	Coefficients of Utilization								
				80%			70%			50%		
				50%	30%	10%	50%	30%	10%	50%	30%	10%
0	84	84	84	82	82	82	78	78	78			
1	74	71	68	72	70	67	69	67	65			
2	65	61	57	64	60	56	61	58	55			
3	58	52	48	57	52	48	54	50	47			
4	51	46	41	51	45	41	49	44	40			
5	46	40	36	45	40	36	44	39	35			
6	42	36	31	41	35	31	40	35	31			
7	38	32	28	37	32	28	36	31	28			
8	35	29	25	34	29	25	33	28	25			
9	32	26	22	31	26	22	31	26	22			
10	29	24	20	29	24	20	28	24	20			

Zonal Lumen Summary

Zone	Lumens	% Lamp	% Fixture
0° - 30°	1296.6	22.7	31.8
0° - 40°	2120.0	37.2	51.9
0° - 60°	3484.2	61.1	85.4
0° - 90°	4081.1	71.6	100.0
90° - 180°	0.0	0.0	0.0
0° - 180°	4081.1	71.6	100.0

Zonal Lumen Summary

Zone	Lumens	% Lamp	% Fixture
0° - 30°	581.1	21.5	30.7
0° - 40°	960.9	35.6	50.7
0° - 60°	1608.3	59.6	84.9
0° - 90°	1894.0	70.1	100.0
90° - 180°	0.0	0.0	0.0
0° - 180°	1894.0	70.1	100.0