

FEATURES & SPECIFICATIONS

INTENDED USE — The industry's next generation in linear direct fluorescent products. This new compact, low-profile design offers our customers unique product features which improve the overall installation process and appearance while reducing labor cost, making it the most versatile solution for commercial, retail, manufacturing, warehouse, and cove and display applications.

ATTRIBUTES — Designed to accommodate a wide variety of T5 and T5HO lamp lengths. Channel offers the gripper back feature which strengthens the overall construction and allows for the use of the Z spring hanger (see back). Patent-pending channel cover offers a secure fit design allowing for quick attachment and easy access without pinching wires.

CONSTRUCTION — Constructed to comply with New York City electric code. Made in USA.

Compact designed channel and cover are formed from code-gauge cold-rolled steel. Locking lamp holder tracks bolsters strength of the overall strip construction while creating improved lamp stability. Design includes T5 socket, features rotating collar and enclosed contacts. Patented-pending "three-point" row connector locks channel together for straighter and faster rows mounting; included as standard.

FINISH — High-gloss, baked white enamel finish (white standard). Five-stage iron-phosphate pretreatment ensures superior paint adhesion and rust resistance. Other channel paint finish options: black (MB), smoke gray (SKGY) and galvanized (GALV).

OPTICAL — Reflector options include solid designs in both symmetric and asymmetric configurations. Consult factory for different-apertured versions.

ELECTRICAL SYSTEM — Thermally protected, resetting, Class P, HPF, non-PCB, UL listed.

Suitable for damp locations. AWN, TFN or THHN wire used throughout, rated for required temperatures.

INSTALLATION — Patented-pending "three-point" row connector locks channels together for straighter and faster rows mounting; included as standard. Ideal for surface-mount or suspended.

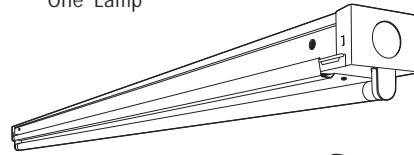
Catalog Number	
Notes	Type



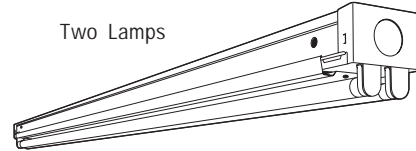
Low-Profile T5 Striplight

Z NY

One Lamp



Two Lamps



Linear Lamps
1 or 2 Lamps

Specifications

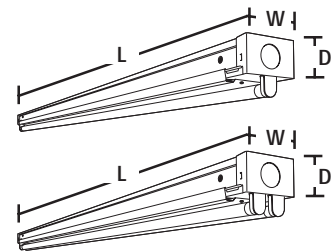
Length: 22-3/8 (56.8), 34-1/8 (86.7),
46 (116.8) or 92 (233.7)

Width: 2-1/8 (5.4)

Depth: 1-1/2 (3.8)

Weight: 7.1 lbs (3.2 kg)

All dimensions are inches (centimeters).



LISTING — UL Listed, CUL Listed or CSA Certified to Canadian Standards.

WARRANTY — Guaranteed for one year against mechanical defects in manufacture.

ORDERING INFORMATION

For shortest lead times, configure product using **standard options (shown in bold)**.

Example: Z 1 54T5HO Z5SMR46 MVOLT GEB10PS

Series	Number of lamps	Lamp type	Configuration	Voltage	Options
Z Compact T5	1	14T5 14W T5 (22") 21T5 21W T5 (34") 24T5HO 24W T5 HO (22") 28T5 28W T5 (46") 39T5HO 39W T5 HO (34") 54T5HO 54W T5 HO (46")	(blank) No reflector Z5ASMR46 46" asymmetric reflector Z5SMR46 46" symmetric reflector Other lengths available. See Accessories.	MVOLT² 120 277 347 ¹ Others available.	GEB10PS Electronic ballast, <10% THD, program start S5 0.95 ballast factor SIMPLY5™ system ⁴ S5115 1.15 ballast factor SIMPLY5™ system ⁴ PLF_ Plug-in wiring, specify 1, 2 or 3 branch circuits and hot wires (A=black, B=red, C=blue, AB or AC) EL55 Emergency battery pack (nominal 390-700 lumens; consult factory for additional battery packs) ⁴ EL65 Emergency battery pack (nominal 725-1325 lumens)
For tandem double-length unit, add prefix T.1 Example: TZ	Not included.				CSA CSA Certified ⁸ NY I.B.E.W. union made, NYC code compliant

Paint finish	Reflector type
(blank) White MB Matte black GALV Galvanized SKGY Smoke gray	(blank) Solid

Accessories

Order as separate catalog numbers.

SQ_ Swivel-stem hanger (specify length in 2" increments)
ZSPRG Tong and T-grid hanger
Z5SMR46 Symmetric reflector, 46" white
Z5ASR46 Asymmetric reflector, 46" white
Z5SMR34 Symmetric reflector, 34" white
Z5ASR34 Asymmetric reflector, 34" white
Z5SMR22 Symmetric reflector, 22" white
Z5ASR22 Asymmetric reflector, 22" white
WGZ46 46" wireguard, white
WGZ5SMR46 46" wireguard, white, for symmetric reflector
WGZ5ASR46 46" wireguard, white, for asymmetric reflector
MS5ACF_ Adjustable aircraft cable system with power feed (specify length as 36, 72 or 108 inches)
MS5AC_ Adjustable aircraft cable system (specify 36, 72 or 108 inches)

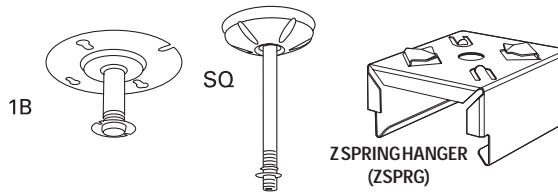
NOTES:

- 1 Only available with 28W and 54W.
- 2 MVOLT (120-277V), 50-60HZ
- 3 Specify voltage.
- 4 SIMPLY5 system includes a 13" S5SSC RELOC® wiring system. Specify voltage unless hardwire (HW) or PWS is ordered.
- 5 Available with 3', 4' and 8' lengths only.
- 6 120-277V only for power feed.
- 7 Standard wire size for power feed is 18 gauge. For 12 gauge add **12AWG** to the end of catalog number. Consult factory for length of runs and required wire size.
- 8 347V only.

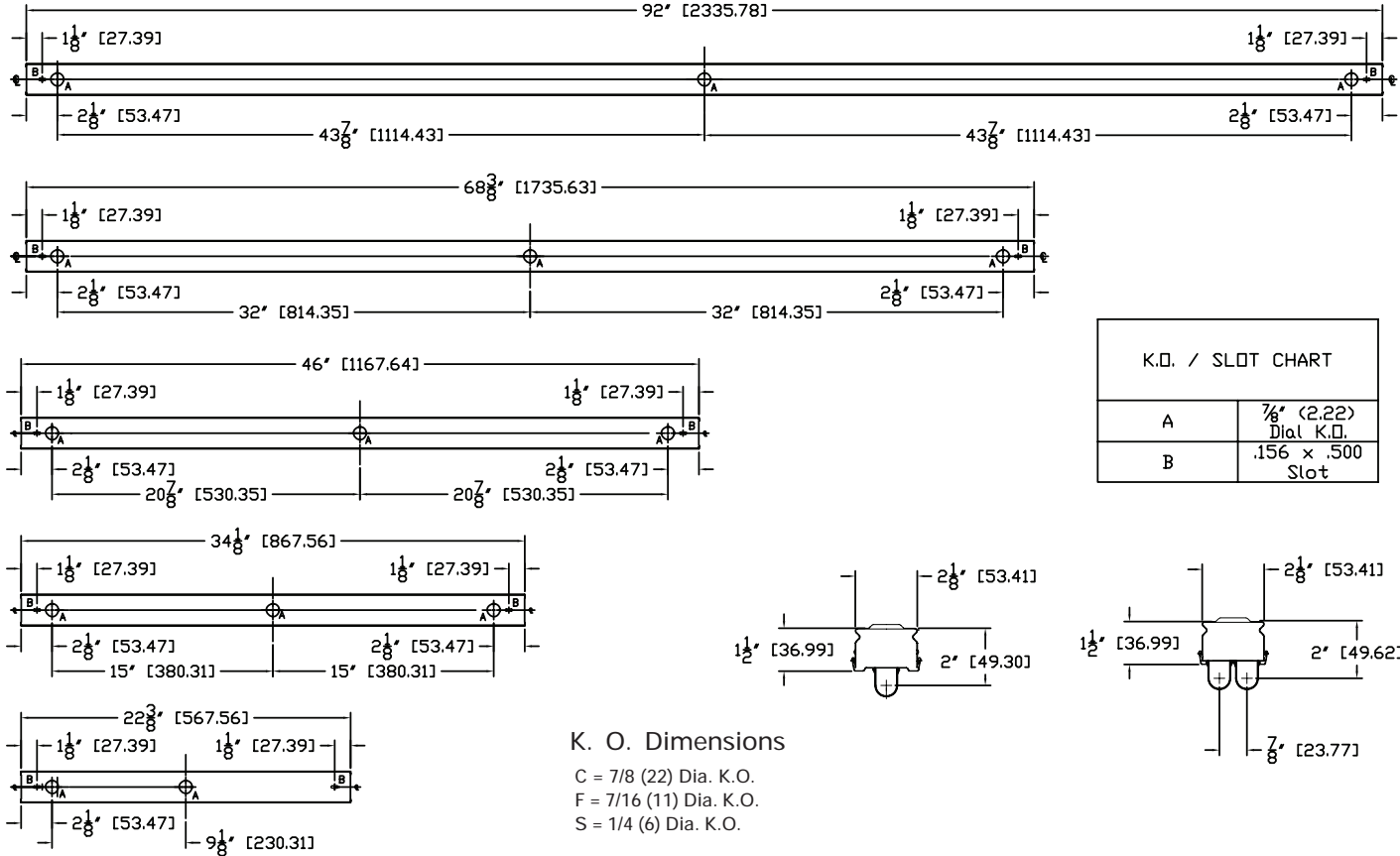
Z T5 Compact Striplight

MOUNTING DATA

For unit or row installation, surface or stem mounting.
 Unit installation — Minimum of two hangers required.
 Row installation — One hanger per channel plus one per row required.
 Hanging devices illustrated.



DIMENSIONS



PHOTOMETRICS

Calculated using the zonal cavity method in accordance with IESNA LM41 procedure. Floor reflectances are 20%. Lamp configurations shown are typical. All data based on 25°C. Full photometric data on these and other configurations available upon request.

TEST NO: LTL17094

LUMINAIRE CATALOG NO.: Z 1 28T5 MVOLT GEB10PS
 LUMENS PER LAMP: 2730

TEST NO: LTL17092

LUMINAIRE CATALOG NO.: Z 1 54T5HO MVOLT GEB10PS
 LUMENS PER LAMP: 4450

TEST NO: LTL17070

LUMINAIRE CATALOG NO.: Z 2 54T5HO MVOLT GEB10PS
 LUMENS PER LAMP: 4450

RCR	pf	pc	Coefficients of Utilization						
			80%		70%		50%		
			50%	30%	10%	50%	30%	10%	
0	115	115	115	110	110	110	102	102	102
1	94	89	83	90	85	81	83	79	75
2	80	72	65	77	69	63	70	64	59
3	69	60	52	66	58	51	61	54	48
4	60	51	43	58	49	42	53	46	40
5	54	44	37	51	42	36	47	40	34
6	48	38	31	46	37	31	42	35	29
7	43	34	27	41	33	27	38	31	25
8	39	30	24	38	29	24	35	28	22
9	36	27	21	34	26	21	32	25	20
10	33	25	19	32	24	19	30	23	18

RCR	pf	pc	Coefficients of Utilization						
			80%		70%		50%		
			50%	30%	10%	50%	30%	10%	
0	109	109	109	106	106	106	99	99	99
1	92	87	83	89	85	81	84	80	77
2	79	72	66	76	70	64	72	66	61
3	68	60	53	66	59	52	62	56	50
4	60	51	44	58	50	44	55	48	42
5	53	44	38	52	43	37	49	41	36
6	48	39	32	46	38	32	44	36	31
7	43	34	28	42	34	28	40	32	27
8	39	31	25	38	30	25	36	29	24
9	36	28	22	35	27	22	33	26	21
10	33	25	20	32	25	20	30	24	19

RCR	pf	pc	Coefficients of Utilization						
			80%		70%		50%		
			50%	30%	10%	50%	30%	10%	
0	119	119	119	115	115	115	106	106	106
1	99	93	88	95	90	85	88	84	80
2	84	76	69	81	73	67	75	68	63
3	73	63	56	70	61	54	64	57	51
4	64	54	46	61	52	45	56	49	42
5	56	46	39	54	45	38	50	42	36
6	50	40	33	48	39	32	45	37	31
7	45	36	29	44	35	28	40	33	27
8	41	32	25	39	31	25	37	29	24
9	37	28	22	36	28	22	34	26	21
10	34	26	20	33	25	20	31	24	19

Zonal Lumen Summary			
Zone	Lumens	% Lamp	% Fixture
0° - 30°	428.3	15.7	15.7
0° - 40°	723.9	26.5	26.6
0° - 60°	1398.5	51.2	51.4
0° - 90°	2278.6	83.5	83.7
90° - 180°	443.9	16.3	16.3
0° - 180°	2722.4	99.7	100.0

Zonal Lumen Summary			
Zone	Lumens	% Lamp	% Fixture
0° - 30°	809.8	18.2	19.5
0° - 40°	1366.0	30.7	32.9
0° - 60°	2625.8	59.0	63.2
0° - 90°	3806.5	85.5	91.6
90° - 180°	347.8	7.8	8.4
0° - 180°	4154.3	93.4	100.0

Zonal Lumen Summary			
Zone	Lumens	% Lamp	% Fixture
0° - 30°	1451.4	16.3	15.8
0° - 40°	2517.9	28.3	27.4
0° - 60°	5023.5	56.4	54.7
0° - 90°	7793.5	87.6	84.8
90° - 180°	1392.3	15.6	15.2
0° - 180°	9185.9	103.2	100.0