

Catalog Number
Notes
Type

FEATURES & SPECIFICATIONS

INTENDED USE

Provides task or accent illumination in residential and light commercial applications. Ideal for use under cabinets offering shadow-free lighting in kitchens and work areas, in bookcases, display cabinets or above cabinets setting a warm, inviting atmosphere in the kitchen.

CONSTRUCTION

Rugged post painted low profile housing with snap on/off hinged service tray for quick installation and wiring. Shatter-resistant, acrylic white diffuser provides soft widespread illumination with zip-lock design for easy lamp access, cleaning and superior retention. Separate snap on/off service tray for easy maintenance. Available in four lengths, comes standard with on/off rocker switch.

Utilizes linear T8 lamp for energy efficiency, superior color rendering and long life (not included).

Standard with electronic ballast (120 volt, 60Hz) ensures no flickering and quiet operation without interfering with other home electronics. Use with nondimmable switches only.

All mounting hardware included.

LISTINGS

CUL listed to US and Canadian safety standards and suitable for damp locations.

WARRANTY

2-year limited warranty. Full warranty terms located at www.acuitybrands.com/CustomerResources/Terms_and_conditions.aspx

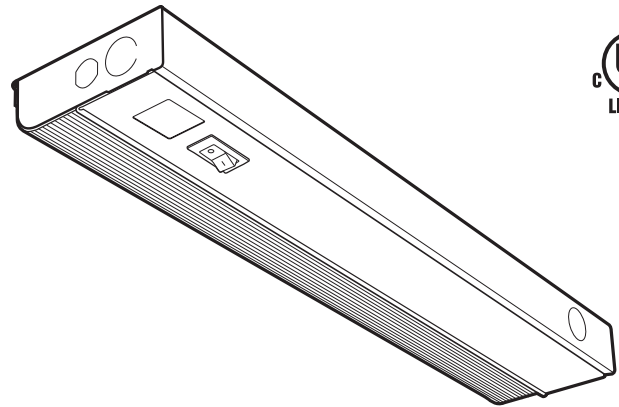
Actual performance may differ as a result of end-user environment and application.

Note: Specifications subject to change without notice.

Indoor General Purpose

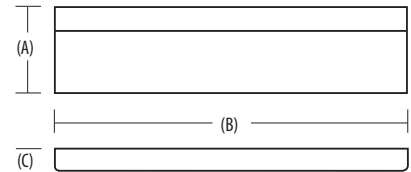
Cabinet Light Direct Wire - T8

Linear T8 Fluorescent



DIMENSIONS						
Nominal size	Lamp configuration	Model number	Number of lamps	(A) Width inches (cm)	(B) Length inches (cm)	(B) Extension inches (cm)*
18"		UC8 15	(1) 15W linear T8	4" (10.2)	18" (45.7)	1-3/8" (3.5)
24"		UC8 17	(1) 17W linear T8	4" (10.2)	24-3/8" (61.0)	1-3/8" (3.5)
36"		UC8 25	(1) 25W linear T8	4" (10.2)	36-3/8" (91.4)	1-3/8" (3.5)
48"		UC8 32	(1) 32W linear T8	4" (10.2)	48-3/8" (121.9)	1-3/8" (3.5)

*Extension from ceiling.
All dimensions are inches (centimeters) unless otherwise indicated.



ORDERING INFORMATION

For shortest lead times, configure products using **bolded options**.

Example: UC8 15 120 SWR

Series ^{1,2,3}	Voltage	Rocker switch
UC8 15 18" - (1) 15W linear T8 fluorescent lamp required	120 120 volt electronic ballast (standard)	SWR Rocker switch standard
UC8 17 24" - (1) 17W linear T8 fluorescent lamp required		
UC8 25 36" - (1) 25W linear T8 fluorescent lamp required		
UC8 32 48" - (1) 32W linear T8 fluorescent lamp required		

Accessories: Order as separate catalog number.	
DUC818	18" white acrylic diffuser
DUC824	24" white acrylic diffuser
DUC836	36" white acrylic diffuser
DUC848	48" white acrylic diffuser

Notes

- Lamps not included.
- Use with non-dimmable switches only.
- Maximum quantity of cabinet fixtures that can be connected from a single power source can not exceed 540 watts from the lamp wattage.

UC8 Cabinet Light Direct Wire - T8 Fluorescent

PHOTOMETRICS

Full photometric data report available within 2 weeks from request. Consult factory.