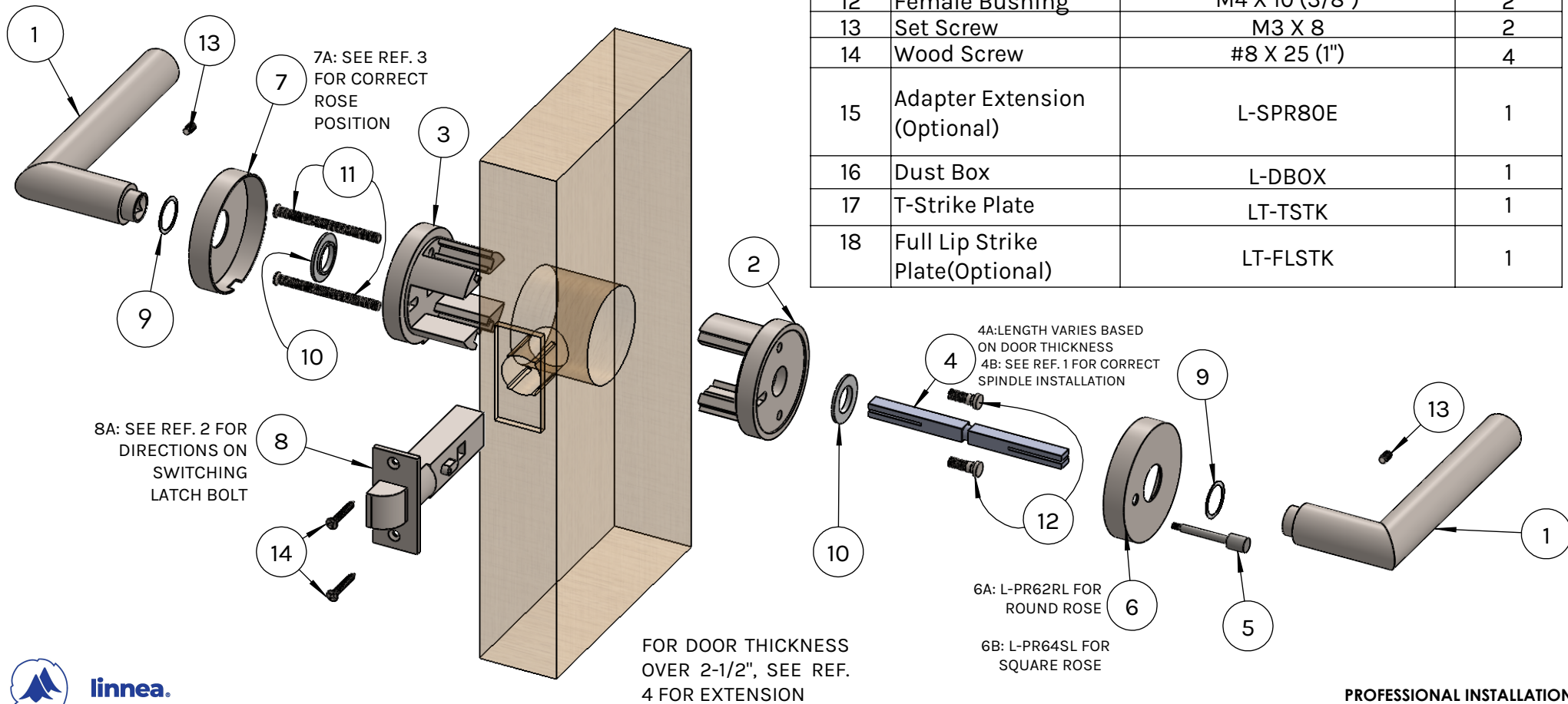
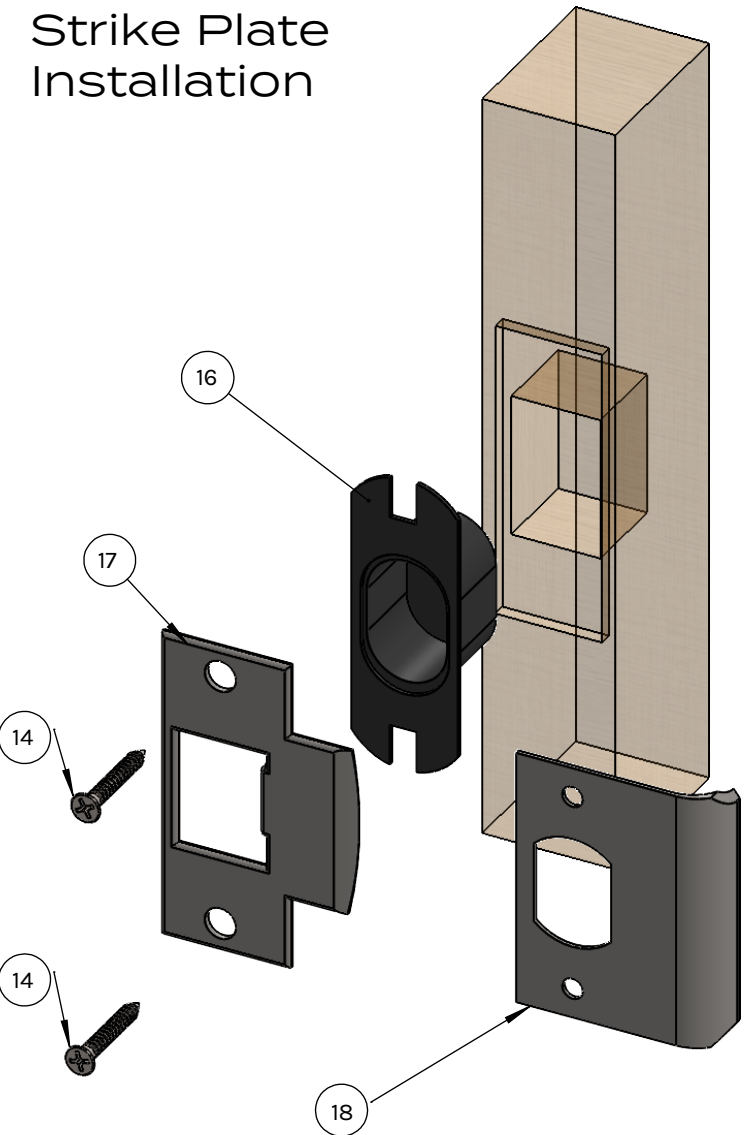


Privacy Installation Diagram

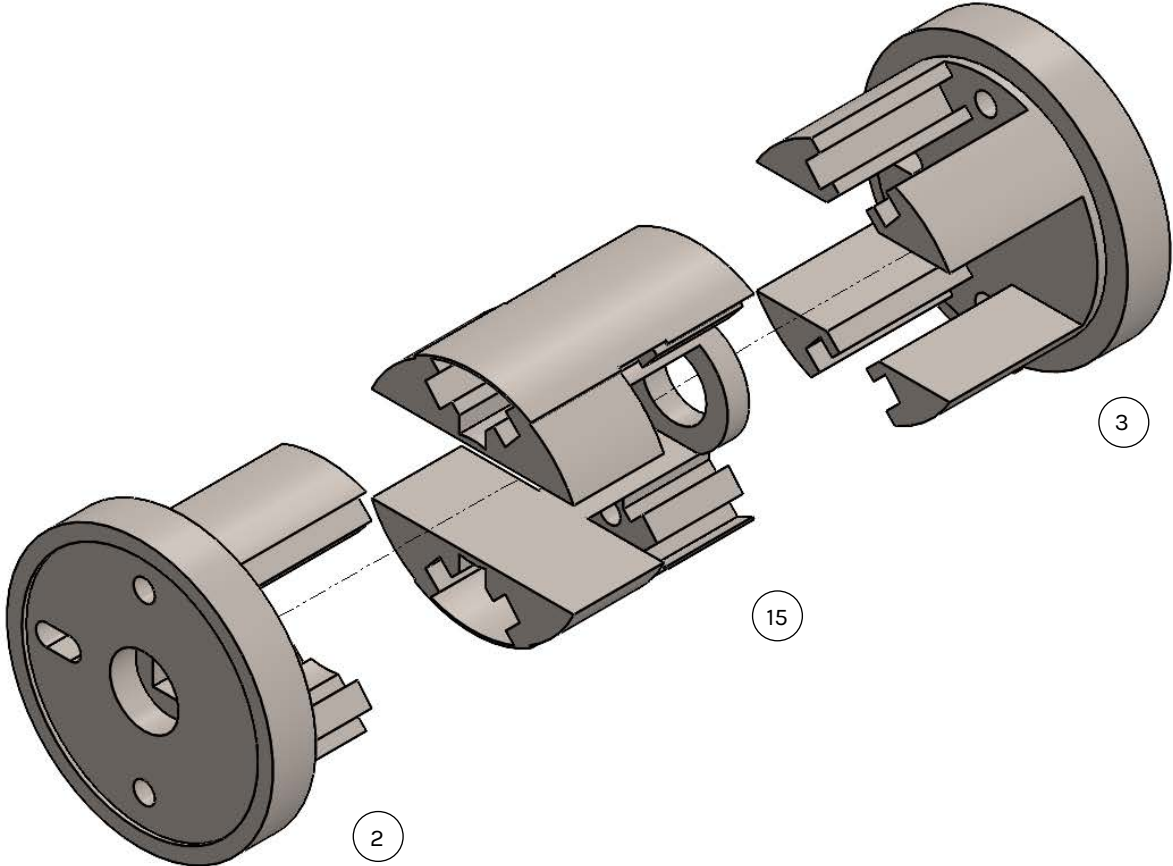
| ITEM NO. | PART NAME | DESCRIPTION | QTY. |
|----------|---------------------------------|----------------------|--------|
| 1 | Lever | LXXMR | 2 |
| 2 | Adapter (M) | L-SPR60 (M) | 1 |
| 3 | Adapter (F) | L-SPR60 (F) | 1 |
| 4 | Privacy Spindle | L-SP8PRXXX | 1 |
| 5 | Pin For Privacy | LL-PIN43 | 1 |
| 6 | Privacy Rose (L) | L-PR62RL or L-PR64SL | 1 |
| 7 | Privacy Rose (R) | L-PR62RR or L-PR64SR | 1 |
| 8 | Privacy Latch | LT-2861 or LT-2871 | 1 |
| 9 | Nylon Washer | L-WAS22 or L-WAS19 | 2 |
| 10 | Plastic Spacer | L-SPA25 | 2 |
| 11 | Machine Screw | M4 X 40, M4 X 50 | 2 Each |
| 12 | Female Bushing | M4 X 10 (3/8") | 2 |
| 13 | Set Screw | M3 X 8 | 2 |
| 14 | Wood Screw | #8 X 25 (1") | 4 |
| 15 | Adapter Extension (Optional) | L-SPR80E | 1 |
| 16 | Dust Box | L-DBOX | 1 |
| 17 | T-Strike Plate | LT-TSTK | 1 |
| 18 | Full Lip Strike Plate(Optional) | LT-FLSTK | 1 |



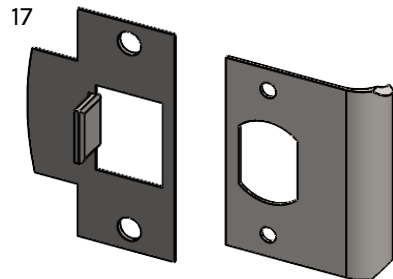
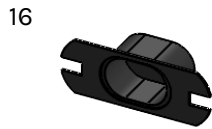
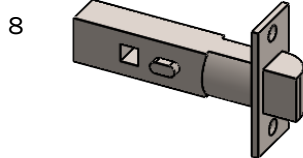
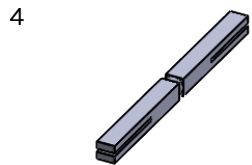
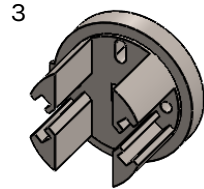
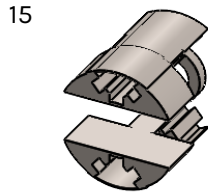
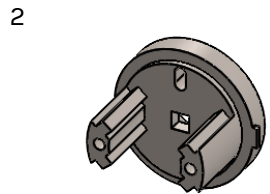
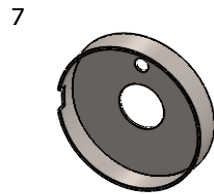
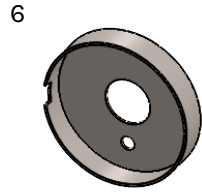
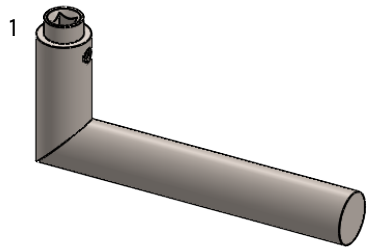
Strike Plate Installation



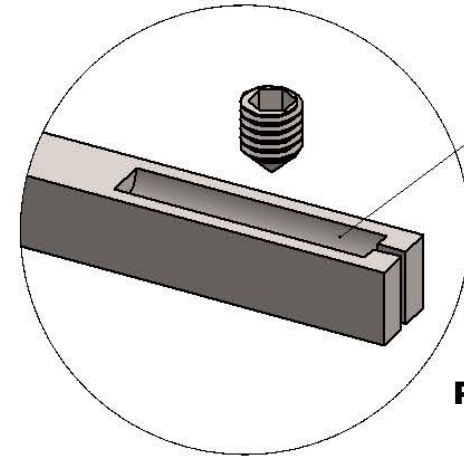
Extension Installation (For Door Thickness 2-1/2"-3")



Component List

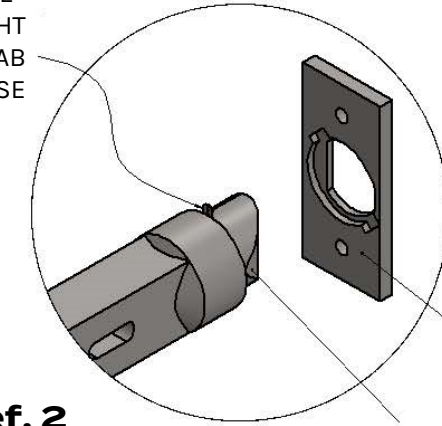


POSITION FACE PLATE
FLAT LEFT / RIGHT
ENGAGE TAB
TURN CLOCKWISE



SET SCREW BITES
WITH SPINDLE
GROOVE

Ref. 1



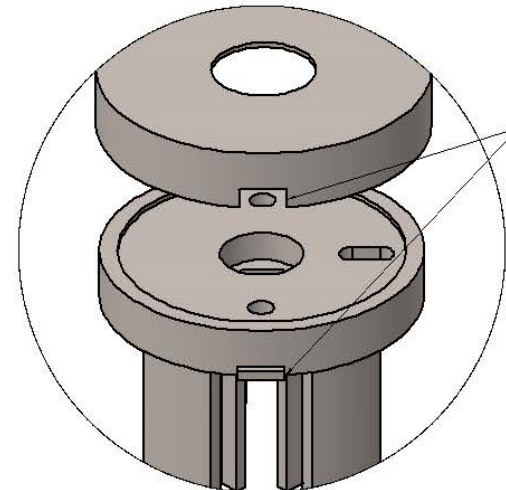
ARROW ON LATCH
MUST FACE UP

IF NECESSARY REVERSE
THE LATCH

FACE PLATE

LATCH BOLT

Ref. 2



ROSE SLOT MUST
CATCH INDENT

Ref. 3



linnea.

linnea-home.com
(800) 219-2366