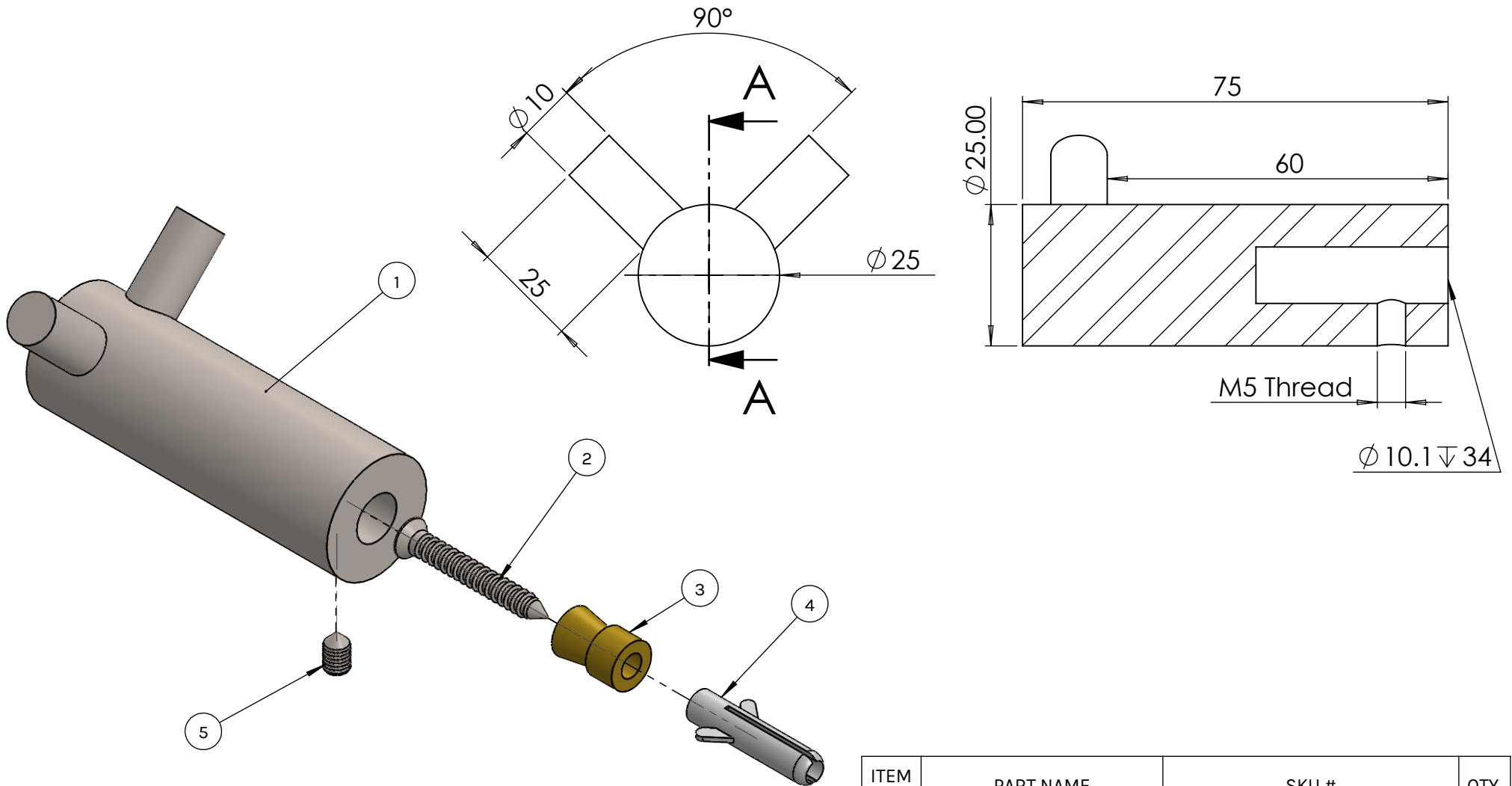


HK-155D Installation Diagram



ITEM NO.	PART NAME	SKU #	QTY.
1	Hook	HK155D	1
2	Wood Screw	SCR-WS8X26N-USS	1
3	Brass Bushing	SCR-BNP10T-BR	1
4	Plastic Anchor	SCR-PLANC-GRY	1
5	M5 Set Screw	SCR-SCM5X4-USS	1

