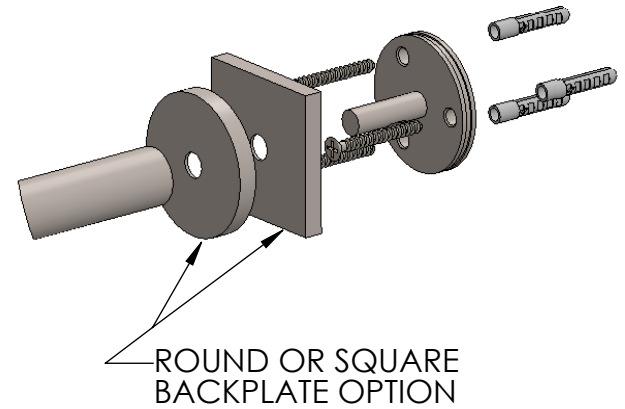


DRYWALL INSTALLATION KIT (OPTIONAL)



**TRH-840**

**Linnea<sup>®</sup>**

800.219.2366 www.linnea-home.com