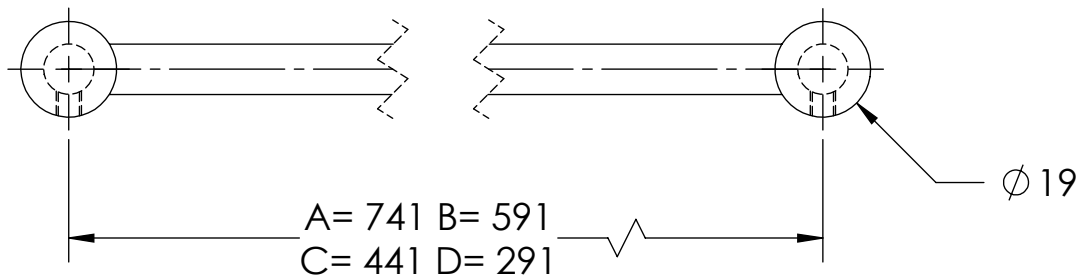
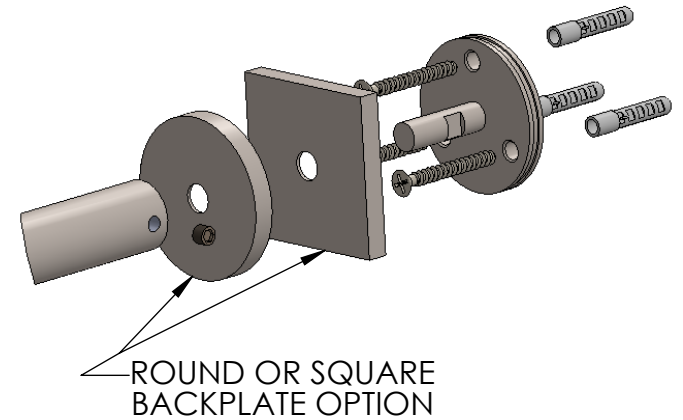


DRYWALL INSTALLATION KIT (OPTIONAL)



TR-1920

Linnea®

800.219.2366 www.linnea-home.com