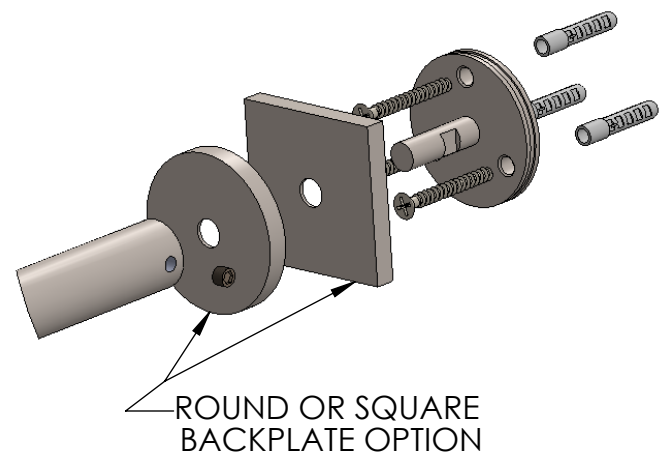


DRYWALL INSTALLATION KIT (OPTIONAL)



TR1550

Linnea[®]

800.219.2366

www.linnea-home.com