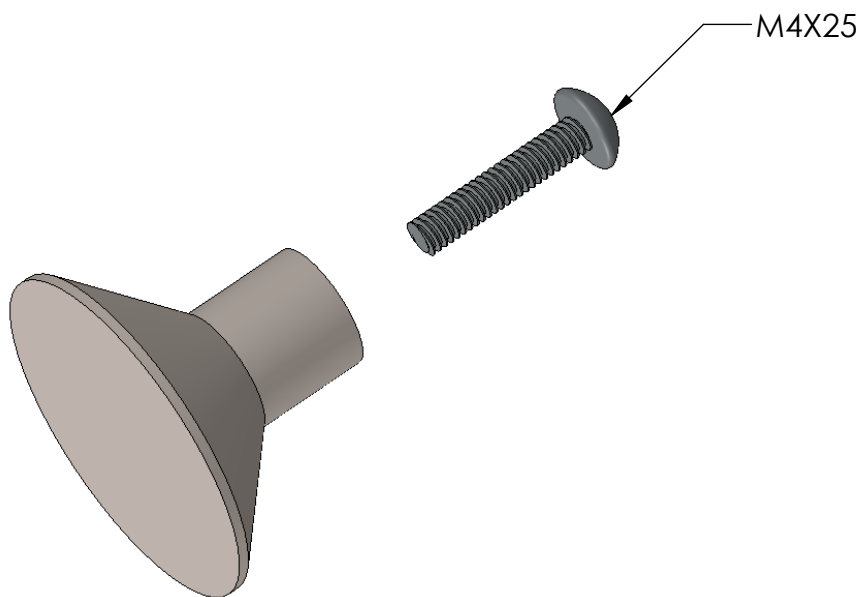
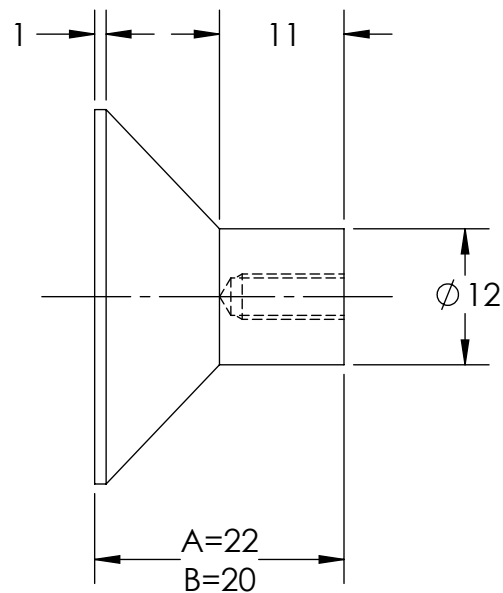


A = ϕ 33
B = ϕ 25



7(A-B)

Linnea[®]

800.219.2366 www.linnea-home.com