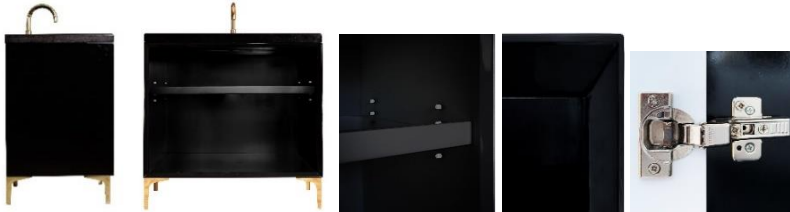




Shown in PB



## VAN36B-018-SLV

36" BLACK MOTHER OF PEARL WITH 18" ARTISAN GLASS HARDWARE ÉGLOMISÉ PYRAMID GLASS

### DETAILS

Cabinet with Gloss Finish  
 Full Finished Back  
 Adjustable Interior Shelf  
 3 Way Adjustable European Soft Close Hinges  
 OD: **W 36" x D 22"**  
 Vanities are Hand-crafted

### HARDWARE AND LEG FINISH OPTIONS

|  |           |                 |
|--|-----------|-----------------|
|  | <b>PN</b> | Polished Nickel |
|  | <b>SN</b> | Satin Nickel    |

### 36" VANITY TOP OPTIONS

(Vanity Tops Sold Separately, See Vanity Top Spec Sheet for Details)

**Outside Dimensions: W 36" D 22" H 1.5"**

(Vanity Top includes 4" Backsplash)

|                 |   |
|-----------------|---|
| <b>VT36W-01</b> | 18" x 12" Sink Cutout with 1 Faucet Hole  |
| <b>VT36W-03</b> | 18" x 12" Sink Cutout with 3 Faucet Holes |

### INSTALLATION

We recommend consulting a professional if you are unfamiliar with installing bathroom fixtures and plumbing. Linkasink accepts no liability for any damage to the floor, walls, plumbing, or personal injury during installation.

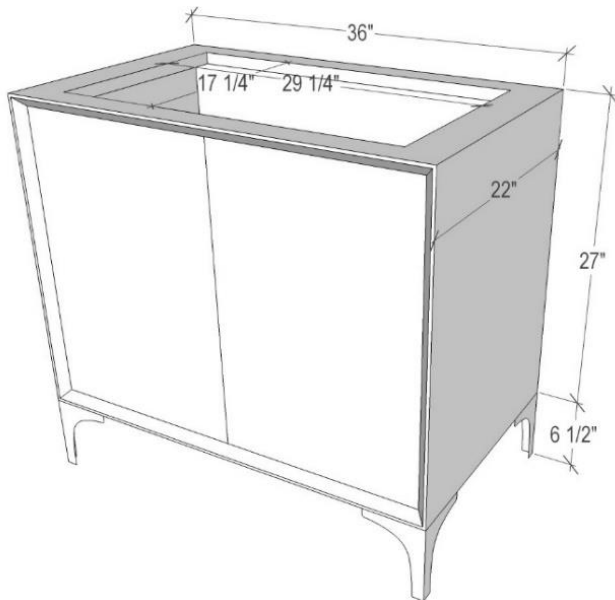
### CARE

Clean vanity, hardware, and countertop with a soft cloth dampened with water. Avoid any harsh abrasives and harsh chemicals/acidic cleaning products.

For hardware: A clear paste wax may be applied periodically to protect the finish and help with water spotting.

### WARRANTY

Linkasink warranties our product to be free from manufacturing defect for the life of the product. Warranty does not cover improper care, neglect, abuse or normal wear-and-tear.



### DIMENSIONS WILL VARY

**DO NOT** use this sheet as a guide for countertop cuts. Due to the handmade nature of each product, templates are not provided.