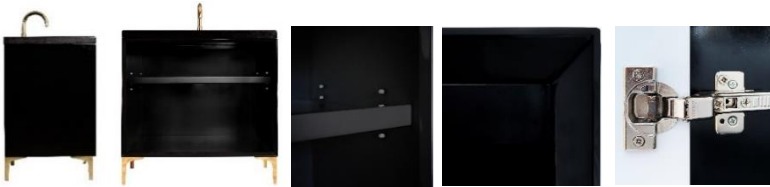




Shown in PB





## VAN30B-014

30" BLACK DIVERGENCE WITH 3" ARTISAN GLASS  
HARDWARE BLACK PRISM GLASS

### DETAILS

Cabinet with Gloss Finish  
Full Finished Back  
Adjustable Interior Shelf  
3 Way Adjustable European Soft Close Hinges  
OD: **W 30" x D 22"**  
Vanities are Hand-crafted

### HARDWARE AND LEG FINISH OPTIONS

	<b>PB</b>	Polished Brass
	<b>SB</b>	Satin Brass

### 30" VANITY TOP OPTIONS

(Vanity Tops Sold Separately, See Vanity Top Spec Sheet for Details)

**Outside Dimensions: W 30" D 22" H 1.5"**

(Vanity Top includes 4" Backsplash)

<b>VT30W-01</b>	18" x 12" Sink Cutout with 1 Faucet Hole
<b>VT30W-03</b>	18" x 12" Sink Cutout with 3 Faucet Holes

### INSTALLATION

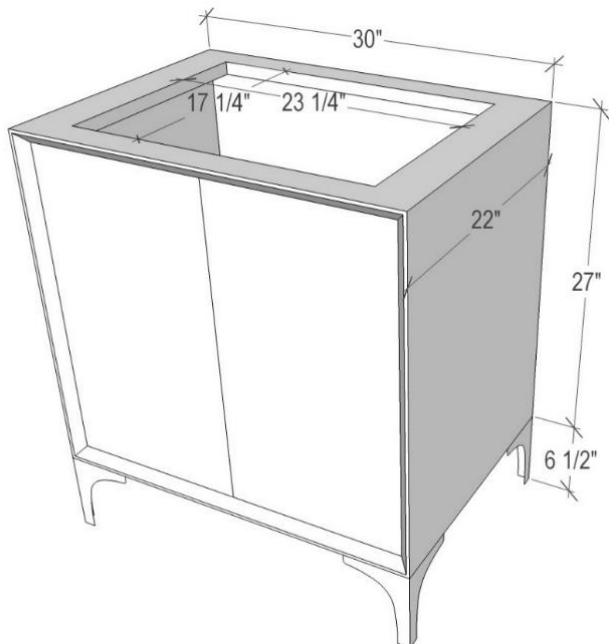
We recommend consulting a professional if you are unfamiliar with installing bathroom fixtures and plumbing. Linkasink accepts no liability for any damage to the floor, walls, plumbing, or personal injury during installation.

### CARE

Clean vanity, hardware, and countertop with a soft cloth dampened with water. Avoid any harsh abrasives and harsh chemicals/acidic cleaning products.  
For hardware: A clear paste wax may be applied periodically to protect the finish and help with water spotting.

### WARRANTY

Linkasink warranties our product to be free from manufacturing defect for the life of the product. Warranty does not cover improper care, neglect, abuse or normal wear-and-tear.



### DIMENSIONS WILL VARY

**DO NOT** use this sheet as a guide for countertop cuts. Due to the handmade nature of each product, templates are not provided.