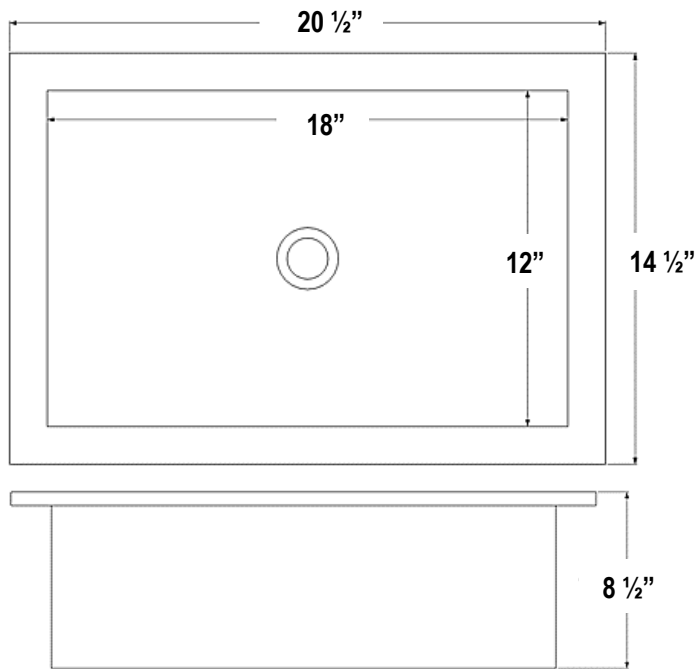




Shown with GM001 PB



## P011 W

LOIS SINK IN PORCELAIN

### DETAILS

Installation Type: Undermount

Hand-crafted Porcelain

OD: 20.5" x 14.5" x 8.5"

ID: 18" x 12"

Drain Size: Uses Standard 1.5" Drain; With Overflow

Each sink is hand-crafted; no two sinks will be the same






NOTE: Due to the handmade nature of the sink, dimensions are approximate and can vary.

Specify: Optional grate and finish choices. Grates sold as a separate item, but must be purchased at the same time as the sink.

### AVAILABLE DRAINS

|             |                           |
|-------------|---------------------------|
| D011 – D017 | Decorative Grid Strainers |
| D101 – D720 | Decorative Drains         |

### AVAILABLE GRATES (Not sold as a stand-alone item)

|                       |   |   |
|-----------------------|---|---|
| GM001                 | Filigree  |   |
| GM003                 | Spoke   |  |
| GM004                 | Hawaiian Quilt  |  |
| GM007                 | Bars  |  |
| GM008                 | Deco  |  |
| <b>Finish Options</b> | PS – Polished Stainless Steel<br>SS – Satin Stainless Steel | PB – Polished Unlacquered Brass<br>UB – Satin Unlacquered Brass                       |

### INSTALLATION

Drain should be installed first. Cuts in countertop are up to the discretion of the installer. Use silicone adhesive to adhere sink to countertop. Clips or other installation method must be provided by the fabricator/installer. Clean any excess silicone from the sink surface.

### CARE

Use mild soap and water for everyday cleaning. Avoid any harsh abrasives and chemicals, acidic cleaning products.

### WARRANTY

Linkasink warrants our product to be free from manufacturing defect for the life of the product. Warranty does not cover improper care, neglect, abuse, or normal wear-and-tear.

### DIMENSIONS WILL VARY

**DO NOT** use this sheet as a guide for countertop cuts. Due to the handmade nature of each product, templates are not provided.