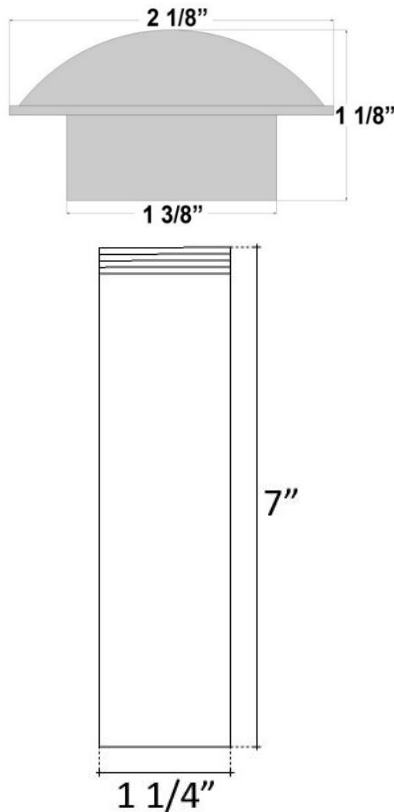




Shown with "SS-SCR01"



## D016 (Stainless)

SWIRL DECORATIVE GRID STRAINER

### DETAILS

Brass Body Plated in Nickel, Stainless Steel Grid and Screw

Available WITH (-O) or WITHOUT (-N) Overflow (specify)

**NOTE:** Specify finish, decorative screw and overflow type when ordering.

### DRAIN SIZE

1.5" Standard lavatory size drain

### AVAILABLE GRID FINISHES

<b>SS</b>	Satin Smooth Stainless Steel
<b>PS</b>	Polished Smooth Stainless Steel
<b>SH</b>	Satin Hammered Stainless Steel
<b>PH</b>	Polished Hammered Stainless Steel

### AVAILABLE SCREW STYLES

SCR01	Metal Sphere			
		D016 SS-SCR01-N		D016 SH-SCR01-N
		D016 SS-SCR01-O		D016 SH-SCR01-O
		D016 PS-SCR01-N		D016 PH-SCR01-N
		D016 PS-SCR01-O		D016 PH-SCR01-O
SCR02	Mother of Pearl			
		D016 SS-SCR02-N		D016 SH-SCR02-N
		D016 SS-SCR02-O		D016 SH-SCR02-O
		D016 PS-SCR02-N		D016 PH-SCR02-N
		D016 PS-SCR02-O		D016 PH-SCR02-O

### INSTALLATION

We recommend consulting a professional if you are unfamiliar with installing bathroom fixtures and plumbing. Linkasink accepts no liability for any damage to the floor, walls, plumbing, or personal injury during installation.

### CARE

Use mild soap and water for everyday cleaning. Avoid any harsh abrasives, chemicals, and acidic cleaning products. A paste wax may be applied periodically to protect the finish and help with water spotting.

### WARRANTY

Linkasink warranties our product to be free from manufacturing defect for the life of the product. Warranty does not cover improper care, neglect, abuse or normal wear-and-tear.

### DIMENSIONS WILL VARY

**DO NOT** use this sheet as a guide for countertop cuts. Due to the handmade nature of each product, templates are not provided.