

# CS019

SMOOTH LARGE FLAT ROUND BAR

## DETAILS

Installation Type: Drop-In or Undermount

Smooth Metal

OD: 19" x 8"

ID: 17"

Uses Standard 3.5" Drain, No Overflow

Each sink is hand-crafted; no two sinks will be the same  
NOTE: Due to the handmade nature of the sink, dimensions are approximate and variations in the smooth metal may be visible.

AVAILABLE FINISHES		BASE MATERIAL
<b>SRG</b>	Satin Rose Gold	Copper
<b>PRG</b>	Polished Rose Gold	Copper
<b>SS</b>	Satin Stainless Steel	Stainless Steel
<b>PS</b>	Polished Stainless Steel	Stainless Steel
<b>UB</b>	Satin Unlacquered Brass	Brass
<b>PB</b>	Polished Unlacquered Brass	Brass

## AVAILABLE DRAINS

<b>D003</b>	3.5" Basket Strainer
<b>D007</b>	3.5" Disposal Flange
<b>D051-D057</b>	3.5" Decorative Basket Strainers
<b>D071-D077</b>	3.5" Decorative Disposal Flange

## INSTALLATION

**DROP-IN:** Cut opening large enough for the sink to be "dropped in" to countertop.

**UNDERMOUNT:** Cuts in countertop are up to the discretion of the installer. Clips or other installation method must be provided by the fabricator/installer.

Use silicone adhesive to adhere sink to countertop. Clean any excess silicone from sink surface to avoid damaging the finish.

## CARE

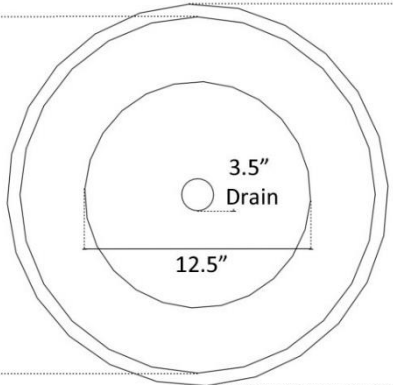
This sink has a living finish (excluding SS/PS) which will change with time and use. Use mild soap and water for everyday cleaning. Avoid any harsh abrasives, acidic cleaning products and antibacterial hand soap. A clear paste wax may be applied periodically to protect the finish and help with water spotting.

## WARRANTY

Linkasink warranties our product to be free from manufacturing defect for the life of the product. Warranty does not cover improper care, neglect, abuse, or normal wear-and-tear.



Shown in PB



### DIMENSIONS WILL VARY

**DO NOT** use this sheet as a guide for countertop cuts. Due to the handmade nature of each product, templates are not provided.