

VT30B-01 Shown

VT30B-00

30" BLACK VANITY TOP – NO FAUCET HOLES

Outside Diameter W 30" D 22" H 1.5"

No Sink Cutout with No Faucet Holes

VT24B-01

30" BLACK VANITY TOP – 1 FAUCET HOLE (1.5")

Outside Diameter W 30" D 22" H 1.5"

30" x 12" Sink Cutout with 1 Faucet Hole

VT24B-03

30" BLACK VANITY TOP – 3 FAUCET HOLE (1.5")

Outside Diameter W 30" D 22" H 1.5"

18" x 12" Sink Cutout with 3 Faucet Holes (Wide Spread)

DETAILS

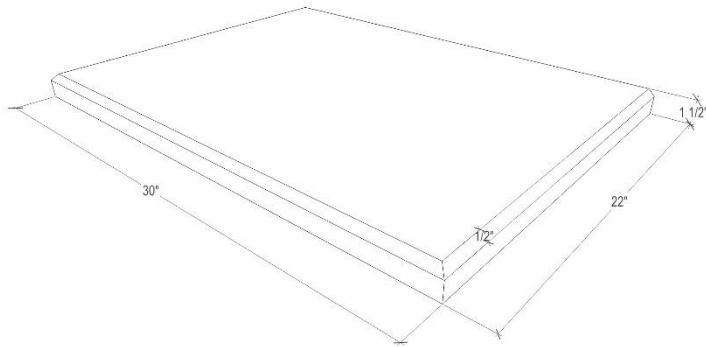
Manufactured from recycled glass

Finish is similar to quartz

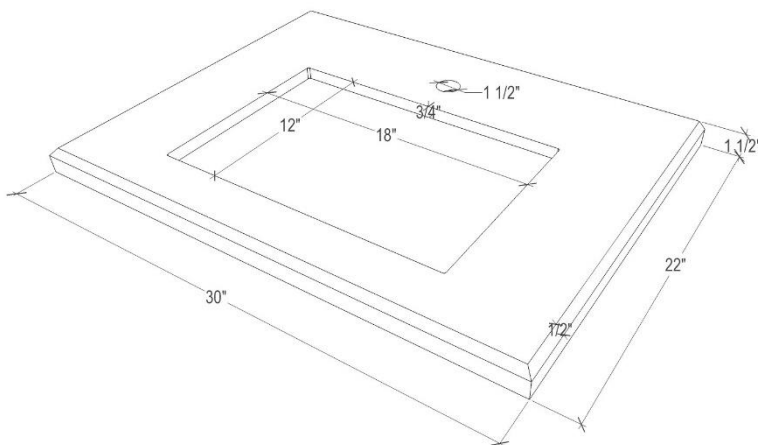
Available with no faucet holes for vessel sinks

Includes 4" Backsplash

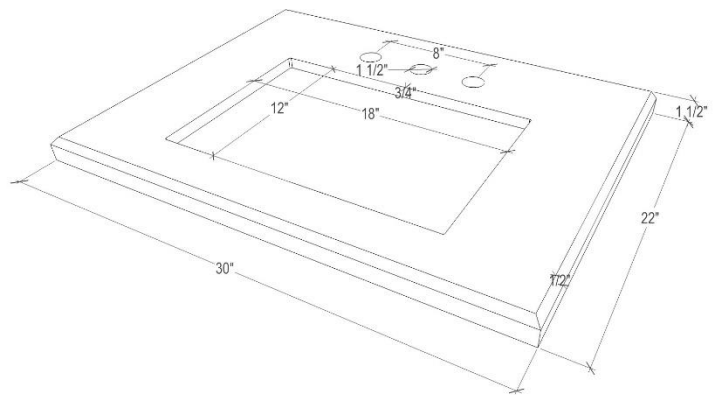
1.5" Height



VT30B-00



VT30B-01



VT30B-03

CARE

Clean with mild soap. No abrasive chemicals

WARRANTY

Linkasink warranties our product to be free from manufacturing defect for the life of the product. Warranty does not cover abuse.