



VAN30B-002

30" BLACK DIVERGENCE VANITY

DETAILS

Hand Applied Gold Toned Metal Leaf
 1" Plywood Construction
 Gloss Finish
 Full 3/4" Finished Back
 Adjustable Interior Shelf
 3 Way Adjustable European Soft Close Hinges
 Multiple Leg Height Options

HARDWARE AND LEG FINISH OPTIONS

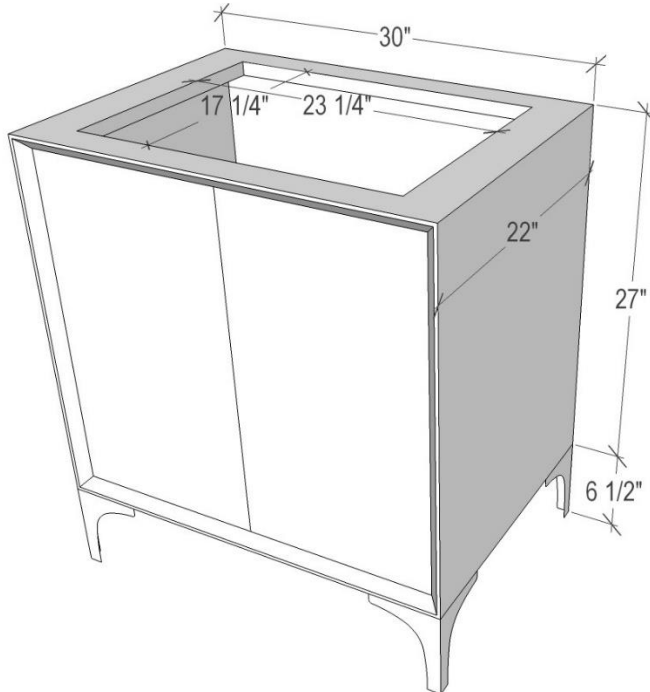
PB	Polished Brass
SB	Satin Brass

36" VANITY TOP OPTIONS

(See Vanity Top Spec Sheet for Details)

Outside Diameter W 30" D 22" H 1.5" Includes 4" Backlash

VT30B-00	No Sink Cutout with No Faucet Holes
VT30B-01	18" x 12" Sink Cutout with 1 Faucet Hole
VT30B-03	18" x 12" Sink Cutout with 3 Faucet Holes



CARE

Clean with mild soap. No abrasive chemicals

WARRANTY

Linkasink warranties our product to be free from manufacturing defect for the life of the product. Warranty does not cover abuse.