

BLD113

Builder's Series Square Hammered Coco Sink

DETAILS

Installation Type: Drop-In or Undermount

Stamped Metal

(Each sink is Hand Crafted; no two sinks will be the same.)

No Overflow

AVAILABLE FINISHES

PB	Polished Unlacquered Brass
UB	Satin Unlacquered Brass
PS	Polished Stainless Steel
SS	Satin Stainless Steel

AVAILABLE DRAINS

D004	Grid Strainer
D005	Lift and Turn
D006	Pop-Up with Horizontal Lift Rod
D101 - D720	Decorative Drain
D011 - D017	Decorative Grid Strainer

INSTALLATION

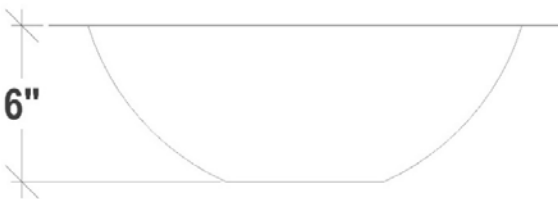
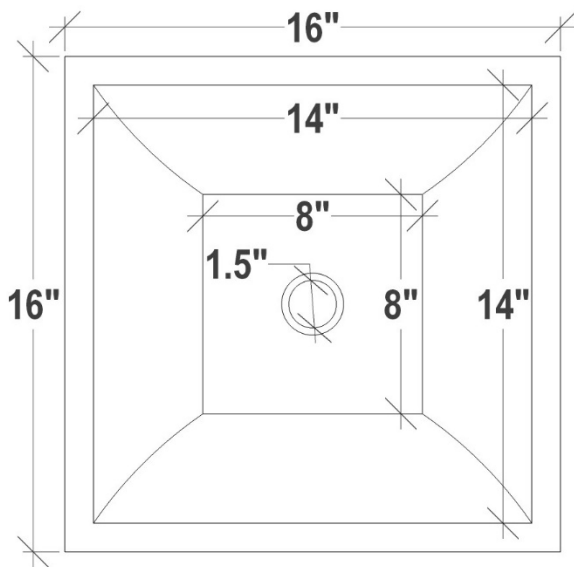
A conversion kit for drain installation is provided with each sink with 1.5" drain opening. Use 100% silicone to adhere sink to countertop. Clean any excess silicone from sink surface. Clips may be used for installation (not provided by Linkasink).

CARE

This sink has a living finish which will change with time and use. Mild soap and water for everyday cleaning. No harsh or acidic cleaning products or antibacterial hand soap. A paste wax may be applied to protect the finish.

WARRANTY

Linkasink warranties our product to be free from manufacturing defect for the life of the product. Warranty does not cover abuse.



DIMENSIONS WILL VARY

DO NOT use this sheet as a guide for countertop cuts. Due to the handmade nature of each product, templates are not provided.