



## BLD104-2

Small Round Bottom Builder's Series – 2" Drain Opening

### DETAILS

Installation Type: Drop-In or Undermount

Hammered Copper, Hammered Stainless Steel or Hammered Unlacquered Brass

Uses 2" Drain

No Overflow

### AVAILABLE FINISHES

AB	Antique Bronze
DB	Dark Bronze
SS	Satin Stainless Steel
PS	Polished Stainless Steel
UB	Unlacquered Brass - Satin
PB	Unlacquered Brass - Polished

### AVAILABLE DRAINS

D001	2" Bar Drain
------	--------------

### INSTALLATION

Drain should be installed first.

**DROP-IN:** Cut opening large enough for the sink to be "dropped in" to countertop.

**UNDERMOUNT:** Cuts in countertop are up to the discretion of the installer. Clips or other installation method must be provided by the fabricator/installer.

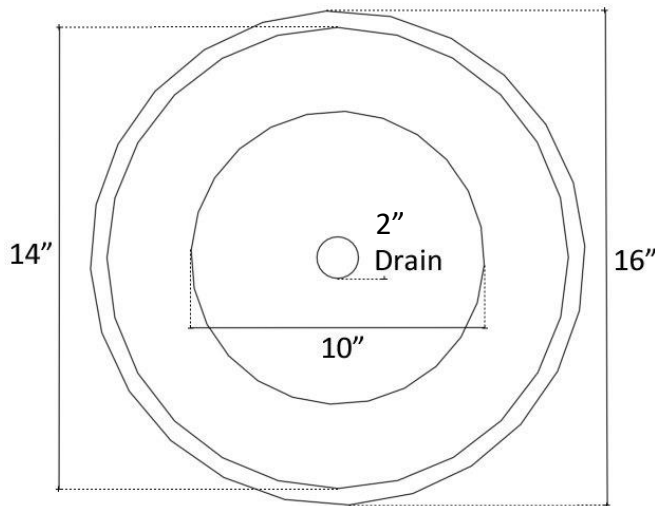
Use 100% silicone to adhere sink to countertop. Clean any excess silicone from sink surface.

### CARE

Clean with mild soap. No abrasive chemicals

### WARRANTY

Linkasink warranties our product to be free from manufacturing defect for the life of the product. Warranty does not cover abuse.



### DIMENSIONS WILL VARY

**DO NOT** use this sheet as a guide for countertop cuts. Due to the handmade nature of each product, templates are not provided.