



AG06C

Artisan Glass Large Rectangle Crackle

DETAILS

Installation Type: Undermount

Glass (Each sink is Hand Crafted; no two sinks will be the same.)

No Overflow

SINK FINISHES

01	White
----	-------

AVAILABLE DRAINS

D004	Grid Strainer
D005	Lift and Turn
D006	Pop-Up with Horizontal Lift Rod
D011 – D017	Decorative Grid Strainer

INSTALLATION

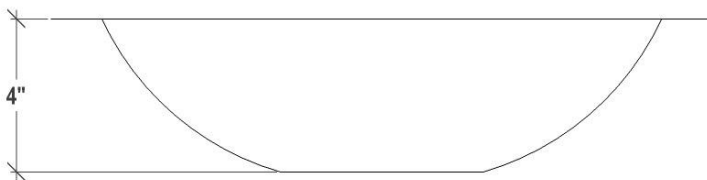
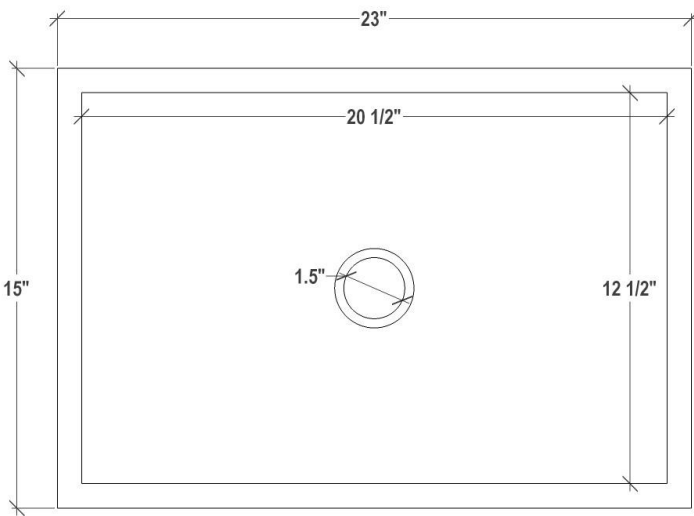
Use 100% silicone to adhere sink to countertop. Clean any excess silicone from sink surface. Clips are not included but may be provided by countertop fabricator. Conversion Kit for drain installation is included with each sink.

CARE

Mild soap and water for everyday cleaning. Non-ammonia based glass cleaner may also be used. No harsh or acidic cleaning products.

WARRANTY

Linkasink warranties our product to be free from manufacturing defect for the life of the product. Warranty does not cover abuse.



DIMENSIONS WILL VARY

DO NOT use this sheet as a guide for countertop cuts. Due to the handmade nature of each product, templates are not provided.