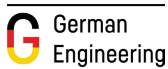


SW5291 and SRB5290

Freestanding Appliances

LIEBHERR

Refrigeration and Freezing



reddot winner 2025

home.liebherr.com



SW5291 and SRB5290

Energy consumption	
In 365 days kWh	456
Estimated Yearly Energy Cost in US \$	64
Sound rating dB(A)	
	35*
Capacity	
Total capacity cu.ft. (l)	24.4 (691)
Refrigerator cu.ft. (l)	13.7 (387)
Wine cu.ft. (l)	6 (171)
Freezer cu.ft. (l)	4.7 (133)
Ice cube output lbs. (kg) / 24h	
	2.6 (1.2)
Ice cube stock lbs. (kg)	
	11.9 (5.4)
Max No. of Bordeaux bottles (0.75cl)	
	44
Temperature Zones (wine)	
	2
Door hinges	
	Left / right
Electronic control	
	Touch&Swipe display
Number of BioFresh drawers	
	3
Internal water dispenser	
	Yes
SoftSystem	
	Yes
Product dimensions	
in inch (H / W / D)	73 1/16 / 47 3/8 / 26 9/16
in cm (H / W / D)	185.5 / 120.4 / 67.5
Cut out dimensions	
in inch (H / W / D)	74 / 48 / 24
in cm (H / W / D)	(188 / 121.9 / 60.9)
Energy supply	
Voltage V / Hz	115/60
Net weight lbs. (kg)	
	396.3 (177)
Ventilation requirement for installation per unit included with cut-out dimension	
	200cm ² / 31 inc ³

Accessories

Top Ventilation grill for 77" niche	9903655
Door opening limitation	9096414

Features

Power Cooling

The fan – as powerful as it is quiet – distributes the cold air efficiently throughout the entire refrigeration compartment.

Hydro Breeze

Do you want to cool fruit and vegetables like professionals? The cold mist combined with a temperature in the safe of just over 32°F (0°C) gives food that extra boost for longer shelf life.

Light Tower

Enjoy an optimally illuminated interior: the LightTower shows off the food in its best light and is positioned so that all of your filled fridge is illuminated at all times. The flush mounting of the LightTower in the side walls means there is also more space for your food.

Infinity Spring

The seamlessly integrated, flush-mounted InfinitySpring internal water dispenser is there when you need it, and virtually invisible when you don't.

2 Zones

Experience wine perfection with 2 independent zones, individually adjustable from 41°F and 68°F, ensuring precise tempering for reds and whites, all in one appliance

Temp Protect Plus

Two sensors constantly measure the temperature in the wine refrigerator. A notification is sent in the event of a critical change.

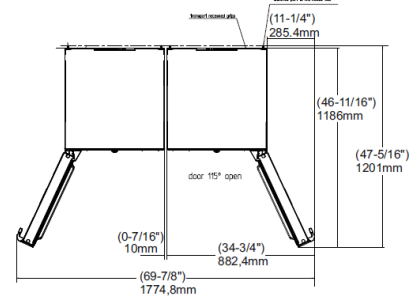
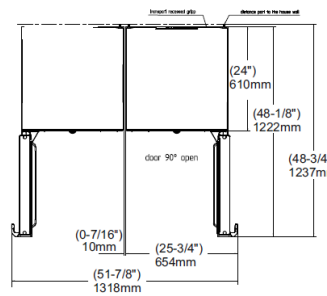
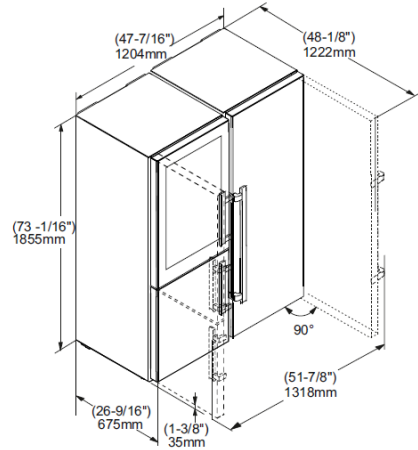
* Energy Cost will depend on utility rates and use. Estimated energy cost based on a national average electricity cost of 14 cents per kWh.

** Noise output – according to EN 60704-3

Side-by-side kit is included with SW5291

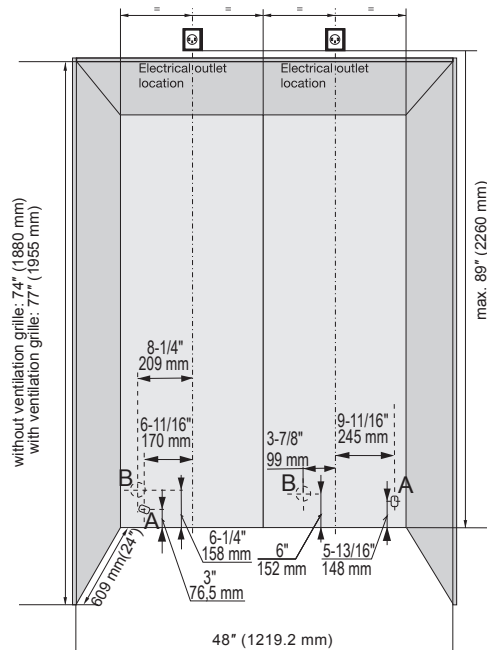
Diagrams

Product Dimensions



Allow door swing clearance at locations next to a wall. If the appliance is installed with the hinges next to a wall, the distance between the appliance and the wall must be at least 1 1/2" (40 mm). This is how far the handle protrudes when the door is open. The refrigerator door must open to a minimum of 90° to allow the crispers to open and the shelves to be removed. A 90° door limiter is available for this model. Height can be increased by 3/8" (10mm) by turning the levelling feet at the front and the height adjustable rollers at the appliance rear.

Semi built-in look – Cutout Dimensions

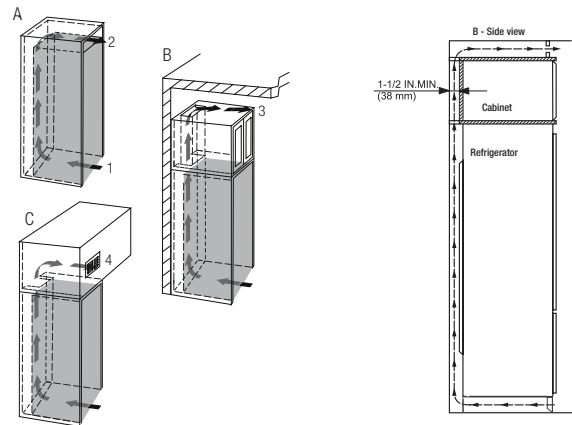


The appliances can be used freestanding or semi built-in. If semi built-in, consider the minimum cabinet opening dimensions specified on this image.

The power cord exists the rear of the appliances (A) right side and has a length of 6.5 ft (2m). We suggest the electrical outlet not to be located behind the appliance, so it is easily accessible. This can be located on top of the niche like shown on the image.

Do not install the shut-off valve for the water supply behind the appliance, to allow access to shut off without having to pull out the appliance. The water line lead out position is according to graphic (B).

Ventilation Requirements



If the appliance is integrated in a fitted kitchen, the following ventilation requirements must be met: - The spacing fins on the back of the appliance are used to ensure sufficient ventilation. These must not lie in cavities or recesses in their final installation position. - Basically, the larger the ventilation gap, the more energy the appliance saves during operation. Do not restrict the air flow.

A cross-sectional air flow of at least 31 in² (200cm²) per appliance at the airflow inlet (1) and at the airflow outlet (2).

The top ventilation space can be directed in one of the following ways:

- A. Directly over the appliance (2) with a gap between the ceiling of the unit and the cabinet
- B. Above the cabinet and below the ceiling (3).
- C. Through a vent installed in a soffit (4).

Be sure to consider the possibility of having to raise some of the leveling legs in order to level the appliance when installing. If you adjust the height of the appliance – it will effectively reduce air flow. Therefore leave yourself some room for adjustment. The appliance is designed to allow proper air flow when installed up against the wall.