

MF 3051

30"

30" Monolith Freezer - Fully Integrated, panel ready



Infinity Light

Ice Maker

Soft System

Soft Telescopic

Smart Device



Energy consumption (kWh/y)	529
Estimated Yearly Energy Cost in US \$*	64
Sound rating dB(A)**	39
Freezer capacity cu.ft. (l)	15.2 (431)
Number of shelves	4
Number of door racks	3
Number of FrostSafe drawers	3
Electronic control	InfinitySwipe
Freezer temperature range °F (°C)	+7°F to -17°F (-14°C to -27°C)
Defrost type	automatic
Interior light	InfinityLight
Water filter	yes
IceMaker	fixed water connection
Ice cube output lbs. (kg)/24h	3.5 (1.6)
Ice cube stock lbs. (kg)	4.0 (1.8)
Door hinges	left, reversible

Product dimensions

in inch (H/W/D)	83 3/4" / 29 13/16" / 24"
in cm (H/W/D)	212.6/75.6/61

Cut out dimensions

in inch (H/W/D)	84" / 30" / 25"
in cm (H/W/D)	213.4/76/63.5
Net weight lbs. (kg)	390.2 (177.0)
Voltage V/Hz	115/60

Available Accessories

9901 872	Stainless steel Door Panel 30"
9901 461	Monolith brushed aluminum square handle
9901 489	Monolith stainless steel round handle
9901 492	Monolith brushed aluminum soft-edge handle
9901 530	Stainless steel Toe Kick 30"
7440 002	Water filter
9902 399	Reverse door kit

Accessories for Side-by-Side installation

9901 428	Side-by-Side kit (includes wall heater)
9902 366	Stainless steel Toe Kick 60"

Features & Benefits

SuperQuiet: Noise levels are kept to a minimum thanks to virtually silent, speed-controlled, and sound absorbing compressors.

InfinitySwipe: Intuitive electronic touch-control panel features a full-color 3.5-inch touch & swipe screen that allows you to control every function.

InfinityLight: Casts beautiful and even side lighting that can be tuned according to personal taste, including a soft brightening effect upon opening the doors.

SuperFrost: Quick freeze just-bought groceries to preserve optimum food freshness, while sealing in flavors and maintaining essential vitamins and minerals.

Warranty terms

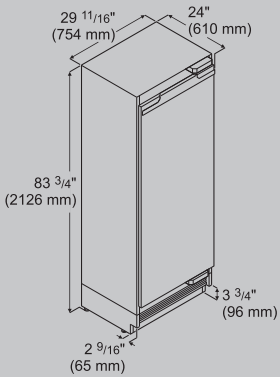
Full 2-Year Warranty, full 5-Year Warranty in the Sealed System and limited 6-12 Year Warranty.

* Estimated energy cost will depend on utility rates and use. Estimated energy cost based on a national average electricity cost of 12 cents per kWh.

** Noise output – according to EN 60704-3.

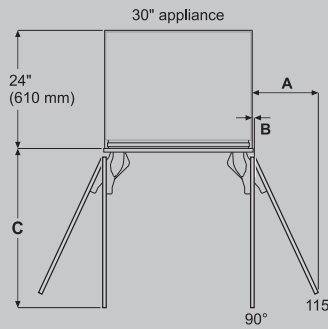
LIEBHERR

Product Dimensions



IMPORTANT!
Stated minimum height dimensions include when the leveled feet are fully inserted.

Height can be increased by a maximum of 1" (26 mm) by turning the adjustable feet. When the appliance is fitted in the recess, the appliance must be raised by turning the adjustable feet so that the appliance top has contact with the anti-tipping bracket. This results in a 4" (102 mm) Toe Kick height.



Inset

- A = 13 1/4" (337 mm)
- B = 1/2" (12.5 mm)
- C = 31 7/8" (810 mm)

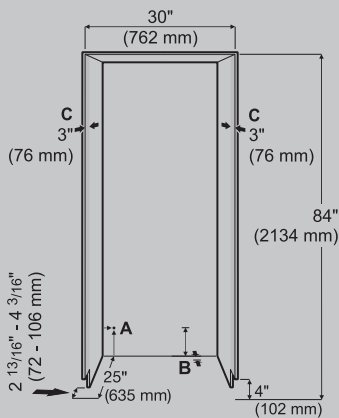
Frameless

- A = 13 1/2" (343 mm)
- B = 1/2" (12.5 mm)
- C = 32 3/8" (822 mm)

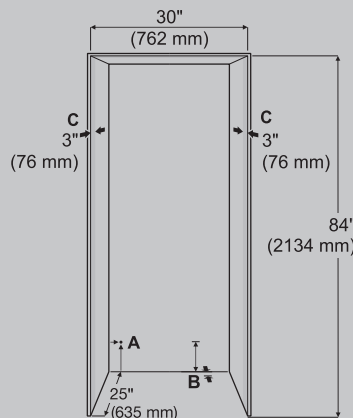
Dimension A = without mounted door handle

Cut out Dimensions

Continuous Toe Kick



Individual Toe Kick



A

This is the point where the power cord exits from the appliance rear. 3/4" (19 mm) from the left and 5" (127 mm) from the floor. Free length of the power cord is 98" (2.5 m).

We recommend power outlet to be placed outside of the appliance opening.

A 15 or 20 A, 110-120 VAC circuit grounded and protected by a circuit breaker or fuse is required.

B

The appliance has a recess in this area for cable and waterline laying. 1" (25 mm) in depth and 5 1/2" (140 mm) in height over the whole width of the appliance. With the water filter installed, the pressure must be 40-90 psi, without the water filter installed the acceptable pressure is 22-87 psi. A shut-off valve must be installed between the water line and the main water supply. It must be easily accessible so the water supply can be stopped immediately if necessary.

C

This surface is visible when the appliance door is open. Designed finish is required.

Door Panel Dimensions



30" recess

Inset installation style

- H = 79 7/8" (2029 mm)
- W = 29 3/4" (756 mm)

Frameless installation style

- H = 80" (2032 mm) Add overlapping dimension to the panel on the top.
- W = 30" (762 mm) Add overlapping dimension to the panel on both sides.

Maximum panel weight = 66 lbs. (30 kg)

Specifications are for planning purposes only. For more detailed information refer to installation instructions or Design Guide. Liebherr reserves the right to change product specifications without notice. Other product downloads are available at home.liebherr.com/monolith.