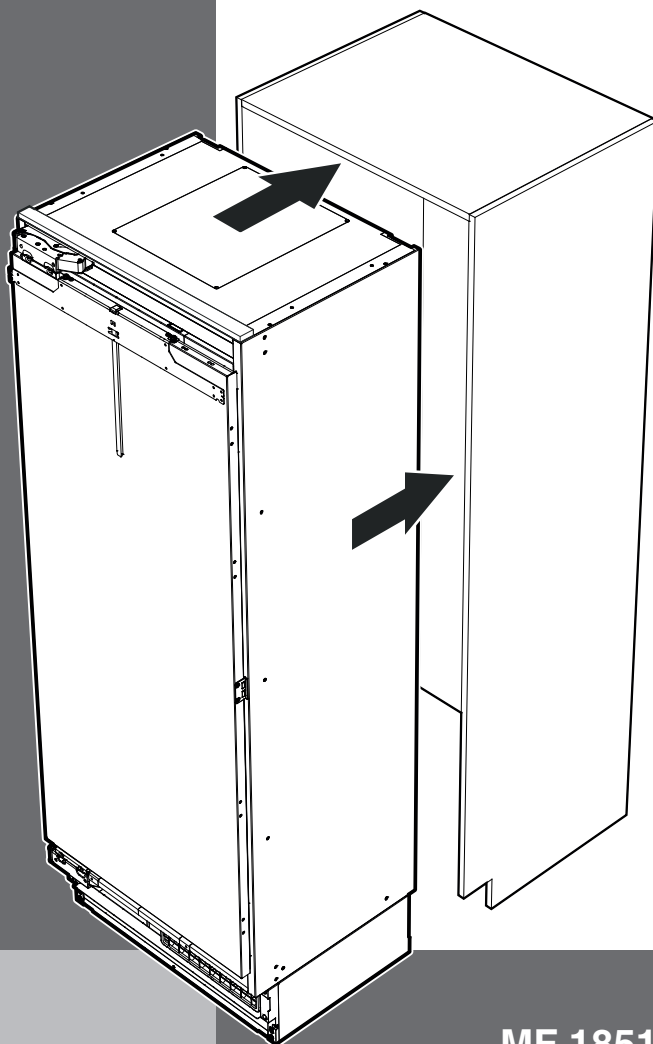


# LIEBHERR

## Installation Instructions

For Fully Integrated Freezer



MF 1851 / MF 2451 / MF 3051 / MF 3651  
7085 109-03

# IMPORTANT

## Please Read and Follow these Instructions

These instructions contain Danger, Warning and Caution notes.

This information is important for safe and efficient installation and operation.

Always read and comply with all Danger, Warning and Caution notes!



### DANGER!

**Danger indicates a hazard which will cause serious injury or death if precautions are not followed.**



### WARNING!

**Warning indicates a potentially hazardous situation which, if not avoided, could result in death or serious injury.**



### CAUTION!

**Caution indicates a potentially hazardous situation which, if not avoided, may result in minor or moderate injury.**

### IMPORTANT

*This indicates information that is especially relevant to a problem-free installation and operation.*

## Note to the Installer

It is very important to follow the instructions in the manual to ensure proper installation and operation of the unit.

Before installing the unit, be sure to thoroughly read and understand all of the information in this manual.



### WARNING!

**Electrocution hazard.**

**Do not connect to the electrical outlet before the installation is completed.**

## Content

## Page

Please Read and Follow these Instructions.....	2
Note to the Installer.....	2
R600a Refrigerant .....	2
Disposal of Old Appliance .....	3
Disposal of Packaging Material .....	3
Electrical Safety .....	3
Blocking for Safety.....	3
Appliance Dimensions.....	4
Door Swing Clearance (top view) .....	5
Cabinet Opening Dimensions .....	6
Panel Dimensions.....	8
Unpacking .....	10
Standard Accessories.....	12
Anti-Tipping Device.....	13
Mounting the Anti-Tipping Device .....	13
Safety Instructions and Warnings for Water Connection ..	14
Water Connection Requirements .....	14
Appliance Installation.....	14
Please note in case of removing appliance from the recess ..	22
Important Note for Changing over Door Hinges or Limiting the Hinges to a 90° Opening Angle .....	22

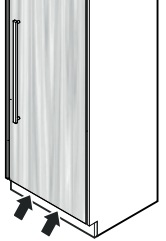
## R600a Refrigerant



### WARNING!

**The refrigerant R600a contained within the appliance is environmentally friendly, but flammable. Leaking refrigerant can ignite.**

To prevent possible ignition, follow the warnings below:

- **Keep ventilation openings, in the appliance enclosure or in the built-in structure, clear of obstruction.** 
- **Do not damage the refrigerant circuit.**
- **Component parts and power cords shall be replaced with like components performed by factory authorized service personnel only.**

## Disposal of Old Appliance



**DANGER!**

### Risk of child entrapment.

Child entrapment and suffocation are not problems of the past.

Junked or abandoned refrigerators are still dangerous – even if they will sit for “just a few days.”

If you are getting rid of your old refrigerator, please follow these instructions to help prevent accidents.

### Before you discard old appliances:

- **Take off the doors.**
- **Leave the shelves in place so that children may not easily climb inside.**
- **Cut off the power cable from the discarded refrigerator. Discard separately from the refrigerator.**
- **Be sure to follow your local requirements for disposal of appliances.**

Contact the trash collection agency in your area for additional information.

## Disposal of Packaging Material



**WARNING!**

Keep packaging materials away from children. Polythene sheets and bags can cause suffocation!

If possible, please recycle packaging material at a recycling facility.

## Electrical Safety

Connect this appliance to a 15 amp or 20 amp, 110-120 VAC circuit which is grounded and protected by a circuit breaker or fuse.

We recommend using a dedicated circuit for this appliance to prevent circuit overload and the chance of interruption to the appliance.

This appliance is equipped with a three-prong (grounding) polarized plug for your protection against possible shock hazards.

Where a two-prong wall receptacle is encountered, contact a qualified electrician and have it replaced with a properly grounded three-prong receptacle in accordance with all local codes and ordinances.

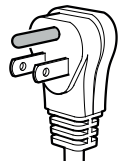


**WARNING!**

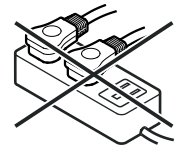
**Electrocution hazard.**

**Electrical grounding required.**

- **Do not remove the round grounding prong from the plug.** →
- **Do not use extension cords or ungrounded (two prong) adapters.**
- **Do not use a power cord that is frayed or damaged.**



- **Do not use a power strip.** →



Failure to follow these instructions may result in fire, electric shock or death.

## Blocking for Safety



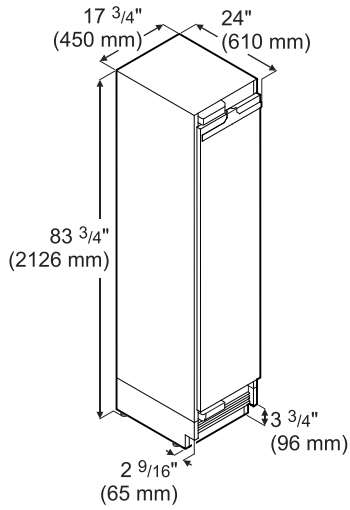
**WARNING!**

To avoid a hazard due to instability of the appliance, it must be fixed in accordance with the instructions.

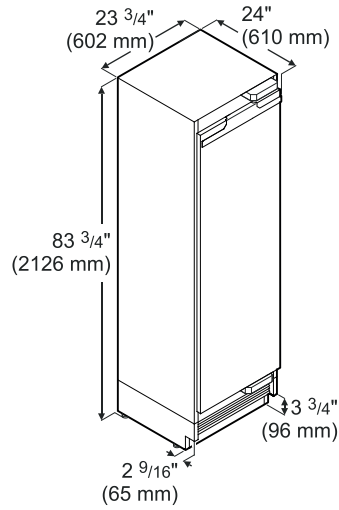
# PLANNING INFORMATION

## Appliance Dimensions

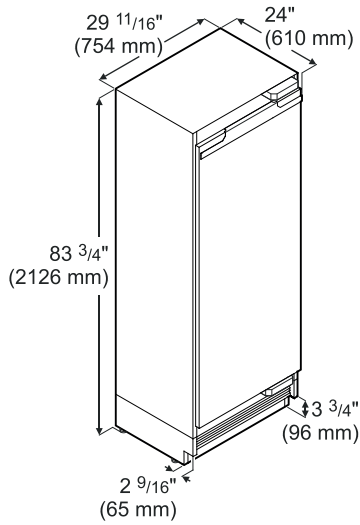
**MF 1851**



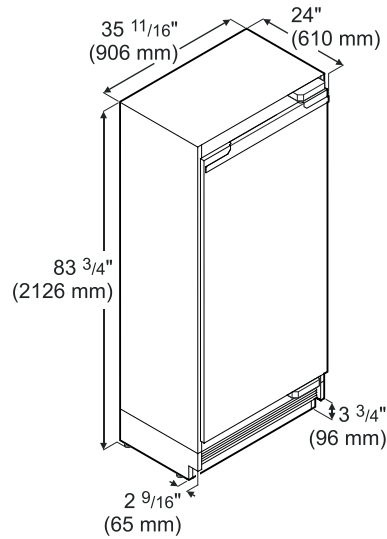
**MF 2451**



**MF 3051**

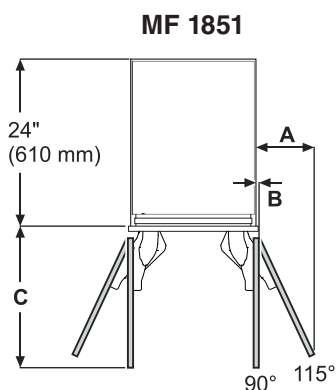


**MF 3651**



Stated minimum height dimensions include when the levelled feet are fully inserted. Width will increase by 1/4" (6.5 mm) when mounting strips are installed.

## Door Swing Clearance (top view)

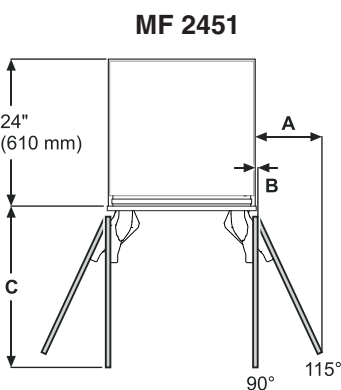


### Inset installation style

A = 8 1/4" (210 mm)  
 B = 1/2" (12.5 mm)  
 C = 19 7/8" (505 mm)

### Frameless installation style

A = 8 1/2" (216 mm)  
 B = 1/2" (12.5 mm)  
 C = 20 3/8" (517 mm)

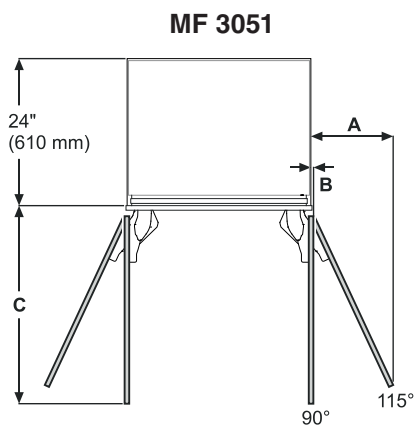


### Inset installation style

A = 10 3/4" (273 mm)  
 B = 1/2" (12.5 mm)  
 C = 25 7/8" (658 mm)

### Frameless installation style

A = 11" (279 mm)  
 B = 1/2" (12.5 mm)  
 C = 26 3/8" (670 mm)

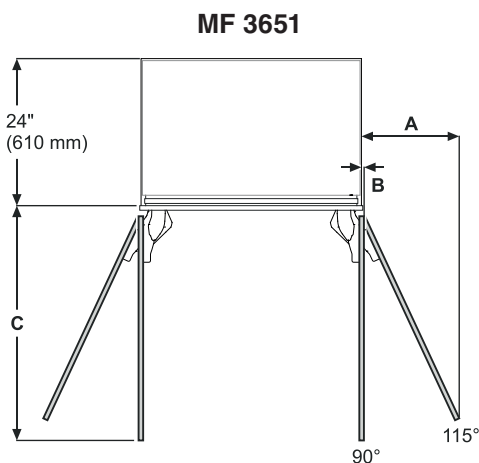


### Inset installation style

A = 13 1/4" (337 mm)  
 B = 1/2" (12.5 mm)  
 C = 31 7/8" (810 mm)

### Frameless installation style

A = 13 1/2" (343 mm)  
 B = 1/2" (12.5 mm)  
 C = 32 3/8" (822 mm)



### Inset installation style

A = 15 3/4" (400 mm)  
 B = 1/2" (12.5 mm)  
 C = 37 7/8" (962 mm)

### Frameless installation style

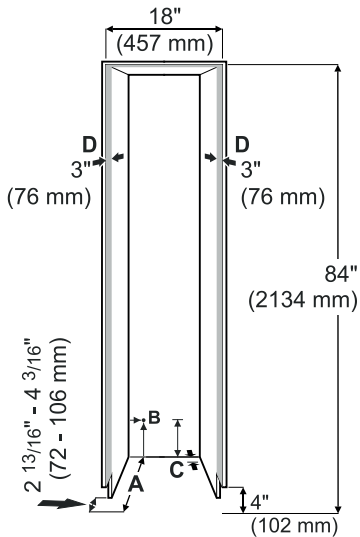
A = 16" (406 mm)  
 B = 1/2" (12.5 mm)  
 C = 38 3/8" (975 mm)

Dimension A and B: Add panel thickness and handle to calculate distance to wall.

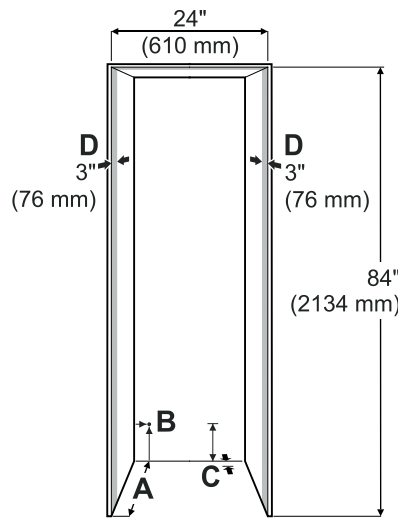
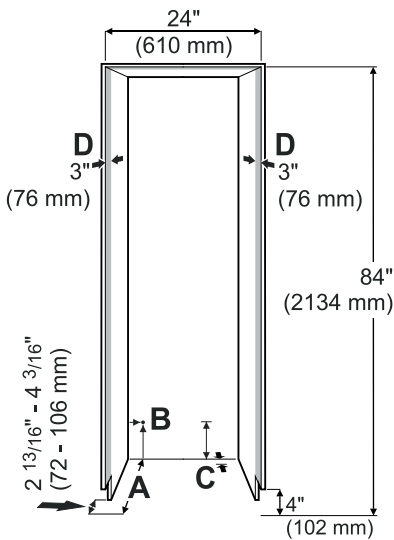
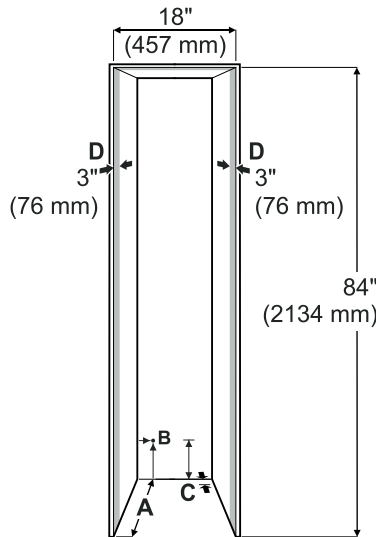
# PLANNING INFORMATION

## Cabinet Opening Dimensions

Continuous toe kick



Individual toe kick



**A**  
Cabinet depth frameless installation style = 25" (635 mm)

Cabinet depth inset installation style = 25" (635 mm) plus panel thickness

**B**  
This is the point where the power cord exits from the appliance rear. 3/4" (19 mm) from the left and 5" (127 mm) from the floor.

Free length of the power cord is 98" (2.5 m).

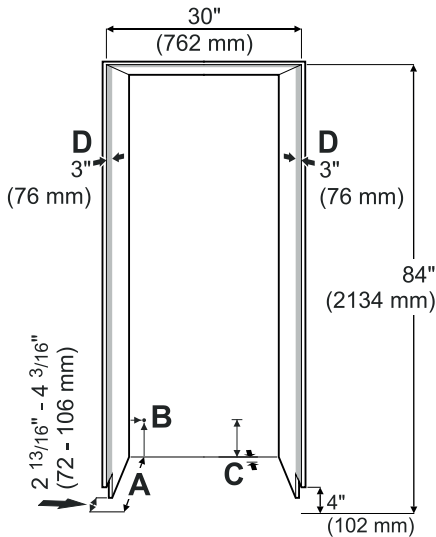
### IMPORTANT

*The power plug must be easily accessible so that the appliance can be disconnected from the mains quickly in an emergency. It must not be behind the back of the appliance.*

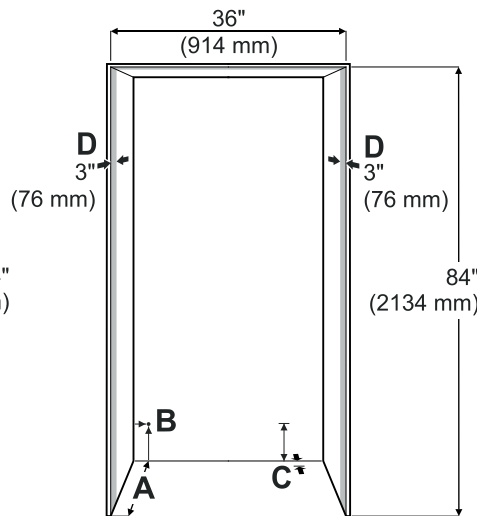
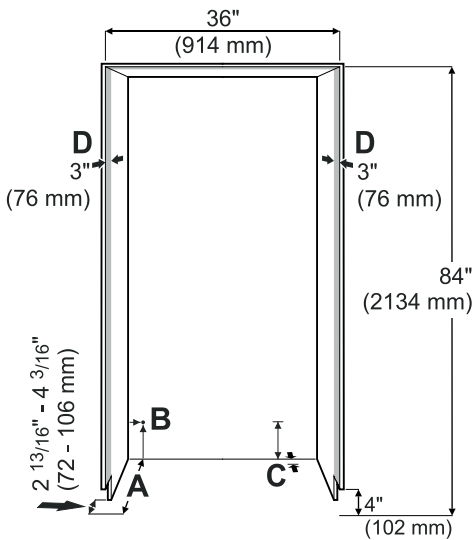
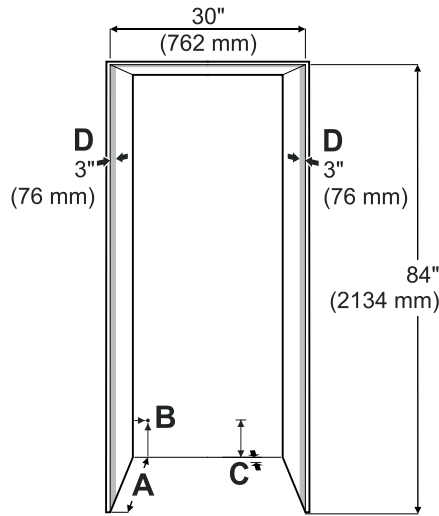
**C**  
The appliance has a recess in this area for cable and waterline laying. 1" (25 mm) in depth and 5 1/2" (140 mm) in height over the whole width of the appliance.

**D**  
This surface is visible when the appliance door is open. Designed finish is required.

**Continous toe kick**



**Individual toe kick**



**A** Cabinet depth frameless installation style = 25" (635 mm)

Cabinet depth inset installation style = 25" (635 mm) plus panel thickness

**B** This is the point where the power cord exits from the appliance rear. 3/4" (19 mm) from the left and 5" (127 mm) from the floor.

Free length of the power cord is 98" (2.5 m).

**IMPORTANT**

*The power plug must be easily accessible so that the appliance can be disconnected from the mains quickly in an emergency. It must not be behind the back of the appliance.*

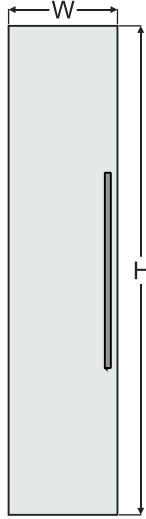
**C** The appliance has a recess in this area for cable and waterline laying. 1" (25 mm) in depth and 5 1/2" (140 mm) in height over the whole width of the appliance.

**D** This surface is visible when the appliance door is open. Designed finish is required.

# PLANNING INFORMATION

---

## Panel Dimensions



### 18" recess

#### **Inset installation style**

H = 79 7/8" (2029 mm)

W = 17 3/4" (451 mm)

#### **Frameless installation style**

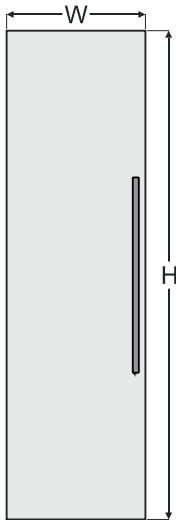
H = 80" (2032 mm) plus overlapping of the panel on the top

W = 18" (457 mm) plus overlapping of the panel on both sides

Minimum panel thickness = 5/8" (16 mm)

Maximum panel thickness = 1" (25 mm)

Maximum panel weight = 55 lbs (25 kg)



### 24" recess

#### **Inset installation style**

H = 79 7/8" (2029 mm)

W = 23 3/4" (603 mm)

#### **Frameless installation style**

H = 80" (2032 mm) plus overlapping of the panel on the top

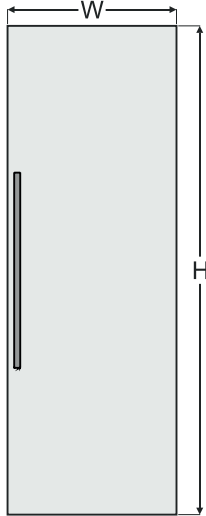
W = 24" (610 mm) plus overlapping of the panel on both sides

Minimum panel thickness = 5/8" (16 mm)

Maximum panel thickness = 1" (25 mm)

Maximum panel weight = 66 lbs (30 kg)





## 30" recess

### **Inset installation style**

H = 79 7/8" (2029 mm)

W = 29 3/4" (756 mm)

### **Frameless installation style**

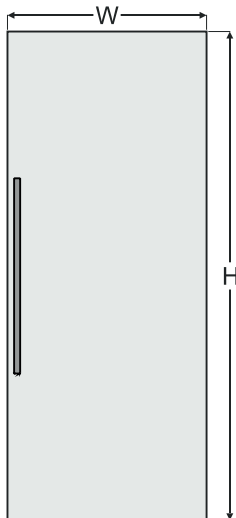
H = 80" (2032 mm) plus overlapping of the panel on the top

W = 30" (762 mm) plus overlapping of the panel on both sides

Minimum panel thickness = 5/8" (16 mm)

Maximum panel thickness = 1" (25 mm)

Maximum panel weight = 77 lbs (35 kg)



## 36" recess

### **Inset installation style**

H = 79 7/8" (2029 mm)

W = 35 3/4" (908 mm)

### **Frameless installation style**

H = 80" (2032 mm) plus overlapping of the panel on the top

W = 36" (914 mm) plus overlapping of the panel on both sides

Minimum panel thickness = 5/8" (16 mm)

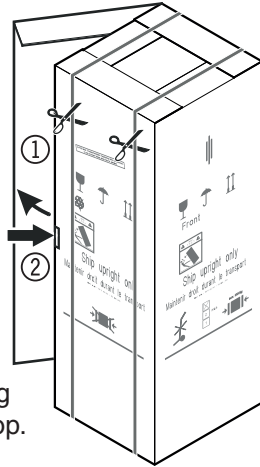
Maximum panel thickness = 1" (25 mm)

Maximum panel weight = 88 lbs (40 kg)

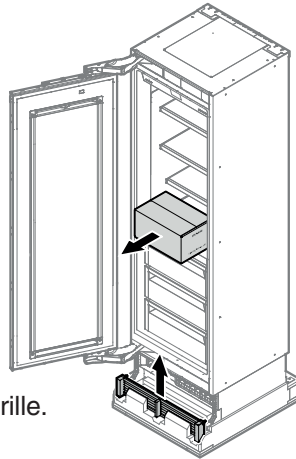
# UNPACKING

## Unpacking

1. Cut the straps and remove them.
2. Press in the lug, tear or cut the carton on the edge and remove it.
3. Remove all styrofoam packing material from the sides and top.

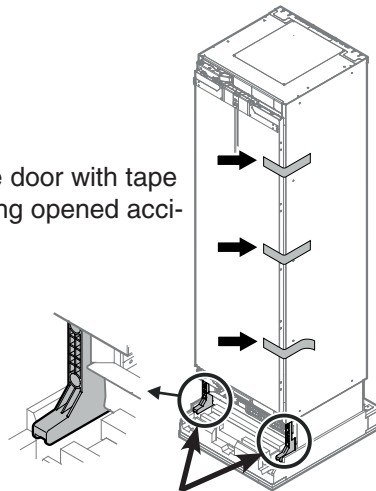


4. Remove the box with mounting parts.



5. Remove the ventilation grille.

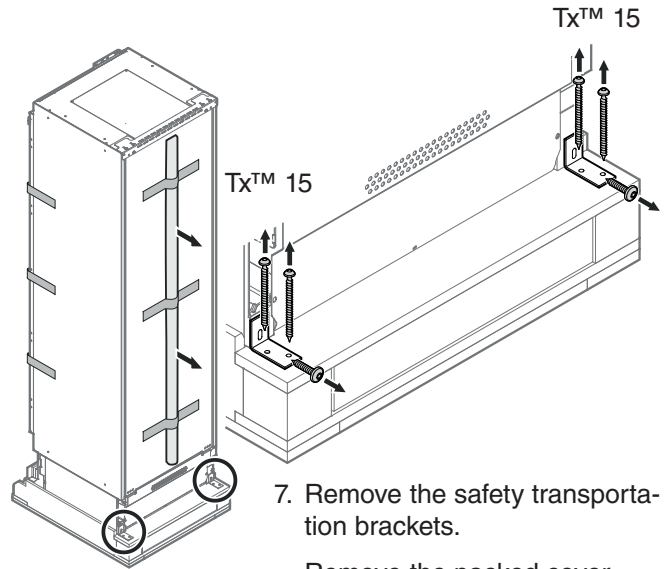
6. Secure the appliance door with tape to prevent it from being opened accidentally.



**! DANGER!**

**Risk of death or serious injury due to appliance tipping.**

**Do not remove the transit supports before the appliance is in the recess.**



7. Remove the safety transportation brackets.

Remove the packed cover strips and support strips from the appliance rear.

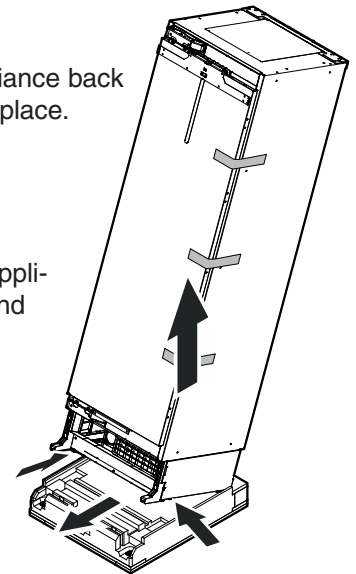
**! WARNING!**

**Risk of injury and damage.**

**Four people are required to safely remove the appliance from the bottom pallet.**

8. One person tilt the appliance back carefully and holds it in place.

9. Two people grasp the appliance from the bottom and lift. One on each side.

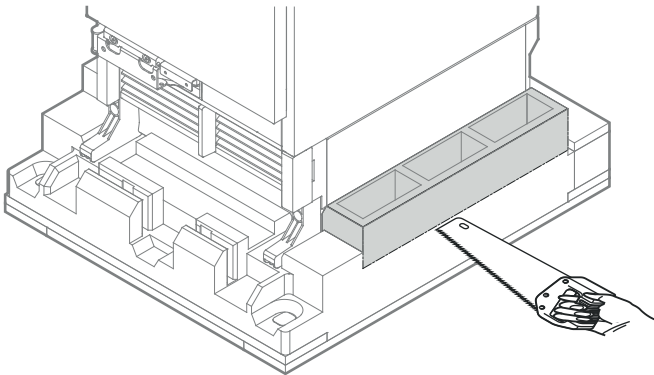


10. One person removes the pallet.

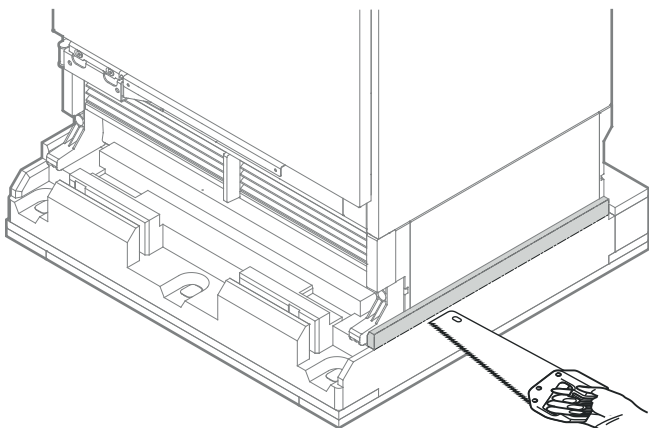
Place the appliance carefully on the floor.

## Alternative possibility:

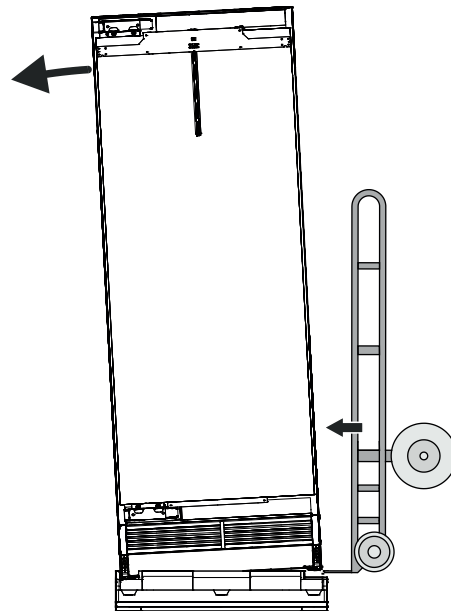
Cut off the marked area from the pallet.



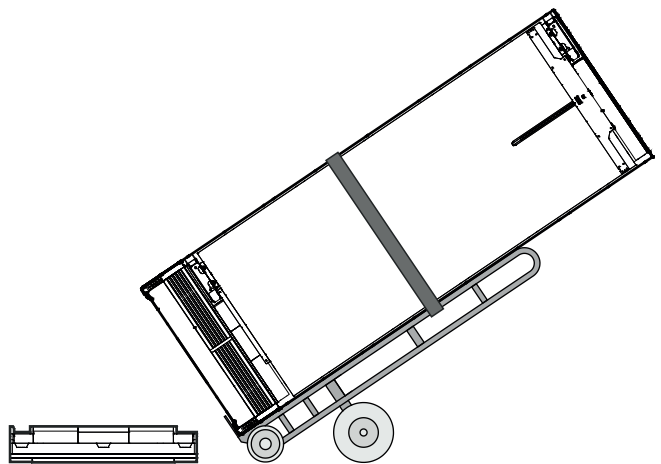
or



Tilt the appliance slightly sideways.



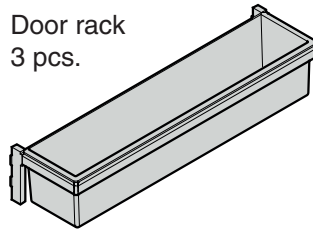
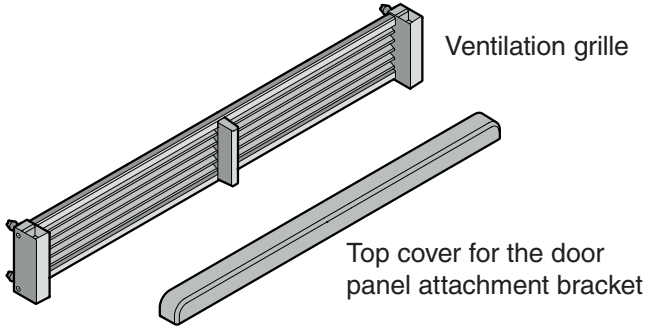
Slide a two-wheeled cart between the appliance and packaging.  
Restrain the appliance to the cart with straps.  
Tilt the appliance onto the cart.



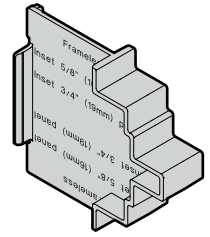
Place the appliance carefully on the floor.

# STANDARD ACCESSORIES

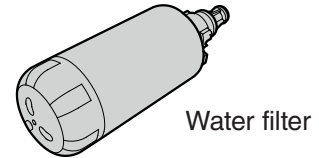
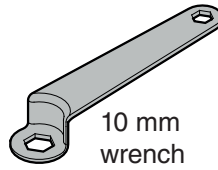
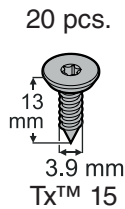
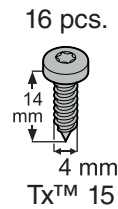
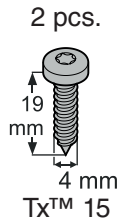
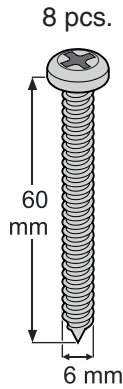
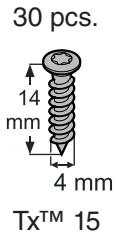
## Standard Accessories



Depth adjustment aid  
4 pcs.



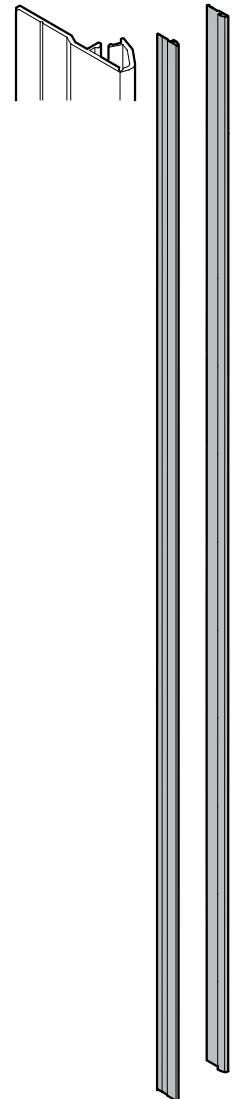
Retaining screws for installation



Panel support strips

Door cover strips for the panel supports

Appliance cover strips for the gap between appliance and recess



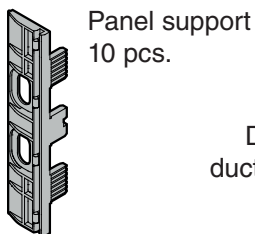
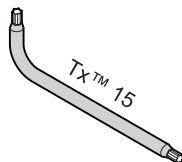
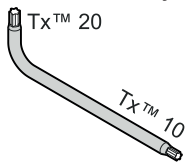
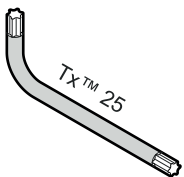
### SmartDeviceBox

Includes component for Smartphone Connectivity

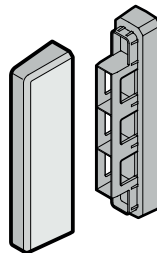
**DO NOT DISCARD!**

Forward to appliance user!

Torx™ keys



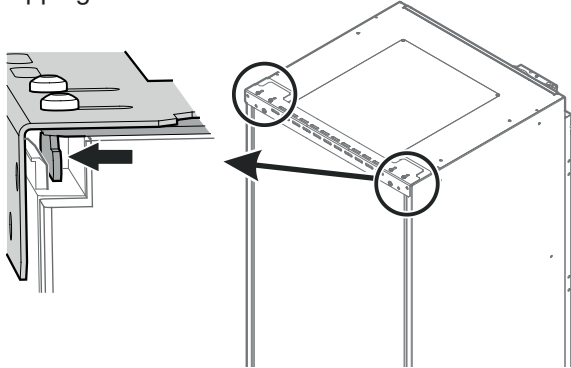
Divider for ventilation duct in the toe kick area



Screw length measuring tool

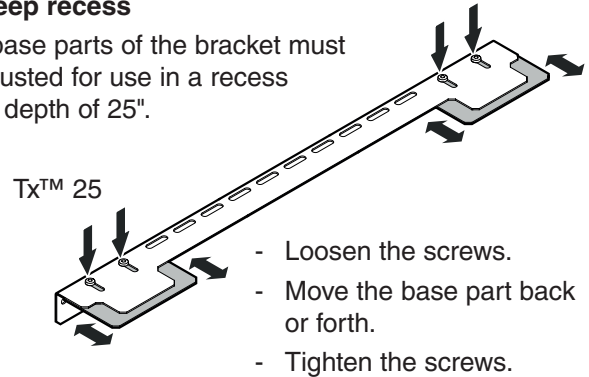
## Anti-Tipping Device

The anti-tipping device is mounted on the back wall in the recess at the finished installation height. After the appliance is in the recess and raised in height, the hook of the bracket will connect with the appliance top and prevent tipping.



### Adjustment of the anti-tipping bracket for use in a 25" deep recess

Both base parts of the bracket must be adjusted for use in a recess with a depth of 25".

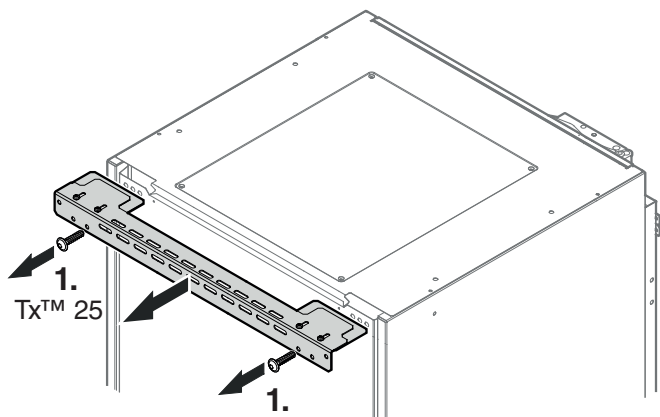


- Loosen the screws.
- Move the base part back or forth.
- Tighten the screws.

## Mounting the Anti-Tipping Device

### ⚠ WARNING!

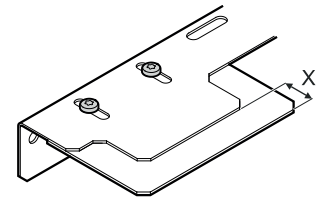
- The anti-tipping bracket must be mounted to prevent the appliance from tipping when the fully stocked door is opened.
- Be sure that there is no plumbing or electrical wiring located in this area which screws or drills could damage.



1. Remove the anti-tipping bracket. The screws are no longer needed.

### Frameless

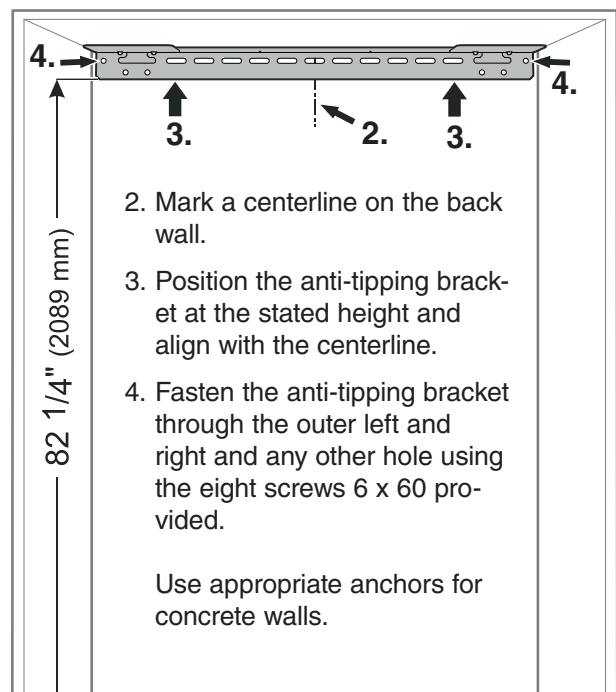
X = 1 7/16" (36 mm)



### Inset

X = 1 7/16" (36 mm) - panel thickness

If the recess is deeper than 25", a spacer must be mounted between bracket and wall.



2. Mark a centerline on the back wall.
3. Position the anti-tipping bracket at the stated height and align with the centerline.
4. Fasten the anti-tipping bracket through the outer left and right and any other hole using the eight screws 6 x 60 provided.

Use appropriate anchors for concrete walls.

# INSTALLATION

## Safety Instructions and Warnings for Water Connection

- Do not install the water connection while the appliance is connected to an electrical outlet.
- The connection to the water supply may only be made by a trained and licensed plumber.

### ⚠ WARNING!

Connect to potable water supply only.

## Water Connection Requirements

- The water pressure must be in the range of **40-90 psi (2.8-6.2 bar)**.

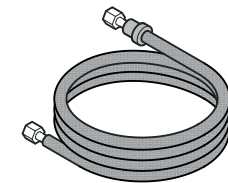
Failure to meet these requirements may result in ice maker malfunction and a water leak that can damage flooring and surrounding furniture.

- A shut-off valve must be installed between the water line and the main water supply. It must be easily accessible so the water supply can be stopped immediately if necessary.

### IMPORTANT

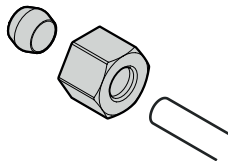
Do not install the shut-off valve behind the appliance.

For the water supply we recommend braided style ice maker hoses with 1/4" connectors.



Thread: 7/16-24 UNS  
Hose or pipe diameter 1/4"

To connect to a 1/4" copper line use a 1/4" compression nut and a metal compression ring.



To connect to a 1/4" PEX line use a 1/4" compression nut and a plastic compression ring.

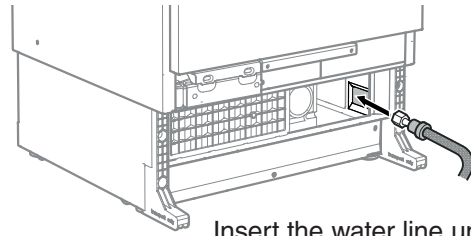
A water line is not supplied with the appliance.

### IMPORTANT

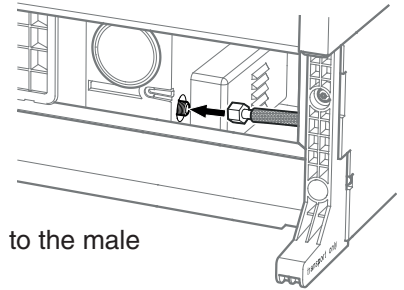
Do not use any old or already premounted water supply lines.

## Appliance Installation

Move the appliance towards the final position and leave enough space to work behind.



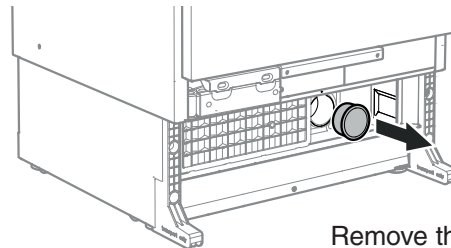
Insert the water line until it comes out on the appliance rear and pull through.



Connect the other end to the male connector and tighten.

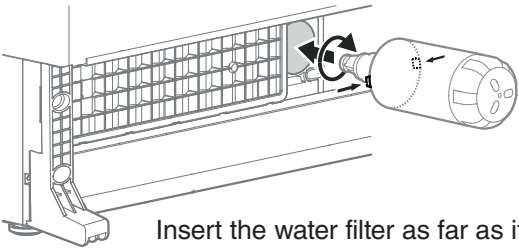
### IMPORTANT

Make sure that the connection is fitted with a seal and is tight.

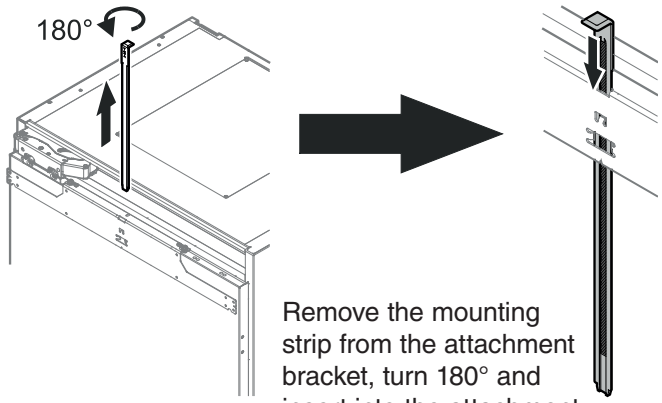


Remove the cover.

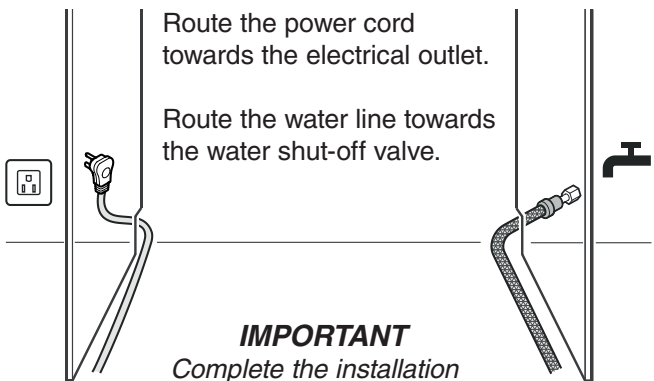
# INSTALLATION



Insert the water filter as far as it will go with the front knobs in a horizontal position and turn clockwise until it snaps in.

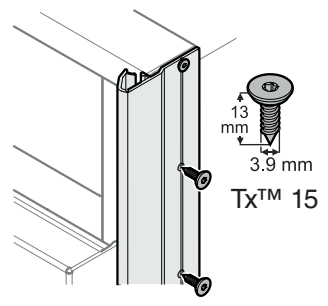
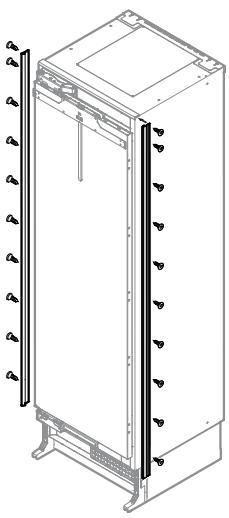


Remove the mounting strip from the attachment bracket, turn 180° and insert into the attachment bracket as far as it will go.



Route the power cord towards the electrical outlet.  
Route the water line towards the water shut-off valve.

**IMPORTANT**  
Complete the installation before switching on the device.

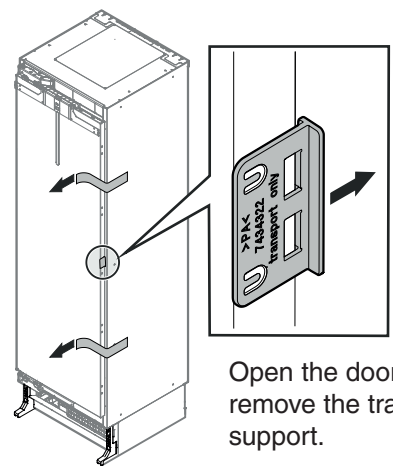


Apply the appliance cover strips to the left and right front edge of the appliance housing, align in height with the top profile and screw into place. The strip is transparent so the designed mounting holes on the appliance housing are visible.

**IMPORTANT**

Use the correct flat head screws, otherwise the edges of the cabinet will be damaged when sliding the appliance into the recess.

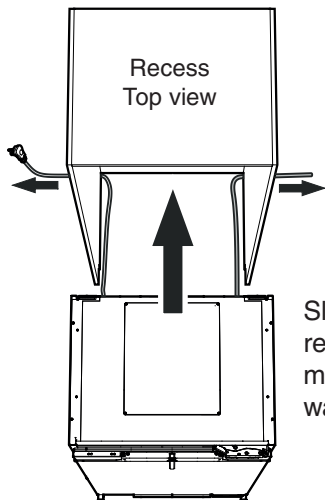
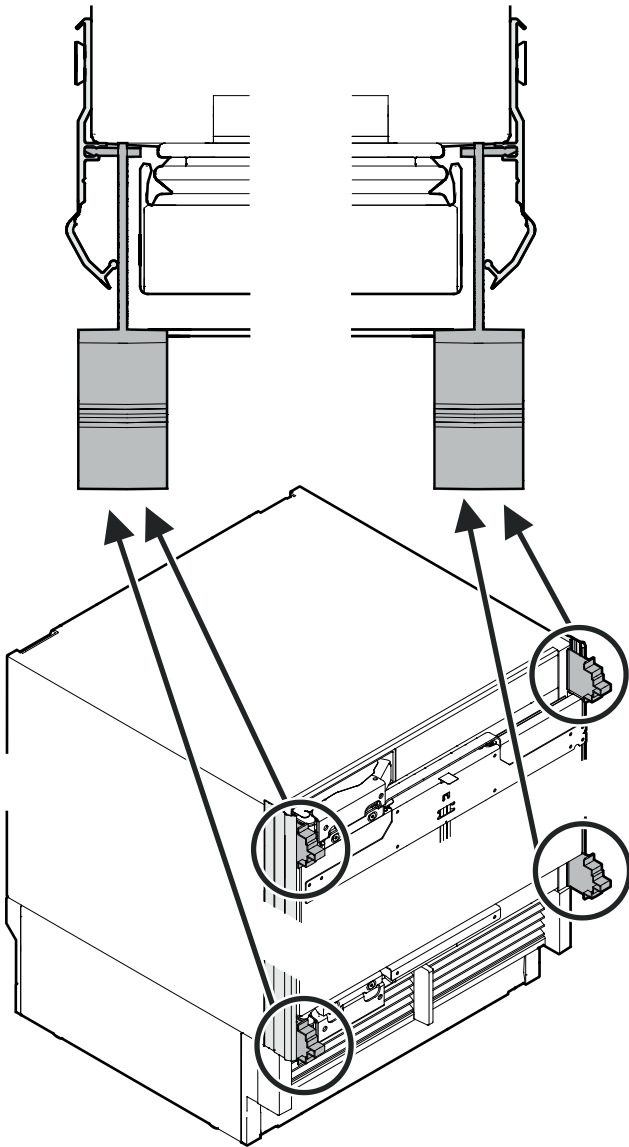
Remove the tapes.



Open the door and remove the transit support.

# INSTALLATION

Mounting the depth adjustment aid into the cover strips



Slide the appliance into the recess. To avoid damage, move the power cord and the water line at once.

Align the appliance in depth.

X = Recess front to appliance housing front (not cover strip)

**Inset 7/8" (22 mm) panel**  
X = 2 5/8" (66 mm)

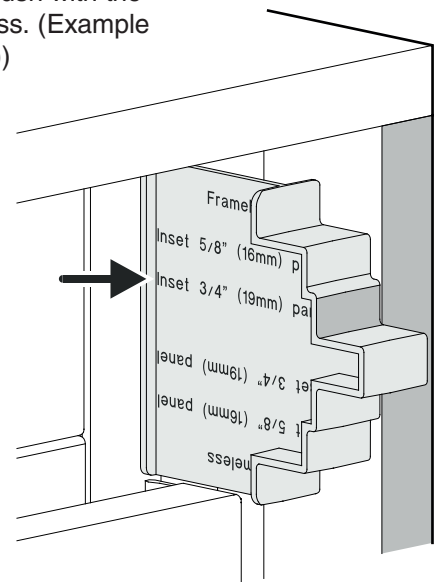
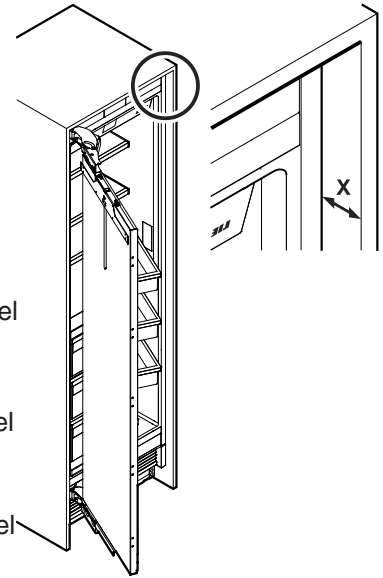
**Inset 3/4" (19 mm) panel**  
X = 2 1/2" (63 mm)

**Inset 5/8" (16 mm) panel**  
X = 2 3/8" (60 mm)

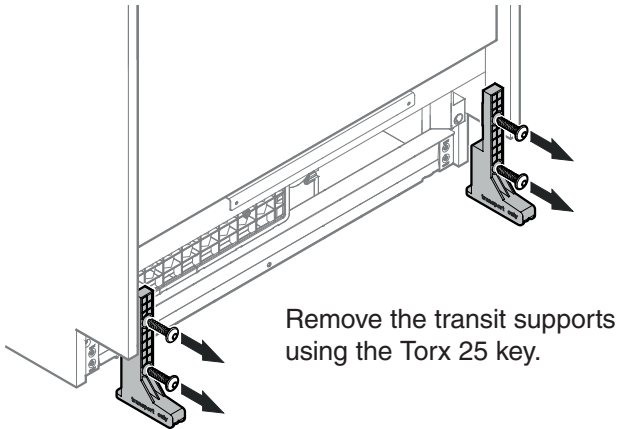
**Frameless**  
X = 1 3/4" (44 mm)

or

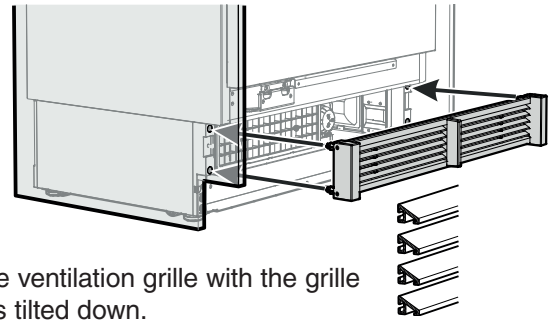
with the depth adjustment aid:  
The surface of the depth adjustment aid must be flush with the surface of the recess. (Example shows 3/4" (19mm))







Remove the transit supports using the Torx 25 key.



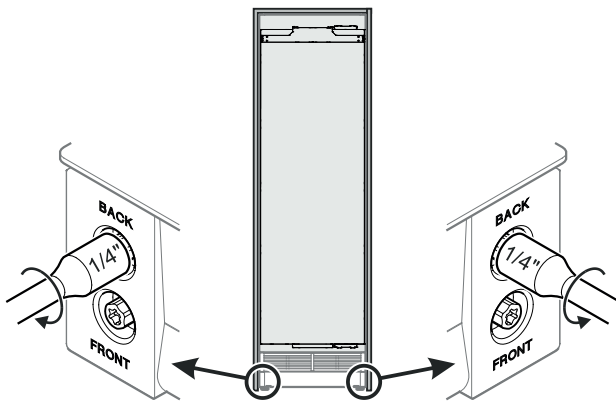
Mount the ventilation grille with the grille segments tilted down.

**⚠ DANGER!**

**Risk of death or serious injury due to appliance tipping.**

**Do not open the appliance door before the height adjustment is finished and the anti tipping bracket supports the appliance.**

Remove the depth adjustment aid before fastening the appliance in the recess.

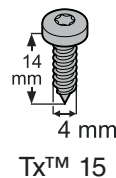
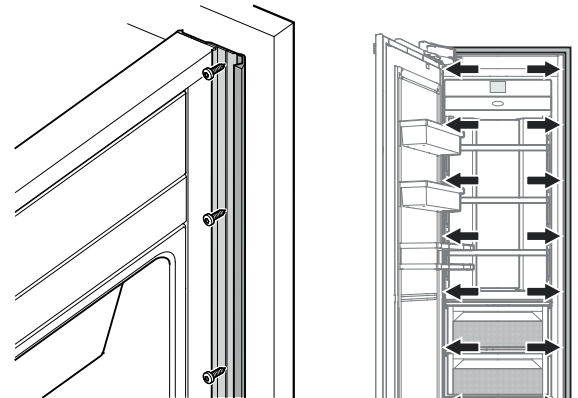


**Left**

**Right**

Turn clockwise to raise the appliance.

Turn counterclockwise to raise the appliance.



Fasten the appliance in the recess through the appliance cover strips using eight screws 4 x 14 for each side.

Tx™ 15

Raise the appliance evenly by turning the screws serially until the appliance top back touches the anti-tipping bracket (lift approx. 1/4" / 6.5 mm).

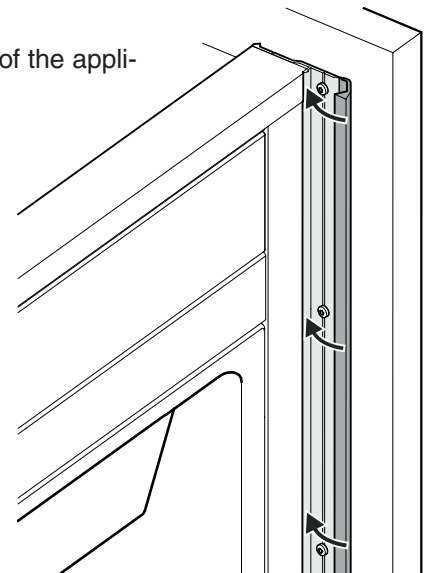
**IMPORTANT**

*When turning the screws with a power driver please consider absolutely.*

*Maximum rotation speed = 400 rpm  
Maximum torque = 8.8 lbs/in (1 Nm)*

*Failure to follow this instruction will result in damage to the height adjustment unit.*

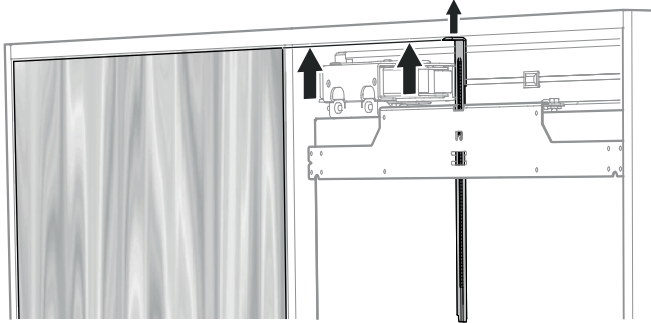
Close the front part of the appliance cover strips.



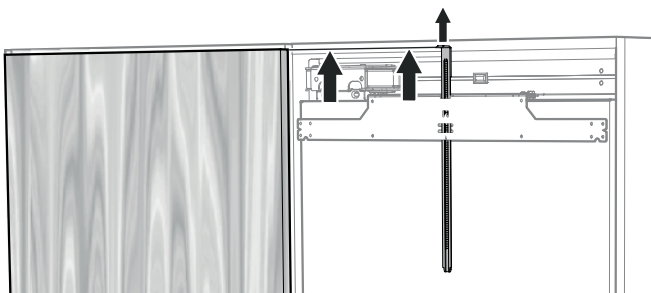
# INSTALLATION

Push the mounting strip upwards. The bottom edge of the mounting strip must be aligned with the top edge of the adjacent cabinet door.

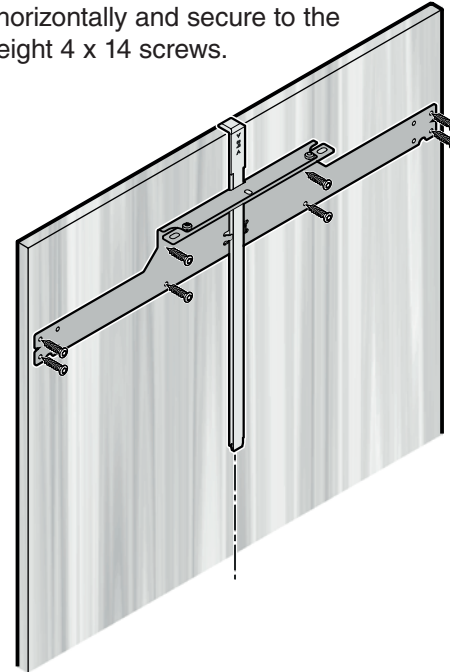
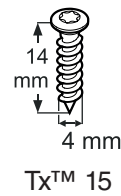
## Inset installation style



## Frameless installation style

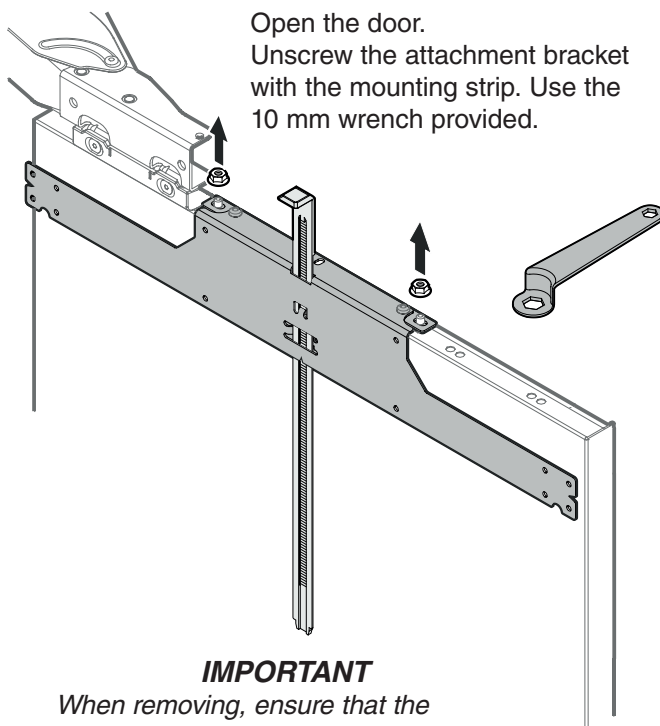


Position the attachment bracket in the middle of the door panel, align horizontally and secure to the door panel using eight 4 x 14 screws.



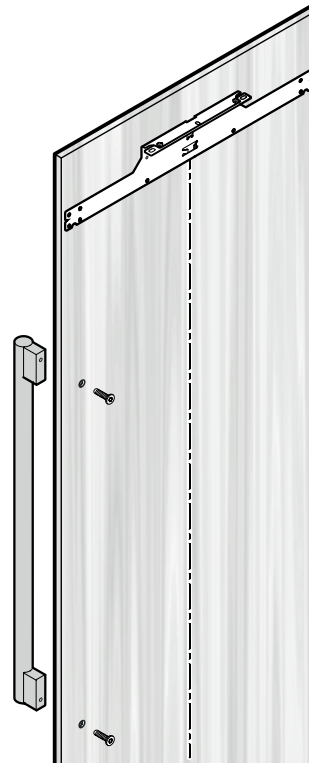
## IMPORTANT

Door handles should be mounted now because the side support strips will cover the mounting holes.



## IMPORTANT

When removing, ensure that the mounting strip does not move.



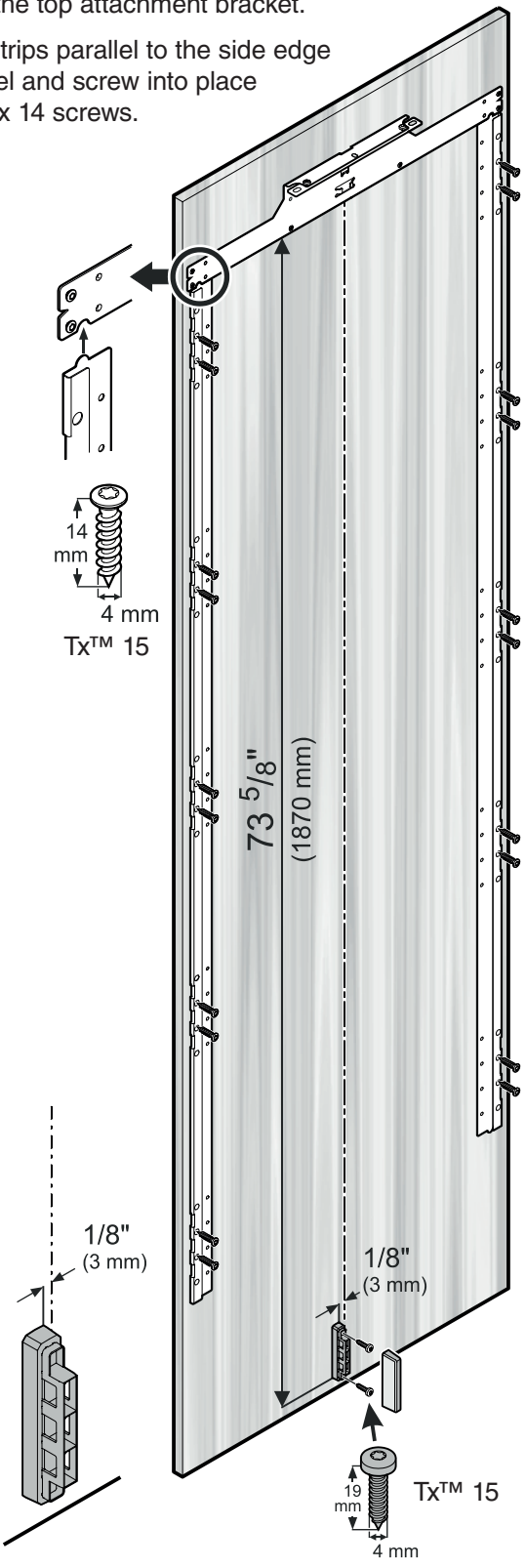
Only use countersunk screws for handle mounting.

The holes should be countersunk.

The screw heads should be flush with the panel.

Position the panel support strips with the top lug in the cut of the top attachment bracket.

Align the strips parallel to the side edge of the panel and screw into place with ten 4 x 14 screws.



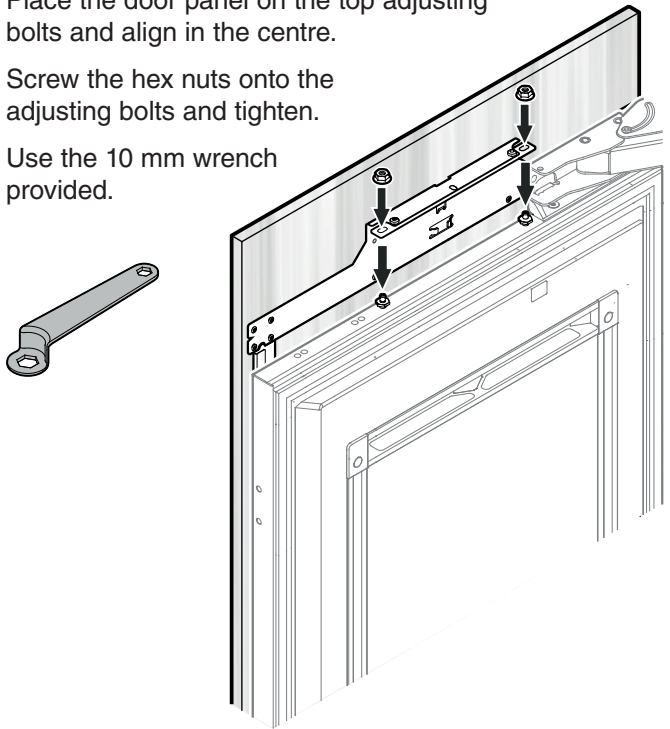
Mount the base of the ventilation duct-divider with two screws 4 x 19.

Click on the cover.

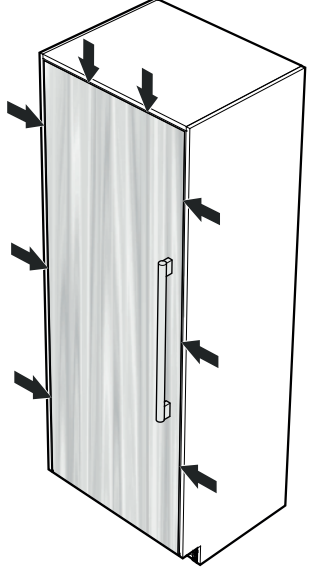
### IMPORTANT

If the door has to be limited to a 90° opening angle, it must be done before the panel is mounted onto the appliance door. See chapter "Important Note for Changing over Door Hinges or Limiting the Hinges to a 90° Opening Angle" on page 22.

Open the appliance door.  
Place the door panel on the top adjusting bolts and align in the centre.  
Screw the hex nuts onto the adjusting bolts and tighten.  
Use the 10 mm wrench provided.



Close the door and check the position of the panel.



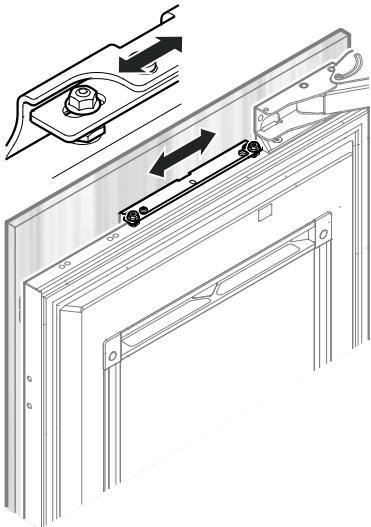
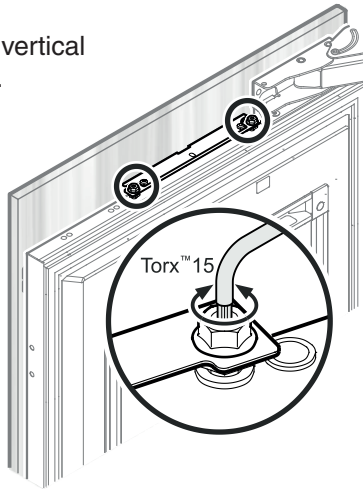
### IMPORTANT

After a certain time and loading, it may be necessary to readjust the door again.

# INSTALLATION

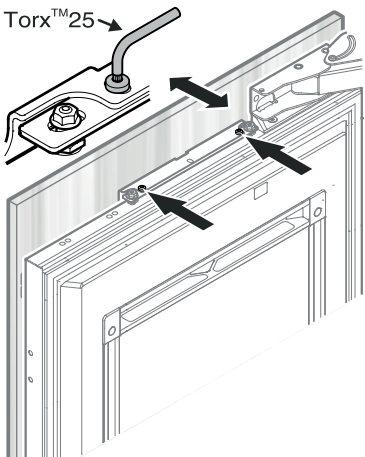
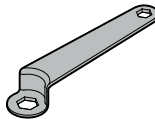
Align the panel in its vertical position if necessary.

Loosen the hex nuts and turn the adjusting bolts with the Torx™ 15 key provided.



Align the panel horizontally with the long holes in the attachment bracket.

Tighten the hex nuts. Use the 10 mm wrench provided.

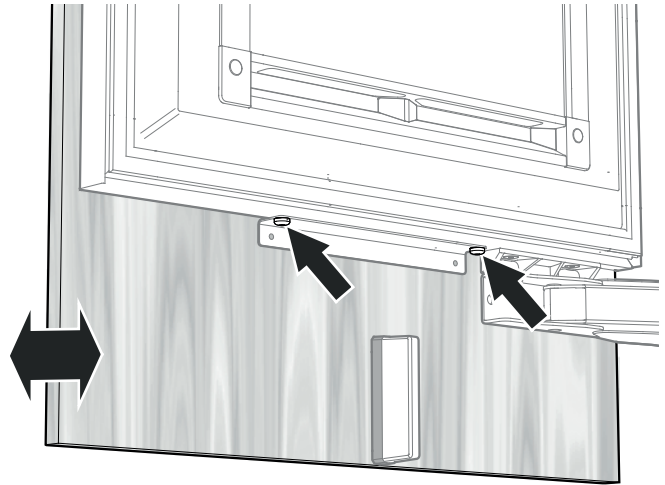


Align the panel in its depth.

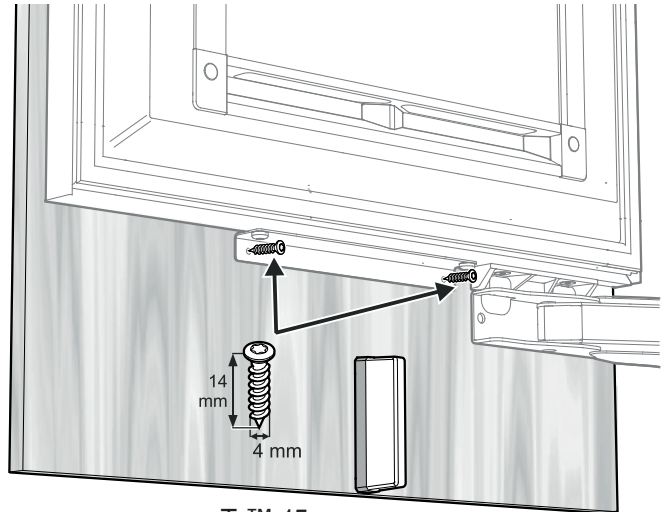
Loosen the screws, align the panel and tighten the screws.

Align the panel in its depth at the bottom.

Loosen the screws, align the panel and tighten the screws. Use the Torx 20 key provided.



Fasten the panel through the bottom attachment bracket with two screws 4 x 14.



Tx™ 15

Insert the panel supports into the support strips between panel and appliance door and screw into place with two screws M6 x 12 each.

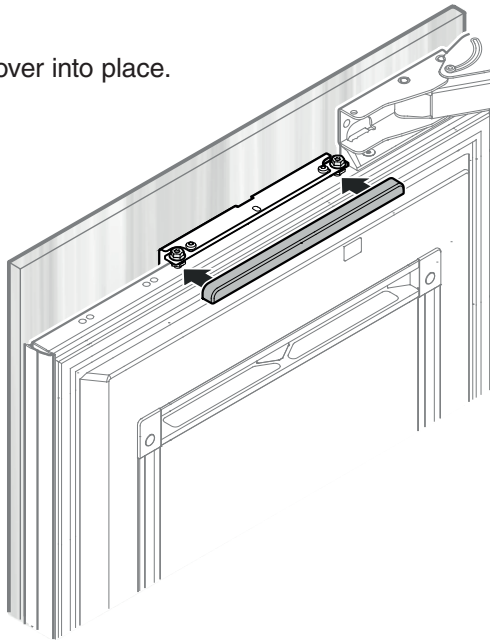


Tx™ 20

Hook the door cover strips at the front of the supports and snap in at the back.



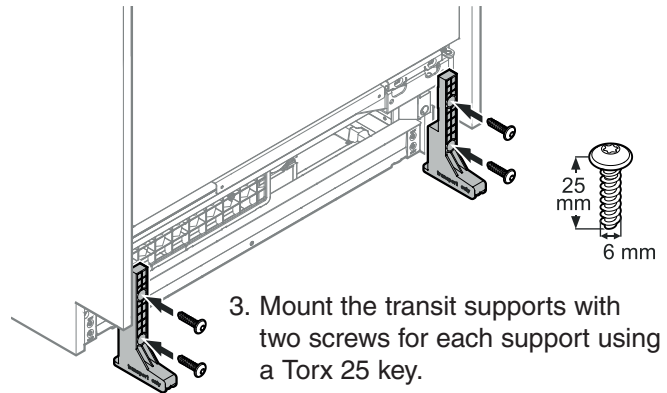
Click cover into place.



## Please note in case of removing appliance from the recess

If the appliance has to be removed from the recess again, please make sure you take account of the following.

1. Remove the mounted front panel from the appliance door.
2. Lower the appliance using the height adjustment unit.

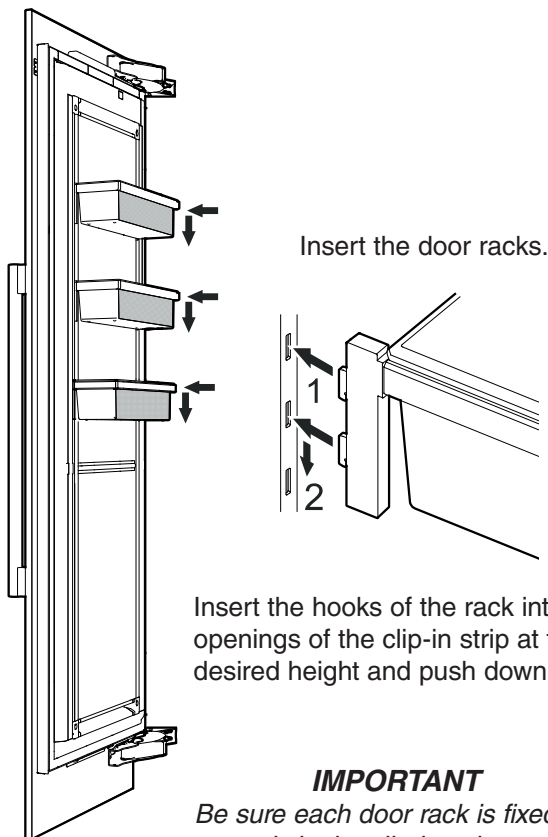


3. Mount the transit supports with two screws for each support using a Torx 25 key.

### **⚠ DANGER!**

Risk of death or serious injury due to appliance tipping.

Do not remove the appliance without the mounted transit supports.



Insert the door racks.

Insert the hooks of the rack into the openings of the clip-in strip at the desired height and push down.

### **IMPORTANT**

Be sure each door rack is fixed properly in the clip-in strip.

## Important Note for Changing over Door Hinges or Limiting the Hinges to a 90° Opening Angle

Changing the door hinges or limiting the hinges to a 90° opening angle should only be carried out by a trained expert.

The door hinges are fitted with strong closing springs. If the hinge accidentally snaps shut, this can lead to serious injury.

The door itself is very heavy. Do not try to dismantle the door yourself.

Contact the Liebherr service for more information. See contact details on the back of this manual.



## **For Service in the U.S.**

### **Liebherr Service Center**

Toll Free: **1-866-LIEBHER** or **1-866-543-2437**

Email: [Service-appliances.us@liebherr.com](mailto:Service-appliances.us@liebherr.com)

### **PlusOne Solutions, Inc.**

3501 Quadrangle Blvd, Suite 120

Orlando, FL 32817

## **For Service in Canada**

### **Liebherr Service Center**

Toll Free: **1-888-LIEBHER** or **1-888-543-2437**

[www.euro-parts.ca](http://www.euro-parts.ca)

### **EURO-PARTS CANADA**

39822 Belgrave Road

Belgrave, Ontario, N0G 1E0

Phone: (519) 357-3320

Fax: (519) 357-1326



[www.liebherr-appliances.com](http://www.liebherr-appliances.com)