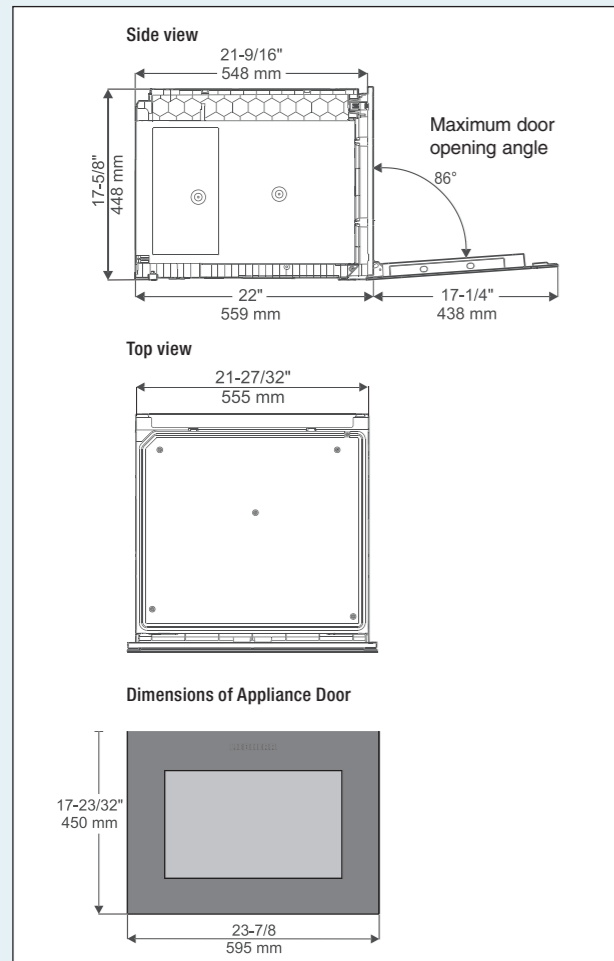


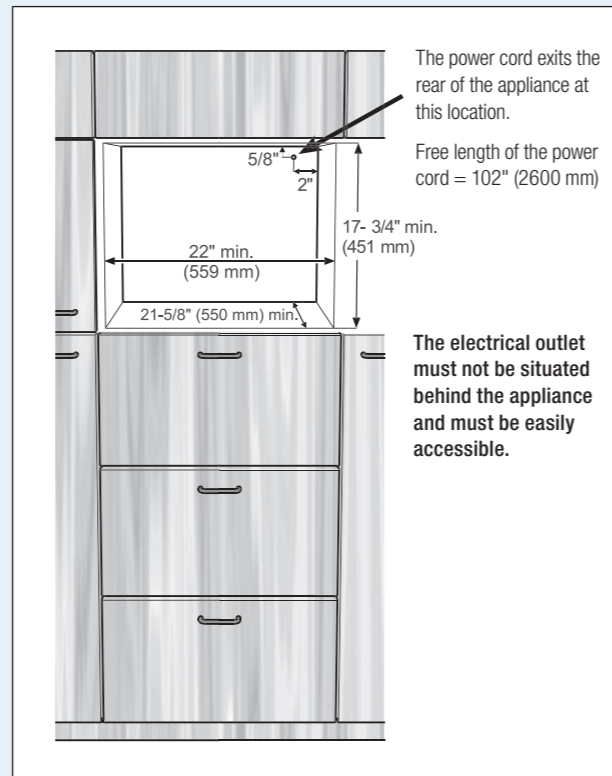
Diagrams

◀24▶

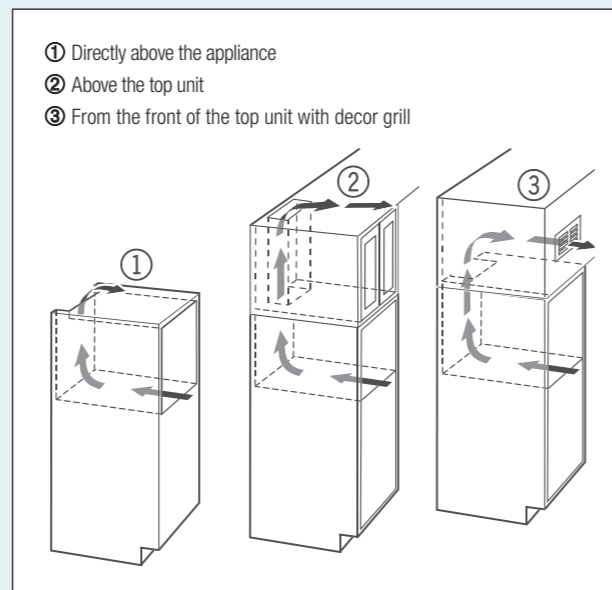
Appliance Dimensions



Cabinet Dimensions

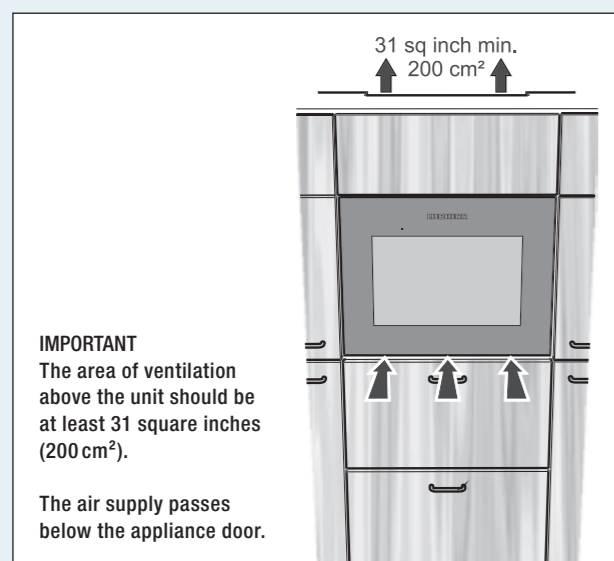


Ventilation



IMPORTANT
When using decor grills, the sum of the individual openings must total a minimum of 31 square inches. A cut-out section of 31 square inches (200 cm²) for installing the ventilation grill is thus not sufficient.

Ventilation



Liebherr HWgw 1803

Fully Integrated Wine Cabinet



LIEBHERR

Quality, Design and Innovation

Fully Integrated Wine Cabinet

◀24"▶

The innovative and superbly designed **HWgw 1803** wine cabinet is designed for today's modern kitchen. Featuring high-performance technology alongside easy-to-use features, the HWgw 1803 prove it's possible to save energy without compromising convenience and design.

Employing state-of-the-art climate technology with heating and cooling circuits, alongside FreshAir activated filtration, the HWgw 1803 ensures the very best conditions for wines to quietly mature and develop their full flavor. Precision electronics, TipOpen technology, specialized compressors, plus dozens of innovative features and accessories make Liebherr's wine storage cabinet HWgw 1803 perfect for optimally storing wine.



Fully Integrated Wine Cabinet

Capacity

Total capacity cu.ft. (l)

Max. No. of Bordeaux btls 0.75 l

Shipping weight lbs. (kg)

Climate rating

Sound rating dB(A)

Door hinges

Product dimensions

in inches (cm) H/W/D

Cut out dimensions

in inches (cm) H/W/D

Energy supply

Voltage V/Hz

ADA compliant

HWgw 1803 GrandCru

Wine

LED

Soft System

Telescopic Rails

Tip Open

1.7 (46)

18

90.4 (41)

SN-ST

34**

drop-down door with TipOpen technology

17 3/4" / 22 1/16" / 21 11/16" (45 / 56 / 55)

Min. 17 3/4" / 22 1/16" / 21 11/16" (45 / 56 / 55)

115/60

Yes

* Energy Cost will depend on utility rates and use. Estimated energy cost based on a national average electricity cost of 12 cents per kWh.

** Noise output – according to EN 60704-3

Features

◀24"▶



German Engineering: Our superior products offer premium quality, cutting edge design and innovative features that fit your busy lifestyle. Exclusive components and materials, along with the latest production processes, ensure energy efficiency and performance for years to come.



Soft System

SoftSystem: The SoftSystem gentle-closing mechanism cushions movement as the door is shut to ensure extremely gentle closing, preventing vibration, which affects the quality of the wine.



LED

LED Lighting: Dimmable LED lighting, which evenly illuminates the interior and can be left on permanently if desired. Because LEDs generate minimal heat, wines can be illuminated and beautifully presented for long term storage.



Electronic Control

Precision Electronics: The precise electronic controls have a digital temperature display and are easy to use, via either a touch screen interface or electronic keys depending on the model.



Beech wood Shelving: Solid beech wood shelves on telescopic rails for easy wine access.



FreshAir Activated Charcoal Filter: Liebherr wine cabinets are fitted with easy-to-replace FreshAir activated charcoal filters to ensure clean air. Odors are filtered out and the quality of the wine is protected.



Tip Open

TipOpen technology: When the glass door is gently tapped, TipOpen technology partially opens the unit, facilitating further opening. If the door is not opened fully within three seconds, the door will self-close, ensuring that the ideal air humidity does not escape from the cabinet.



UV Protection: In order to minimize the exposure of light which can damage the maturity of a wine, Liebherr wine cabinets are fitted with special UV-resistant insulated glass; simultaneously protecting and presenting your wine.



Alarm System: Liebherr Wine units are equipped with a trustworthy alarm system to alert the homeowner if the door has been left open or the temperature has been compromised.