

CS 1640 Premium NoFrost

30" Freestanding or Semi Built-in Refrigerator & Freezer, SmartSteel, Ice Maker, LED Lighting

When the kitchen space calls for 30", the **CS 1640** answers. Energy efficient LED lighting takes a starring role by illuminating the main compartment, and a unique integrated LED light in the bottom of the refrigerator door to shine down into freezer drawers when opened. A convenient, internal water tank allows ice production without the need to connect to the water system. Features such as a foldable glass shelf, removable VarioBox, and bottle door shelving make the interior as appealing as the beautiful exterior with ergonomic handles, beveled corners and the easy-to-clean SmartSteel finish.



LED Light Column



Clear Drawer



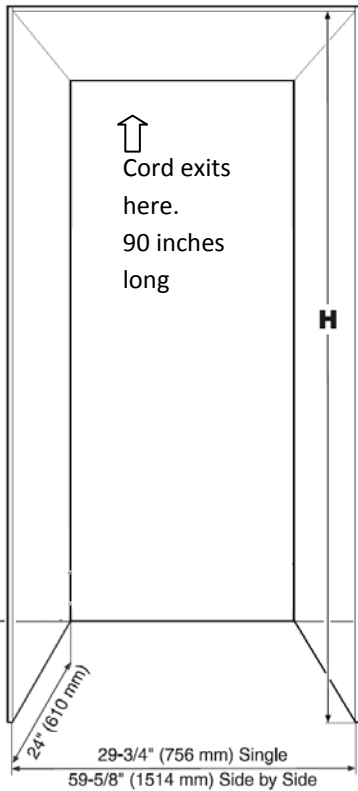
Ergonomic Lever Handle

Capacity	
Total	431 liters / 15.2 cu. ft.
Refrigerator Compartment	312 liters / 11.0 cu. ft.
Freezer Compartment	119 liters / 4.2 cu. ft.
Energy Star	Yes
Energy consumption per year	514 KWH/Y
Estimated yearly Energy Cost	\$62 USD *
Climate rating	SN-T 10°C to 43°C(50°F to 110°F)
Power	115v at 60hz 2.5 amps/300 watt
Adjustable Glass Door shelves	4
Refrigerator Compartment	
Stainless Steel Door	Right Hand, Reversible
Interior light	LED Sides
Forced air fan system	Quiet DC fan
Gallon storage door shelf	Yes
Glass Shelves Adjustable	4
VarioBox	Covered Door Shelf
Crisper	1 Clear Plastic
Shipping Weight	129 kg / 284 lbs.
Freezer compartment	
Light	LED
Icemaker	Internal Water Tank
Ice cube production in 24 hr.	1 kg / 2.2 lbs.
Ice cube storage capacity	1.5 kg / 3.3 lbs.
Bins	4 Clear Plastic
*Your Energy Costs will depend on your utility rates and use. Estimated energy cost based on a national average electricity cost of 12 cents per KWh.	

Cabinet Opening Dimensions

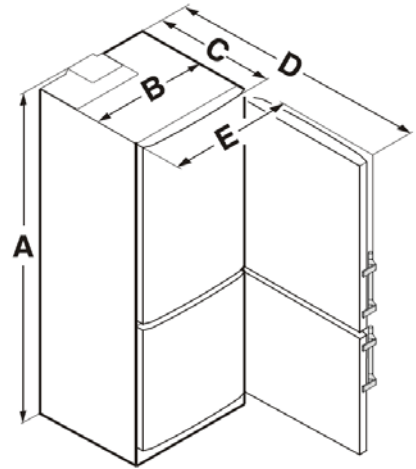
The appliance can be used freestanding or semi built-in.
If semi built-in, please consider the cabinet opening dimensions.

The power cord comes out of the appliance top.
The location of the electrical outlet can be within a radius of 90 inch from the appliance top center.



CS 16, SBS 32
H = 80" (2032 mm)

Unit Dimensions



A = 79-1/2" (2020 mm)
B = 29-3/8" (747 mm)
C = 24-13/16" (630 mm)
D = 52-3/8" (1330 mm)
E = 31-3/32" (790 mm)



With the electrical outlet at the bottom, please consider the maximum distance left or right.

Ventilation Requirements

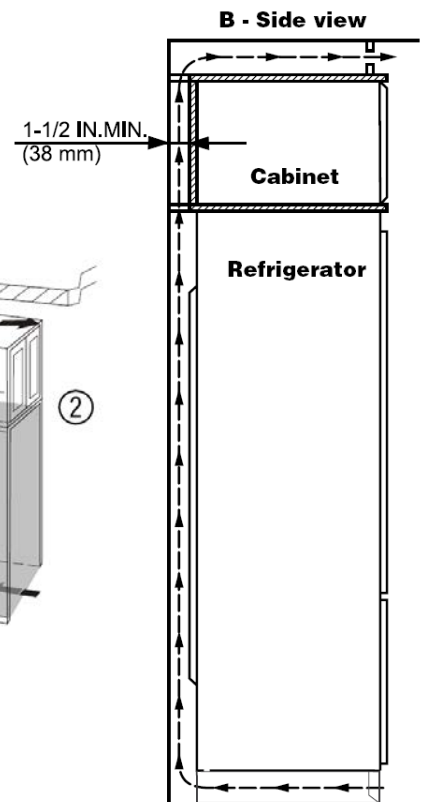
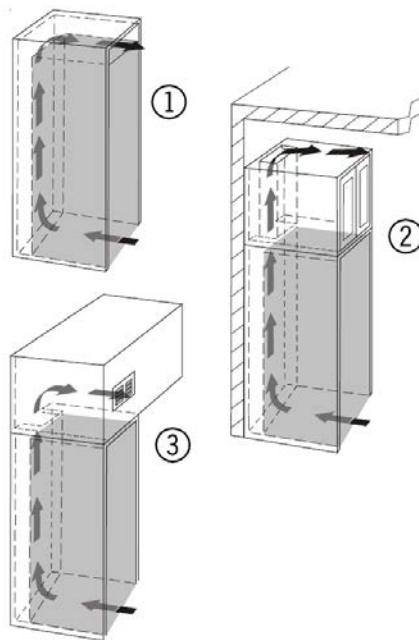
DO NOT restrict the air flow. The opening can either be directly over the appliance ①, above the cabinet and below the ceiling ② or through a vent installed in a soffit ③.

The cabinet height as specified at 80" (2032 mm) will create a 1-5/16" (33 mm) gap above the appliance providing optimal air flow over the top of the appliance for its efficient operation. To have the same air flow for CS 1400 appliances, the cabinet opening height must be 73-3/4" minimum.

Be sure to consider the possibility of having to raise some of the leveling legs in order to level the appliance when installing. If you adjust the height of the appliance - it will effectively reduce air flow. Therefore leave yourself some room for adjustment.

IMPORTANT

The section below the freezer door and the floor must not be covered.



The refrigerator is designed to allow proper air flow when the appliance is installed up against the wall. A minimum space of 1 1/2" is required when a cabinet is built above.