

CS 1400 Premium NoFrost

30" Freestanding or Semi Built-in Refrigerator & Freezer

When the kitchen space calls for 30", the **CS 1400** answers. Less than 74 inches tall this stainless steel model fits where others do not. The beautiful exterior with ergonomic handles, beveled corners and the easy-to-clean new SmartSteel material is scratch resistant and makes fingerprints virtually disappear.



**Ergonomic
Lever Handle**



Clear Drawer

Capacity	
Total	396 liters / 14.0 cu. ft.
Refrigerator Compartment	312 liters / 11.0 cu. ft.
Freezer Compartment	84 liters / 3.0 cu. ft.
Energy Star	Yes
Energy consumption per year	414 KWH/Y
Estimated yearly Energy Cost	\$50 USD *
Climate rating	SN-T 10°C to 43°C(50°F to 110°F)
Power	115v at 60hz 2.5 amps/300 watt
Shipping Weight	115 kg / 253 lbs.
Refrigerator Compartment	
Stainless Steel Door	Right Hand, Reversible
Interior light	Top
Forced air fan system	Quiet DC fan
Gallon storage door shelf	Yes
Adjustable Glass Door shelves	3
Glass Shelves Adjustable	4
Crisper	1 Clear Plastic
Freezer compartment	
Bins	2 Clear Plastic
*Your Energy Costs will depend on your utility rates and use. Estimated energy cost based on a national average electricity cost of 12 cents per KWh.	

Cabinet Opening Dimensions

The appliance can be used freestanding or semi built-in.
If semi built-in, please consider the cabinet opening dimensions.

Unit Dimensions CS 1400

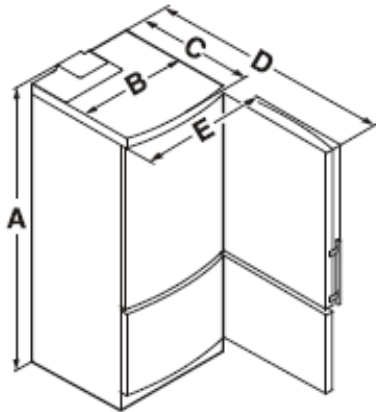
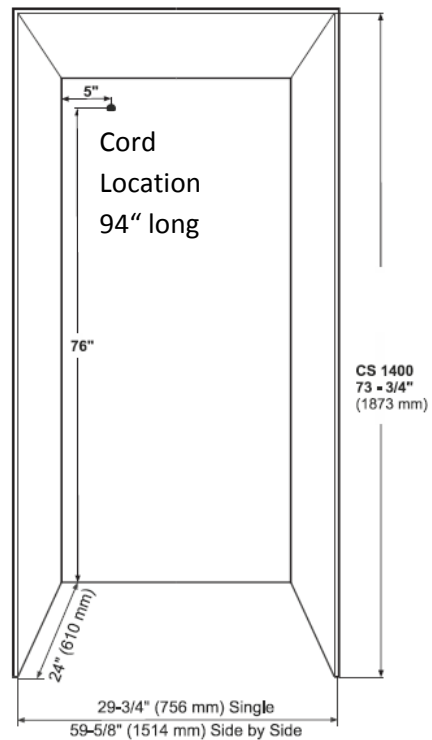


Figure 2

- A = 73-1/4" (1860 mm)
- B = 29-3/8" (747 mm)
- C = 24-13/16" (630 mm)
- D = 52-3/8" (1330 mm)
- E = 31-3/32" (790 mm)

Overall height of the appliance can be increased by a maximum of 5/8" (see Leveling the appliance).



Ventilation Requirements

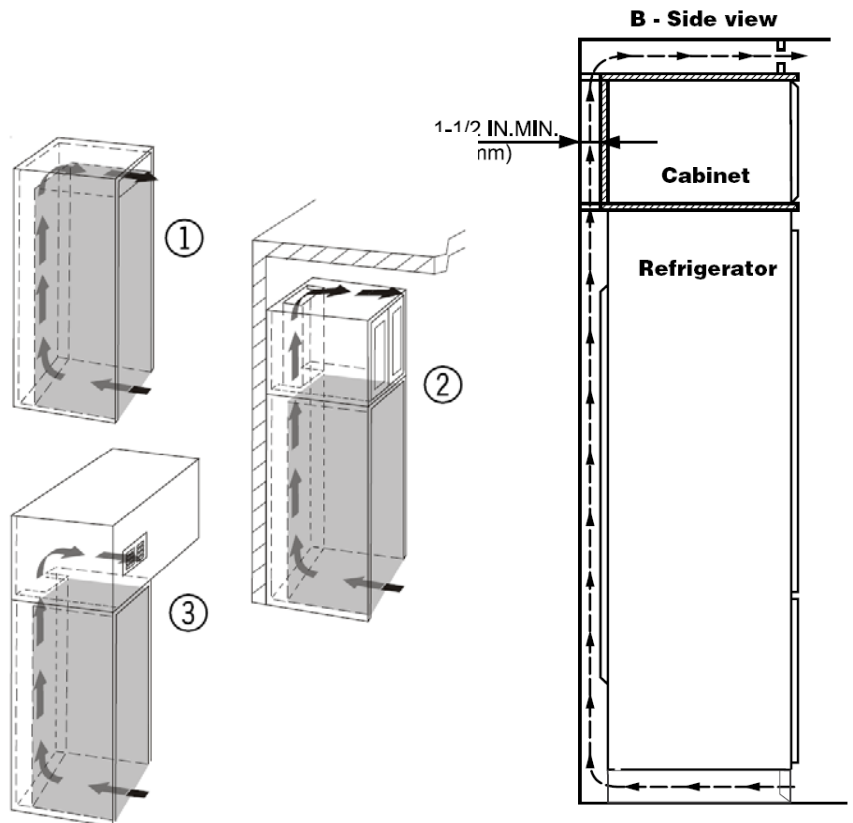
DO NOT restrict the air flow. The opening can either be directly over the appliance ①, above the cabinet and below the ceiling ② or through a vent installed in a soffit ③.

The cabinet height as specified at 80" (2032 mm) will create a 1-5/16" (33 mm) gap above the appliance providing optimal air flow over the top of the appliance for its efficient operation. To have the same air flow for CS 1400 appliances, the cabinet opening height must be 73-3/4" minimum.

Be sure to consider the possibility of having to raise some of the leveling legs in order to level the appliance when installing. If you adjust the height of the appliance - it will effectively reduce air flow. Therefore leave yourself some room for adjustment.

IMPORTANT

The section below the freezer door and the floor must not be covered.



The refrigerator is designed to allow proper air flow when the appliance is installed up against the wall. A minimum space of 1 1/2" is required when a cabinet is built above.