

LIEBHERR

Use and Care Manual

For NoFrost Combined
Refrigerator-Freezers

Manuel d'utilisation et d'entretien

Pour les combinés
réfrigérateur-congérateur

NoFrost

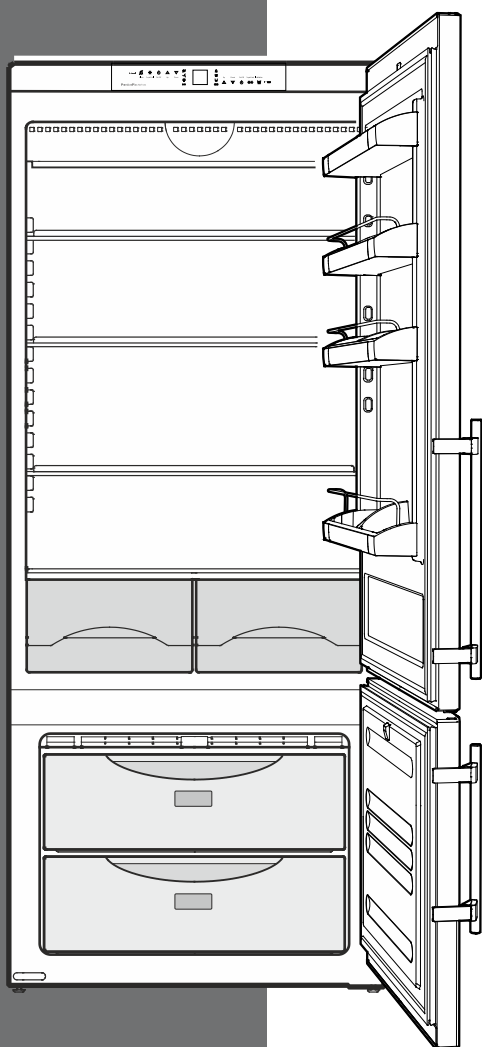
Page 21

Instrucciones de manejo y de mantenimiento

Para combinados
frigorífico-congelador

NoFrost

Página 41



CS 1400
7084 355-00

TABLE OF CONTENTS

Additional benefits

- CFC-free
- Energy-optimized refrigerant circuit
- Energy-efficient insulation
- Low energy consumption

- User-friendly electronic controls
- Display of functions switched on
- Temperature can be controlled within climate rating range, regardless of room temperature
- Refrigerator and freezer compartments defrost automatically - no need to spend time defrosting

- Big net refrigerator capacity
- Variable and practical features
- Safety-glass storage shelves
- Big net freezer capacity

- Freezer temperature increase alarm
- Audible door open alarm
- Power failure/FrostControl display
- Fresh food can be fast-frozen as required
- All drawers suitable for fast freezing

- Integrated transport grips on appliance housing
- Transport castors

- Easy to clean

- This unit is certified as Sabbath compliant by the Star-K organization, thus allowing the appliance to be used during religious holidays. For more information please visit Star-K on the web at www.star-k.org.

Contents	Page
Safety	3
Disposal of old appliance.....	3
Disposal of carton.....	3
Important safety information.....	4
Electrical safety.....	4
Safety regulations	5
Unit dimensions	5
Features	6
Description of appliance and equipment	6
Operating and control elements	7
Operation.....	8
Turning the appliance on and off.....	8
Setting the temperature	8
Temperature display.....	9
Ventilation.....	9
Audible alarm signal	9
Power failure/FrostControl display	9
SuperCool	10
Setup mode.....	10 - 12
Refrigerator compartment.....	13
Arranging food.....	13
Equipment.....	13
Interior light	14
Freezer compartment.....	16
Freezing	16
Freezing with SuperFrost.....	16
Freezing and storage	16
Defrosting.....	16
Cleaning/Vacation	17
Cleaning	17
Vacation tips.....	17
Troubleshooting.....	18
Customer service.....	19
Appliance information	19
Liebherr Warranty Plan	20

IMPORTANT

All types and models are subject to continuous improvement. The manufacturer reserves the right to make modifications to the shape, equipment and technology.

Please read and follow these instructions

These instructions contain Warning and Caution statements. This information is important for safe and efficient installation and operation.

Always read and follow all Warning and Caution statements!

DANGER

Danger indicates a hazard which will cause serious injury or death if precautions are not followed.

WARNING

Warning indicates a potentially hazardous situation which, if not avoided, could result in death or serious injury.

CAUTION

Caution indicates a potentially hazardous situation which, if not avoided, may result in minor or moderate injury.

IMPORTANT

This highlights information that is especially relevant to a problem-free installation and operation.

Make sure incoming voltage is the same as the appliance rating.

To reduce the risk of fire, electric shock, or personal injury, installation work and electrical wiring must be done by a qualified electrician in accordance with all applicable codes and standards, including fire-rated construction.

Disposal of Old Appliance

DANGER!

Risk of child entrapment. Before you discard your old refrigerator or freezer:

- **Be sure to follow your local requirements for disposal of appliances. Discarded appliances can be dangerous.**
- **Remove the doors.**
- **Remove the freezer drawers.**
- **Leave the shelves in place so that children may not easily climb inside.**
- **Cut off the power cable from the discarded refrigerator. Discard separately from the refrigerator.**

Following these instructions reduces the possibility of causing personal injury, especially to children playing.

Contact the trash collection agency in your area for additional information.

Disposal of Carton

The packaging is designed to protect the appliance and individual components during moving and is made of recyclable materials.

WARNING!

Keep packaging materials away from children. Polythene sheets and bags can cause suffocation!

- **Please take the packaging material to your local recycling facility.**

SAFETY

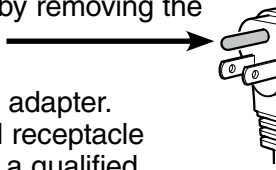
Important Safety Information

- To prevent injury to you or damage to the unit, the appliance should be unpacked and set up by two people.
- If the appliance is damaged on delivery, contact the supplier immediately before connecting to the power source.
- To guarantee safe operation, ensure that the appliance is set up and connected as described in these operating instructions.
- Disconnect the appliance from the power source if a fault occurs. Pull out the plug, turn off or remove the fuse.
- When disconnecting the appliance, use the plug. Do not pull on the cable.
- Any repairs and work on the appliance should only be carried out by the customer service department. Unauthorized work may be dangerous to the user. Changing the power source cable should only be done by the customer service department.
- Do not eat ice cream, particularly ice cream treats, or ice cubes, immediately from the freezer compartment. There is a risk of “burning” because of the very cold temperatures.
- Do not consume food which has been stored for too long; it could cause food poisoning.
- The appliance is designed for cooling, freezing and storage of food, and for making ice. It is intended for domestic use.
- Do not store explosives or sprays using combustible propellants such as butane, propane, pentane, etc. in the appliance. Electrical components might cause leaking gas to ignite. You may identify such sprays by the printed contents or a flame symbol.
- Do not use electrical appliances inside the appliance.
- To prevent possible injury due to an electrical shock, be sure to disconnect the power cord or turn off the circuit breaker before cleaning the appliance.
- To avoid injury or damage to the appliance, do not use steam cleaning equipment to clean the appliance.
- Do not operate the appliance in the presence of explosive fumes.
- In the event of a power outage, minimize opening the appliance door(s). Protect the food either by placing dry ice on top of the packages or using a local frozen food locker if the power failure is of a long duration. Do not attempt to re-freeze any previously frozen food that has thawed.
- To avoid possible injury, only adjust an empty shelf. Do not attempt to adjust a shelf with food on it.
- To protect the appliance from possible damage, allow the appliance to stand 1/2 to 1 hour in place before turning the electricity on. This allows the refrigerant and system lubrication to reach equilibrium.

Electrical Safety

Connect this appliance to a 110-120 V AC, 15 amp circuit that is controlled by a circuit breaker or fuse. This appliance should have its own separate grounded circuit. Do not use an extension cord.

The power cord is equipped with a three-prong (grounding) plug for your protection against possible shock hazards. To maintain this protection:

- Do not modify the plug by removing the round grounding prong. 
- Do not use a two-prong adapter. Where a two-prong wall receptacle is encountered, contact a qualified electrician and have it replaced with a three-prong receptacle in accordance with all local codes and ordinances.
- Do not use a power cord that is frayed or damaged.

Safety Regulations

The appliance complies with UL 250 / CSA C22.2 #63 and is designed to cool, freeze and store food and to make ice (if equipped). It is designed as a household appliance.

The appliance is set to operate within specific ambient temperature limits according to its climate rating. These temperature limits should not be exceeded. The correct climate rating for your appliance is indicated on the model plate.

This is explained as follows:

Climate Rating	Set for Ambient Temperatures of
SN	50°F to 90°F (10°C to 32°C)
N	61°F to 90°F (16°C to 32°C)
ST	61°F to 100°F (16°C to 38°C)
SN-ST	50°F to 100°F (10°C to 38°C)
SN-T	50°F to 109°F (10°C to 43°C)
T	61°F to 109°F (16°C to 43°C)

We recommend cleaning the appliance before turning it on for the first time. See **Cleaning**. Turn on the appliance several hours before loading it with frozen food for the first time. Do not load with frozen food until the temperature shows approximately 0°F (-18°C).

⚠ WARNING!

Do not allow children to play with the appliance. Children must not climb, sit or stand on the appliance drawers. Failure to follow these instructions may result in death or serious injury.

⚠ CAUTION!

To avoid risk of personal injury or property damage, have two people unpack and move this appliance into place.

⚠ CAUTION!

Protect the finished floor surface before you uncrate the unit.

Avoid placing the appliance in direct sunlight or near the stove, range top, radiators and similar heat sources. Do not place microwave ovens, toaster ovens or other heat-emitting appliances on top of this unit.

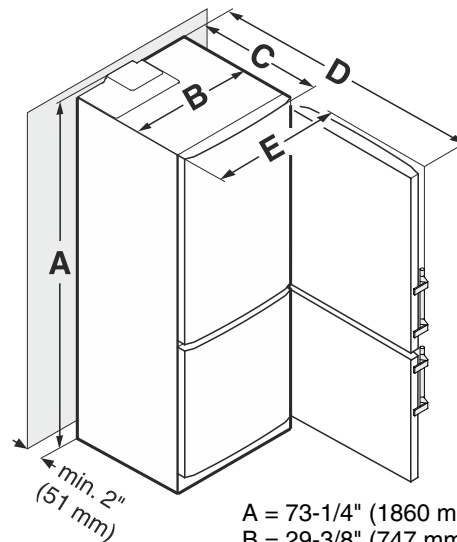
Keep the appliance out of the weather.

The ventilation grilles should not be obstructed. Always ensure there is good ventilation all around the appliance.

As soon as you uncrate the unit:

- Examine the unit and packaging for shipping damage. Contact the carrier immediately if you suspect there is any damage.
- Note the type (model number), index, serial number, date of purchase and where purchased on the spaces provided in the back of this manual.

Unit Dimensions



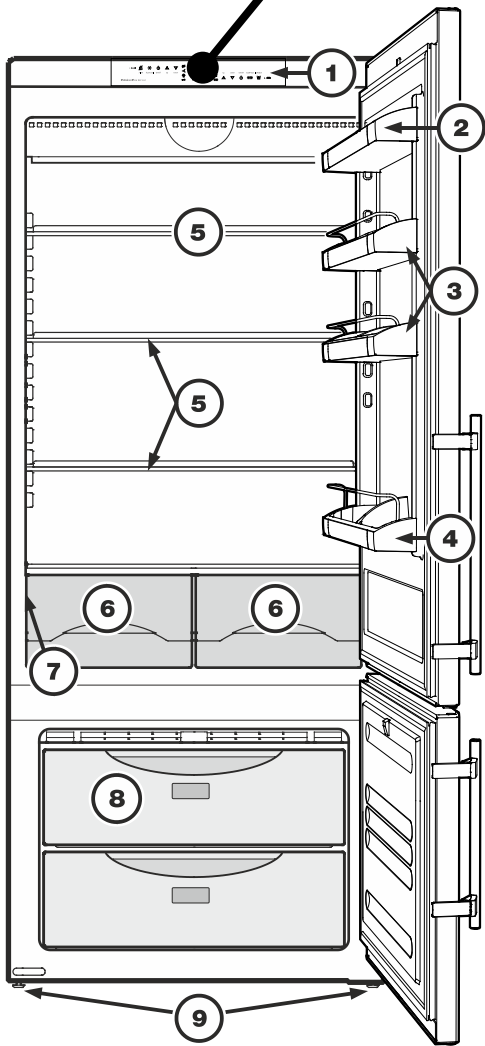
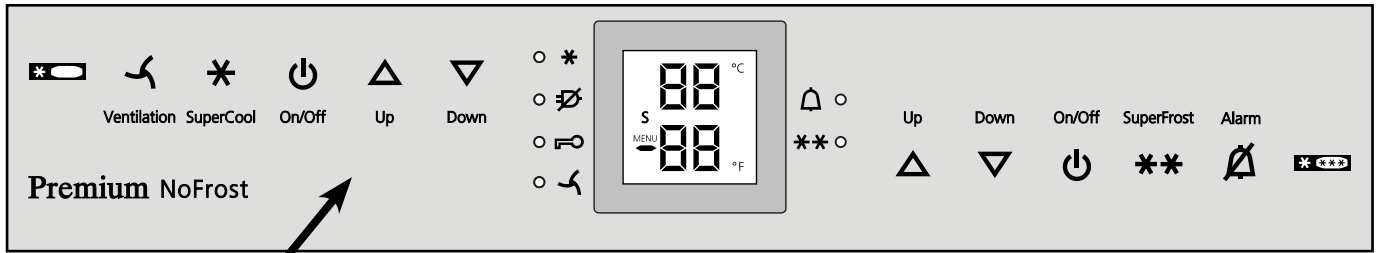
A =	73-1/4" (1860 mm)
B =	29-3/8" (747 mm)
C =	24-13/16" (630 mm)
D =	52-3/8" (1330 mm)
E =	31-3/32" (790 mm)

NOTE

If the gap between the rear of the appliance and the wall is less than 2 inch (51 mm), the power consumption level may increase.

FEATURES

Description of Appliance and Equipment - Figure 1



Description of refrigerator

- (1) Operating and control elements
- (2) Door rack
- (3) Adjustable door racks
- (4) Gallon rack
- (5) Adjustable shelves
- (6) Vegetable drawers
- (7) Model plate (behind the vegetable drawer on the left hand side)


Description of freezer

- (8) Freezer drawers
- (9) Adjustable-height feet

Figure 1

Operating and Control Elements - Figure 2, Figure 3

The electronic control panel has the new “*Touch capacitance technology*”. Any function can be activated by a fingertip on the symbol of the operating icons.

The exact contact point is between the symbol and its label 

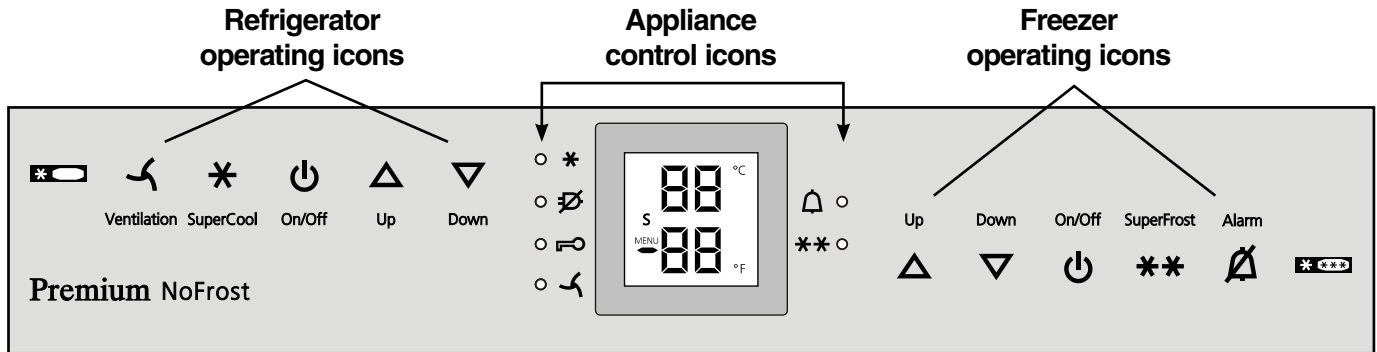










Figure 6






Refrigerator operating icons

-  Ventilation (circulation) On/Off
-  SuperCool
-  Refrigerator On/Off
-  Temperature Up control (to increase the refrigerator temperature)
-  Temperature Down control (to reduce the refrigerator temperature)

Appliance control icons

-  Power failure LED
-  SuperCool LED
-  Child lock LED
-  Alarm LED
-  SuperFrost LED
-  Ventilation ON LED

Freezer operating icons

-  Temperature Up control (to increase the freezer temperature)
-  Temperature Down control (to reduce the freezer temperature)
-  Freezer On/Off
-  SuperFrost
-  Alarm mute (refrigerator and freezer)

Temperature and control display

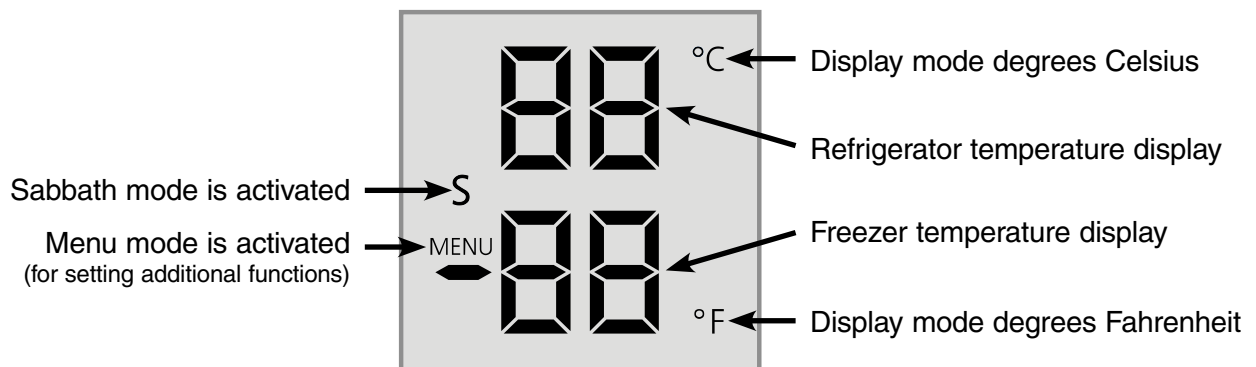


Figure 3

OPERATION

Turning the Appliance On and Off - Figure 4

Clean the appliance before turning it on for the first time. See **Cleaning**.

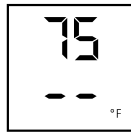
Do not place frozen food in the freezer until the temperature shows at least 0°F / -18°C. The refrigerator and freezer compartments can be operated separately.

1. Turning on:

Touch the Refrigerator On/Off icon

and the Freezer On/Off icon

so the temperature displays light up.



The interior light will turn on when the refrigerator door is open.

2. **Turning off:** to turn off the refrigerator or freezer, touch the corresponding On/Off icon for approximately 3 seconds so the temperature display and interior lights go out.

Setting the Temperature - Figure 4

The appliance is pre-set for normal operation. We recommend temperatures of 38°F (3°C) in the refrigerator and 0°F (-18°C) in the freezer.

To reduce the temperature:

Touch the DOWN icon on the left to reduce the refrigerator temperature

and the DOWN icon on the right to reduce the freezer temperature.

To increase the temperature:

Touch the UP icon on the left to increase the refrigerator temperature

and on the right to increase the freezer temperature.

1. While you are entering the temperature, **the set temperature will flash** on the display.
2. When you touch the temperature setting icons for the first time, the most recent setting is displayed.
3. You can change the settings in increments of 1°F (1°C) by briefly touching the icons again. If the icons are held, the temperature setting will change faster.
4. Approximately five seconds after the icon has been released, the display will automatically show the actual freezing or cooling temperature.
5. You can change the temperatures:
 - **In the refrigerator** – between 36°F and 44°F (2°C and 7°C) and
 - **In the freezer** – between -15°F and 6°F (-26°C and -14°C).

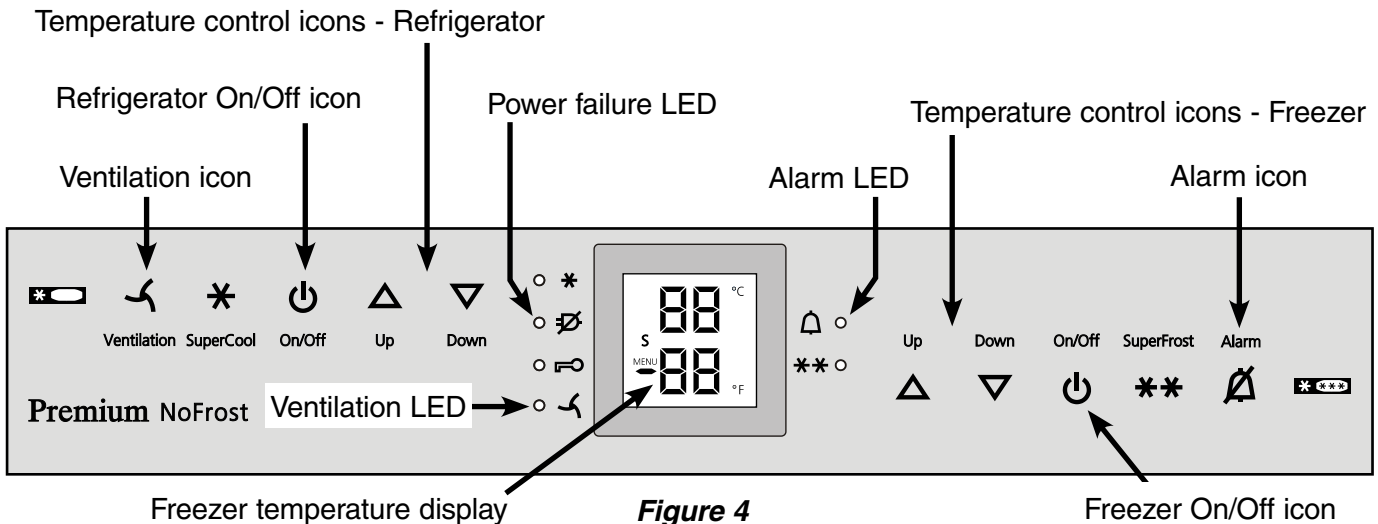


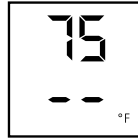
Figure 4

Temperature Display - Figure 4

In normal operation, the following settings will be displayed:

- the average refrigerator temperature
- the warmest frozen food temperature.

When starting up for the first time or when the appliance is warm, dashes will appear in the freezer temperature display, until the temperature in the freezer compartment is 32°F (0°C).



The display will flash:

- if you change the temperature or
- if the temperature rises by several degrees, indicating cold loss, e.g. if you place fresh, “warm” food in the freezer or if you remove or repack frozen food, the temperature may rise for a short time due to warm air flowing into the freezer.
- If “F1” to “F5” appears in the display, the appliance has a fault. Have the fault number available when you contact the customer service department.

Ventilation - Figure 4

The Ventilation switch is used for re-circulated cool air:


You can use the switch as required to:

- chill large quantities of fresh food fast.
- keep the temperature evenly distributed throughout the entire refrigerator compartment. The air will circulate more intensively, keeping all the different areas in the compartment at the same temperature and ensuring all the food inside is chilled at the same temperature.

We recommend you use the ventilation fan if:

- room temperatures are too high (approximately 95°F [35°C] or higher).
- the air humidity is high, during high heat and humidity.

Turning on: touch the Ventilation icon briefly so the LED  turns on.

Turning off: touch the Ventilation icon again until the LED  turns off.

Audible Alarm Signal - Figure 4


The audible alarm signal helps to protect frozen food and to save energy.

The audible alarm signal is switched off by touching the alarm icon.

Audible door alarm

This sounds when the door has been left open for longer than about 180 seconds. The sound switch-off function is active as long as the door is left open. The alarm automatically switches back to standby when the door is shut.

Audible/visual temperature alarm

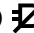
It always sounds if the freezer temperature is not low enough. The *temperature display and the alarm LED*  *flash* at the same time.

This can be caused by:

- warm, fresh food being placed in the freezer,
- too much warm air from the outside entering when re-arranging or removing frozen food,
- a fault in the appliance.

The temperature display will continue to *flash* until the cause of the alarm has been rectified. It will then stop flashing and light up continually. The audible warning signal is now automatically *reset*.

Power Failure/FrostControl Display - Figure 4

If the power failure LED  is lit, this means the freezer temperature has risen too **high** during the last few hours or days due to a power failure. The freezer temperature display flashes at the same time.

- If you touch the **Alarm** icon now, the highest temperature registered during the power failure will be displayed.
- Check the quality of the food in case it has become too warm or even defrosted.
- The highest temperature will appear for approximately one minute. After that, the actual temperature in the freezer will reappear.

The display can be turned off by touching the **Alarm** icon again.

OPERATION

SuperCool - Figure 5

Touching the SuperCool icon switches the refrigerator compartment to maximum cooling. It is recommended particularly if you wish to cool large quantities of food, drinks, freshly baked goods or meals rapidly.

- **Turning on:** touch the SuperCool icon briefly so the LED ✱ turns on. The refrigerator temperature will drop to its lowest value.

IMPORTANT

The SuperCool function uses slightly more energy. After approximately six hours, however, the refrigerator switches back automatically to normal energy-saving operation. If required, the SuperCool function can be turned off sooner.

- **Turning off:** touch the SuperCool icon again until the LED ✱ turns off.

Setup Mode - Figure 5

In the setup mode, you can activate the following functions:

- ☰ = Sabbath mode
- h = Display brightness
- = Temperature display mode
- ☒ = Child lock

How to activate the setup mode:

- Touch the **SuperFrost** icon for approximately five seconds.
 - The **SuperFrost LED ✱✱** turns on for 5 seconds.
 - After 5 seconds ☒ will flash in the display.

The appliance is in the setup mode now.

You can select the setup mode functions by touching the freezer compartment **Up/Down** icons.

Note

In the setup mode, the display will flash continuously.

Exit setup mode:

- Touch the freezer compartment **On/Off** icon. The appliance will change back to normal operation.

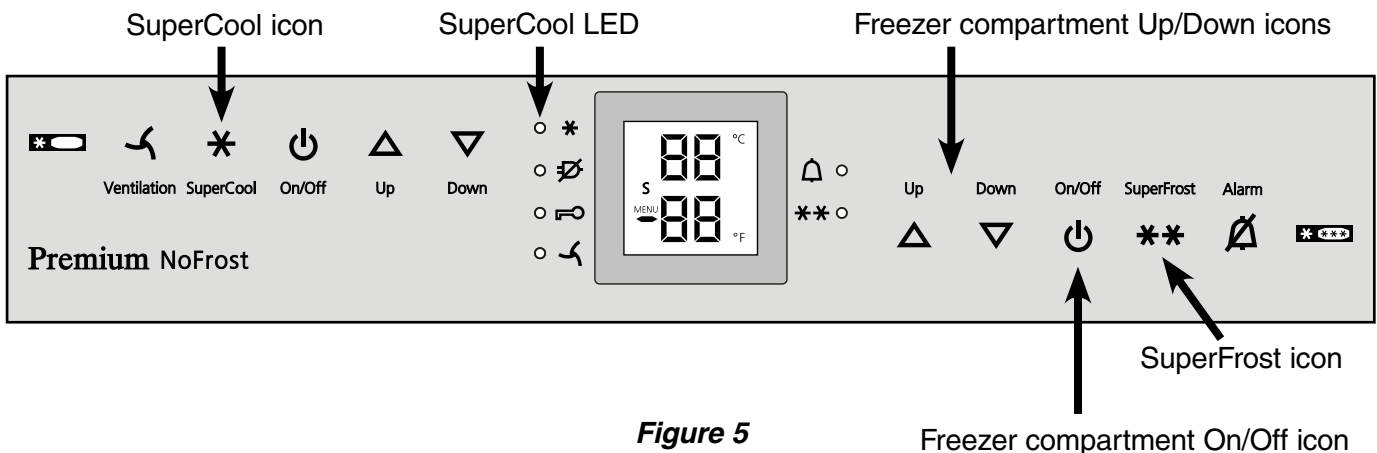


Figure 5



☸ = Sabbath mode

This feature considers the Religious requirements on Sabbath or Holidays. When the Sabbath mode is active some functions of the electronic controls are switched off.

The door can be opened and closed at any time.


- The lighting remains off.
- The cooling fan remains in its actual state: If it is on it remains on, if it is off it remains off.
- There is no door alarm.
- There is no temperature alarm.
- Defrost cycles are independent of the number of times and length of door openings.
- The unit will return into Sabbath Mode after a power failure.

How to activate the Sabbath mode

- Activate the setup mode by touching the **SuperFrost** icon for 5 seconds.
 - the display shows ☸
- Touch the **SuperFrost** icon
 - the display shows 
- Touch the **SuperFrost** icon again
 - the display shows 
 - the Sabbath mode is activated.
- Exit setup mode by touching the freezer compartment **On/Off** icon.


Sabbath mode switches off automatically after 120 hours if it is not manually switched off beforehand.

How to deactivate the Sabbath mode

- Activate the setup mode by touching the **SuperFrost** icon for 5 seconds.
 - the display shows ☸
- Touch the **SuperFrost** icon
 - the display shows 
- Touch the **SuperFrost** icon again
 - the ☸ symbol in the display disappears, the Sabbath mode is deactivated.
- Exit setup mode by touching the freezer compartment **On/Off** icon.

h = Display brightness

How to adjust the display brightness

- Activate the setup mode by touching the **SuperFrost** icon for 5 seconds.
- Touch the **freezer compartment Down** icon until h appears in the freezer temperature display.
- Touch the **SuperFrost** icon
 - the display shows 
- Touch **freezer compartment Up/Down** icons to select
 - h 0 = minimum to
 - h 5 = maximum brightness
- Touch the **SuperFrost** icon at the desired value.
- Exit setup mode by touching the freezer compartment **On/Off** icon.


☐ = Temperature display mode

You can choose the **unit of temperature** for the display in degrees Fahrenheit or degrees Celsius.

Note

The factory setting is degrees Fahrenheit.

How to change the temperature display to degrees Celsius

- Activate the setup mode by touching the **SuperFrost** icon for 5 seconds.
- Touch the **freezer compartment Down** icon until ☐ appears in the freezer temperature display.
- Touch the **SuperFrost** icon
 - the display shows 
- Touch the **SuperFrost** icon again
 - the temperature reading is now displayed in degree Celsius.
- Exit setup mode by touching the freezer compartment **On/Off** icon.

Note

To change the temperature display back to degrees Fahrenheit, follow the steps above.



OPERATION

Setup Mode - Figure 6



☒ = Child lock

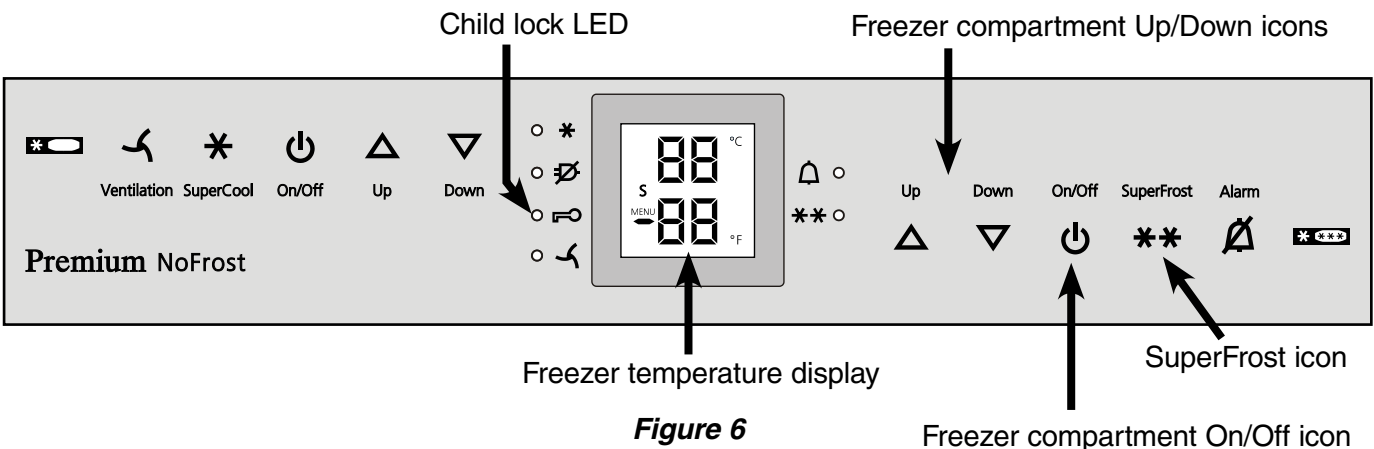
The child lock is designed to protect the appliance from being turned off accidentally.

How to activate the child lock

- Activate the setup mode by touching the **SuperFrost** icon for 5 seconds.
- Touch the **freezer compartment Down** icon until ☒ appears in the freezer temperature display.
- Touch the **SuperFrost** icon
 - the display shows 
- Touch the **SuperFrost** icon again
 - the LED  is lit and the child lock is activated.
- Exit setup mode by touching the freezer compartment **On/Off** icon.

How to deactivate the child lock

- Activate the setup mode by touching the **SuperFrost** icon for 5 seconds.
- Touch the **freezer compartment Down** icon until ☒ appears in the freezer temperature display.
- Touch the **SuperFrost** icon
 - the display shows 
- Touch the **SuperFrost** icon again
 - the LED  goes out. The child lock is deactivated.
- Exit setup mode by touching the freezer compartment **On/Off** icon.



REFRIGERATOR COMPARTMENT

Arranging Food - Figure 7

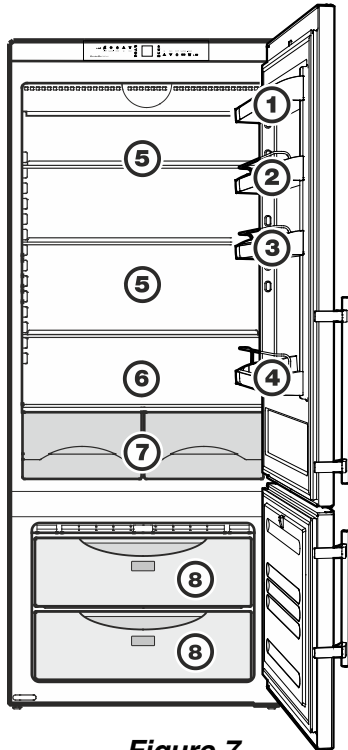


Figure 7

- (1) Butter, cheese
- (2) Eggs
- (3) Cans, drinks
- (4) Gallon containers, bottles
- (5) Meat and sausage products, dairy products
- (6) Baked goods, pre-cooked meals
- (7) Fruit, vegetables, salad
- (8) Frozen food

IMPORTANT

- Liquids and food which give off or absorb odors and flavors should always be stored covered or in closed containers.
- High-percentage alcohols should be tightly sealed and stored upright.
- Fruit, vegetables and salad can be stored unpacked in the bins.

Equipment



To avoid possible injury, only adjust an empty shelf or door rack. Do not attempt to adjust a shelf or door rack with food on it.

You can rearrange the height of the shelves and door racks as required.

Repositioning the door racks - Figure 8

Slide the door rack up, pull out toward you and replace in reverse order.

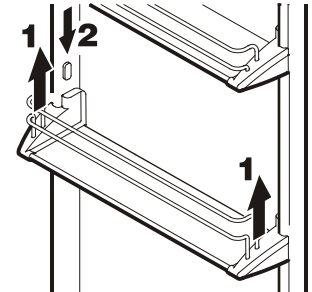


Figure 8

Repositioning the shelves - Figure 9

1. Hold the shelf underneath with your hand to avoid from tipping down backwards when removing.
2. Lift the shelf at the front.
3. Remove the shelf forward until the circular cutout of the shelf is in line with the front supports.
4. Lift the shelf up or down and replace in the desired position.

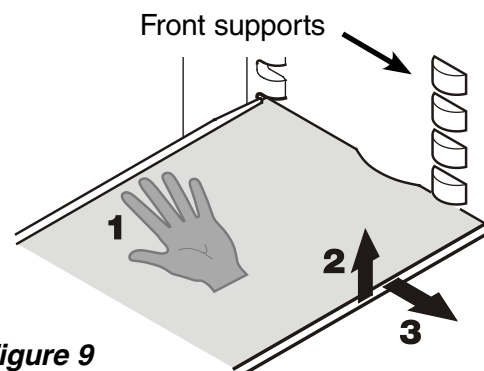


Figure 9

REFRIGERATOR COMPARTMENT

Removing the shelves - Figure 10

1. Follow the first three steps in the chapter above.
2. Lift the shelf down and stop just over the upper vegetable bin.
3. Move the front of the shelf upwards until the shelf is in a vertical position.
4. Turn the shelf counterclockwise and remove.

⚠ WARNING

To avoid it falling down, always hold the shelf with both hands when removing.

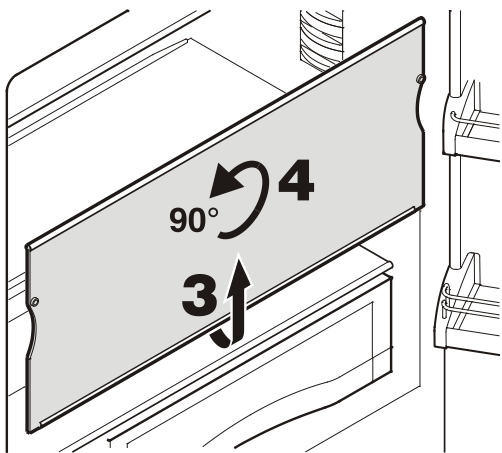


Figure 10

Interior Light

This turns off automatically after the door has been opened for approximately 15 minutes.

If it does not turn on when the door is opened briefly, but the temperature display is working, the lamp(s) may be defective.

The light is located behind the cover located at the top of the refrigerator compartment and has two lamps.

IMPORTANT

Only original LED lamps from the appliance manufacturer may be used.

The lamp can be purchased from the customer service department or specialist dealers.

⚠ WARNING!

When using LED lamps made by other manufacturers, there is a risk of overheating or fire.

Replacing the lamp:

⚠ WARNING!

To prevent possible injury due to an electrical shock, be sure to disconnect the power cord or turn off the circuit breaker before replacing the lamp(s).

⚠ CAUTION!

To prevent possible injury due to broken glass, use hand protection when replacing the lamp(s).

REFRIGERATOR COMPARTMENT

1. Unlatch carefully the cover at left, middle and right using a screwdriver - **Fig. 11**.

Remove the cover.

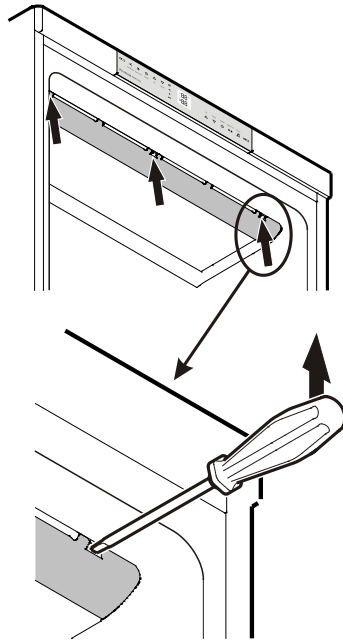


Figure 11

2. Remove the glass plate - **Fig. 12**.

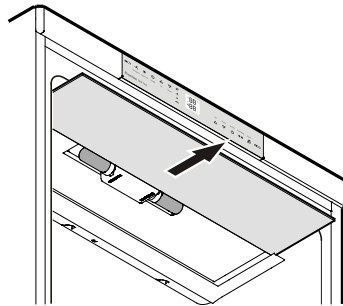


Figure 12

3. Remove the defective lamp. Make sure the seal (**Fig. 13**) is placed on the new lamp before installing it.
4. Install glass plate and cover.

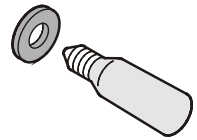


Figure 13

IMPORTANT

The glass plate must be inserted to the back completely, otherwise it is not possible to click the cover into place correctly.

FREEZER COMPARTMENT

Freezing

Fresh food should be frozen completely and as rapidly as possible. This is provided by the SuperFrost feature and ensures that the nutritional value, appearance and flavor of the food remains intact.

Freezing with SuperFrost - Figure 14

- Touch the **SuperFrost** icon briefly so the LED ****** turns on.
- Wait 24 hours.
- Then place the fresh food inside the freezer.
- The SuperFrost function turns off automatically. Depending on the quantity of food placed in the freezer, this will normally be between 30 and maximum 65 hours.

The freezing process is now complete; the SuperFrost LED ****** will turn off, and the freezer will change back to normal energy-saving operation.

IMPORTANT

You should not turn on the SuperFrost function:

- when placing frozen food in the freezer;
- when freezing up to approximately 4-1/2 lbs (2 kg) fresh food daily.

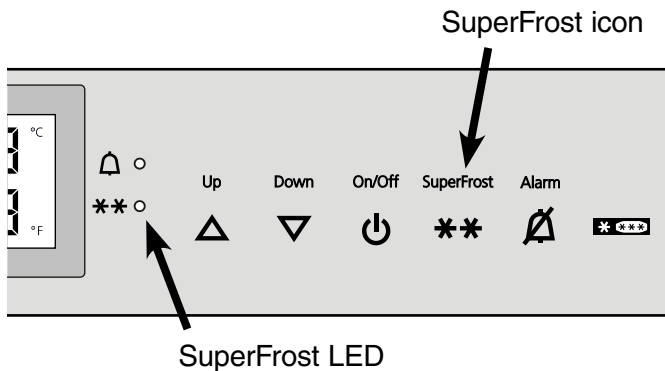


Figure 14

Freezing and Storage

- Pack frozen food in standard freezer bags or reusable plastic, metal or aluminum containers.
- Do not allow fresh food which is to be frozen to come into contact with food already frozen. Always keep packages dry in order to avoid them sticking together.
- Always write the date and contents on the package and do not exceed the stated storage time for the food. This prevents spoiling.
- Pack food which you are freezing yourself in quantities right for your household. To ensure the food freezes right through quickly, the following quantities should not be exceeded per package:
 - fruit, vegetables: up to 2-1/4 lbs (1 kg);
 - meat: up to 5-1/2 lbs (2.5 kg).
- Do not freeze bottles and cans which contain carbonated drinks as they might burst. Drinks can be cooled down quickly, but take the bottles out of the freezer compartment after an hour at the most.
- Only take out as much food as needed for thawing. Cook food which has been thawed as quickly as possible. Frozen food can be thawed in the following ways:
 - in a microwave oven
 - in the refrigerator: the safer way to thaw food because there is less chance of bacteria growth. Use this method for high density food such as roasts or poultry.

Defrosting

Refrigerator compartment:

The refrigerator compartment defrosts automatically. The water that forms on the rear wall drains into a reservoir at the back of the appliance and evaporates automatically through the compressor heat.

Freezer compartment:

The NoFrost system automatically defrosts the freezer compartment. Any moisture will collect on the evaporator and freeze. It will periodically defrost and evaporate.

Cleaning



WARNING

- To prevent possible injury due to an electrical shock, be sure to disconnect the power cord or turn off the circuit breaker before cleaning the appliance.
- To avoid injury or damage, do not use steam cleaning equipment to clean the appliance.
- To avoid short-circuits, ensure no cleaning water penetrates into the electrical components when cleaning the appliance. Do not use a sponge or cloth that is overly wet.
- Clean the side panels and door surfaces with a clean and soft cloth. If necessary, use a moist cloth (water + detergent). Alternatively, use a micro-fibre cloth.

Do not use abrasive or scouring sponges. **Do not** use concentrated cleaning agents. **NEVER** use abrasive or acid cleaners or chemical solvents.

- Remove all food from the refrigerator and freezer compartments and store in a cool place temporarily. Store frozen food in other freezers if available.
- Remove the door racks as shown in *Figure 8*.
- Remove glass shelves as shown in *Figure 9-10*.
- Remove vegetable drawers.
- Clean the equipment parts by hand with lukewarm water and dishwasher detergent.



CAUTION

Do not clean the equipment parts in a dishwasher. Strips of these parts could get loose.

- Clean the refrigerator and freezer drawers' interior with lukewarm water and dishwasher detergent.

- Clean the drain opening.

Remove deposits using a thin instrument, e. g. a cotton bud (*Figure 15*).

IMPORTANT

Water will overflow into the refrigerator compartment if the drain becomes plugged.

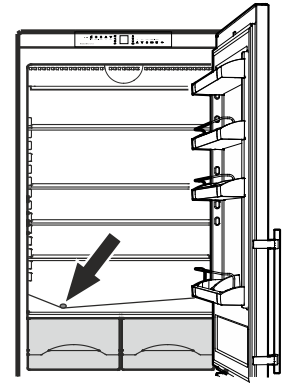


Figure 15

- Dry all parts well with a cloth.
- **Do not** damage or remove the model plate on the inside of the appliance. It is very important for servicing your appliance.

Vacation Tips

Short vacations:

It is not necessary to turn off the refrigerator and freezer if you will be away for less than four weeks.

- Use all perishables.
- Freeze other items.

Long vacations:

If you will be away for a month or more:

- Remove all food from the refrigerator and freezer compartments.
- Turn off the refrigerator and freezer compartments.
- Clean the appliance. Refer to **Cleaning**.
- Leave the door open to prevent unpleasant odors. This will also keep mold from building up.

TROUBLESHOOTING

If a problem occurs during operation, check whether it is due to an operating error.

Please note that even during the warranty period, some repair costs may be your responsibility. You may be able to correct the following faults by checking the possible causes yourself:

Problem	Possible Cause and Remedy
Appliance does not work, display is off	<ul style="list-style-type: none"> - Is the appliance turned on properly? - Is the power cord properly inserted in the outlet? - Is the circuit breaker or fuse in operating condition?
The interior light does not come on	<ul style="list-style-type: none"> - Is the refrigerator compartment turned on? - Has the door been open for more than 15 minutes?
Loud running noise	<ul style="list-style-type: none"> - Is the appliance standing firmly on the floor, or does the compressor cause nearby items of furniture or objects to vibrate? If necessary, move the appliance slightly, align by adjusting the adjustable feet, or adjust bottles and containers.
Motor seems to run too long	<ul style="list-style-type: none"> - Is the ambient temperature too hot? See Safety Regulations. - Has the appliance been opened too often or left open too long? - A large amount of food has been added. - Unit is in SuperCool mode. Verify unit is in normal operation mode.
The temperature is not cold enough	<ul style="list-style-type: none"> - Is the temperature setting correct? See Setting the Temperature. - Has an excessive amount of fresh food been placed in the appliance? - Does a separately installed thermometer show the correct reading? - Is the ventilation system working properly? - Is the appliance set up too close to a heat source?
Freezer temperature display shows two dashes - -	<p>The freezer temperature display will only show temperatures that are below freezing. When initially starting the freezer it will not be below freezing. It will take three to five hours (depending on ambient conditions) for freezing temperatures to be achieved and thus displayed numerically. This may also occur after a power failure.</p>
Ice or water drops appear on the rear wall in the interior of the refrigerator compartment.	<p>This is completely normal. During the cooling process, the humidity in the refrigerator compartment will condense on the rear wall and freeze. During the compressor idle period, the ice layer will defrost. The condensate on the rear wall drains through the defrost water drain for evaporation.</p>

TROUBLESHOOTING

Customer Service - Figure 16

If none of the above causes apply and you cannot correct the fault yourself, this means there is a fault. Please contact your nearest customer service department (see enclosed list for addresses).

Give the **fault number displayed**, together with the **Type Designation** ①, **Service Number** ② and **Appliance / Serial Number** ③

as given on the model plate, to ensure prompt, accurate servicing. The model plate is located inside the appliance on the left-hand side.

Leave the appliance closed until the customer service engineer arrives to prevent any further cold loss.

Appliance Information

Record this information when the appliance is installed.

Type Designation: _____

Service Number: _____

Appliance / Serial Number: _____

Date of Purchase: _____

Where Purchased: _____

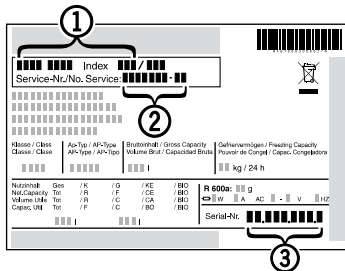


Figure 16

WARRANTY

LIEBHERR WARRANTY PLAN

FULL TWO YEAR WARRANTY

For two years from the date of original purchase, your Liebherr warranty covers all parts and labor to repair or replace any part of the product which proves to be defective in materials or workmanship.

FULL FIVE YEAR WARRANTY

For five years from the date of original purchase, your Liebherr warranty covers all parts and labor to repair or replace any components that prove to be defective in materials or workmanship in the sealed system. The "Sealed System" means only the compressor, condenser, evaporator, drier and all connecting tubing.

LIMITED 6TH THROUGH 12TH YEAR WARRANTY

From the 6th through 12th year from the date of original purchase, your Liebherr warranty covers all parts that prove to be defective in materials or workmanship in the Sealed System (parts only).

TERMS APPLICABLE TO EACH WARRANTY

All service provided by Liebherr under the warranty must be performed by authorized Liebherr service representatives, unless otherwise specified by Liebherr. Service will be provided in the home during normal business hours. This warranty applies only to products installed for normal residential use. Details regarding a non-residential warranty are available on request.

The warranty applies only to products installed in Canada and any one of the fifty states of the United States or the District of Columbia. This warranty does not cover any parts or labor to correct any defect caused by negligence, accident or improper use, maintenance, installation, service or repair, including but not limited to improper removal and reinstallation of the condensing unit.

THE WARRANTIES DESCRIBED ABOVE ARE MADE EXPRESSLY IN LIEU OF ANY OTHER WARRANTIES, EXPRESSED OR IMPLIED, INCLUDING ANY IMPLIED WARRANTY OF MERCHANTABILITY OR FITNESS FOR A PARTICULAR PURPOSE, AND OF ANY OTHER OBLIGATION OR LIABILITY ON THE PART OF LIEBHERR. IN NO EVENT SHALL LIEBHERR BE LIABLE FOR SPECIAL, INCIDENTAL OR CONSEQUENTIAL DAMAGES ARISING FROM THE BREACH OF THESE WARRANTIES OR ANY OTHER WARRANTIES, WHETHER EXPRESS, IMPLIED OR STATUTORY.

Some States do not allow the exclusion or limitation of incidental or consequential damages so the above limitation or exclusion may not apply to you. This warranty gives you specific legal rights and you may also have other rights which vary from State to State.

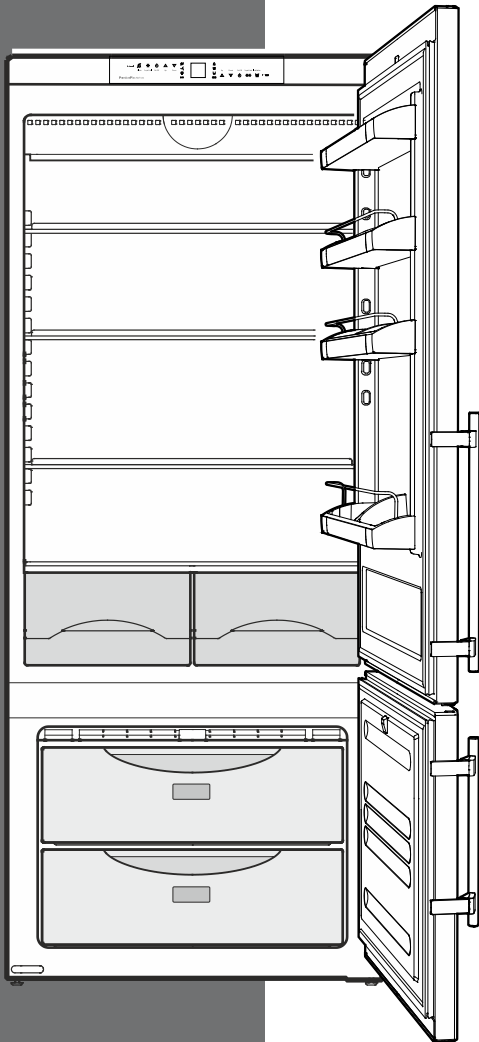
To receive parts and/or service and the name of the Liebherr authorized service representative nearest you, contact your Liebherr dealer or distributor or contact the Liebherr designated national service provider:

in the US: Service-appliances.us@liebherr.com, or call 1-866-LIEBHER or 1-866-543-2437
in Canada: www.euro-parts.ca, or call 1-888-LIEBHER, 1-888-543-2437.

LIEBHERR

Manuel d'utilisation et d'entretien

Pour les combinés réfrigérateur-
congélateur NoFrost



CS 1400
7084 355-00

TABLE DES MATIÈRES

Avantages supplémentaires

- Sans CFC
- Circuit réfrigérant optimisé par l'énergie
- Isolation efficace sur le plan énergétique
- Basse consommation d'énergie
- Commandes électroniques faciles à utiliser
- Affichage des fonctions en marche
- La température peut être contrôlée dans une certaine gamme de température, quelle que soit la température ambiante
- Les compartiments réfrigérateur et congélateur se dégivrent automatiquement - aucun besoin de passer du temps à dégivrer
- Grande capacité nette du réfrigérateur
- Fonctions variables et pratiques
- Étagères de rangement en verre trempé
- Grande capacité nette du congélateur
- Alarme d'augmentation de la température du congélateur
- Alarme de porte ouverte sonore
- Écran Panne de courant/FrostControl
- Les aliments frais peuvent être congelés rapidement si besoin est
- Tous les tiroirs sont adaptés à la congélation rapide
- Poignées de transport intégrées sur le boîtier de l'appareil
- Roulettes de transport
- Facile à nettoyer
- Cet appareil est certifié conforme aux normes de l'organisation Star-K pour le Sabbat. Il peut donc être utilisé durant les fêtes religieuses. Pour plus d'informations, veuillez consulter le site Star-K sur Internet : www.star-k.org.

Table des matières

	Page
Sécurité	23
Évacuation de votre ancien appareil	23
Évacuation du carton	23
Importante information sur la sécurité	24
La sécurité et l'électricité	24
Contraintes de sécurité	25
Dimensions de l'appareil	25
Caractéristiques	26
Description de l'appareil et de ses aménagements	26
Éléments de commande et de contrôle	27
Utilisation	28
Mise en marche et arrêt de l'appareil	28
Réglage de la température	28
Affichage de température	29
Ventilation	29
Alarme sonore	29
Écran Panne de courant/FrostControl	29
SuperCool	30
Mode Configuration	30 - 32
Compartiment réfrigérateur	33
Disposer les aliments	33
Équipement	33
Éclairage intérieur	34
Compartiment congélateur	36
Congélation	36
Congeler avec SuperFrost	36
Congélation et rangement	36
Dégivrage	36
Nettoyage/Vacances	37
Nettoyage	37
Conseils pour les périodes de vacances	37
Recherche des pannes	38
Service à la clientèle	39
Information de l'appareil	39
Garantie Liebherr	40

IMPORTANT

Tous les types et modèles sont sujets à des améliorations permanentes. Le fabricant se réserve le droit d'apporter toute modification dans le design, l'équipement et la technologie.

Veillez lire et suivre ces instructions

Ce manuel d'instructions contient des avertissements et des précautions. Ces informations sont importantes afin de garantir une installation et un fonctionnement sûrs et efficaces.

Toujours lire et respecter les avertissements et les précautions !

DANGER

Indique un danger qui provoquera des blessures graves, voire la mort, si les précautions ne sont pas respectées.

AVERTISSEMENT

Un avertissement indique une situation potentiellement dangereuse qui, si elle n'est pas évitée, pourrait entraîner la mort ou de graves blessures.

ATTENTION

Une précaution indique une situation potentiellement dangereuse qui, si elle n'est pas évitée, pourrait entraîner des blessures modérées ou mineures.

IMPORTANT

Ceci souligne l'information spécialement pertinente à une installation et un fonctionnement sans problème.

S'assurer que la tension du secteur est la même que celle tolérée par l'appareil.

Pour réduire les risques d'incendie, d'électrochocs ou de blessures corporelles, les travaux d'installation et le câblage électrique doivent être effectués par un électricien qualifié selon les codes et normes applicables, y compris la construction pare-feu.

Évacuation de votre ancien appareil

DANGER !

Un enfant risque d'être enfermé. Avant de se débarrasser de l'ancien réfrigérateur ou congélateur :

- S'assurer de respecter les règlements locaux en matière d'élimination des appareils électroménagers. Les appareils électroménagers mis au rebut peuvent être dangereux.
- Enlever la ou les porte(s).
- Retirer les tiroirs de congélation.
- Laisser les étagères en place afin que les enfants ne puissent pas grimper à l'intérieur.
- Couper le câble d'alimentation de l'appareil mis au rebut. Le jeter séparément de l'appareil.

En respectant toutes ces instructions, les risques de blessures, surtout pour les enfants qui jouent, sont diminués.

Contactez l'agence de collecte des ordures de votre région pour obtenir de plus amples renseignements.

Évacuation du carton

L'emballage est destiné à protéger l'appareil et les éléments individuels pendant le transport ; il est fabriqué à partir de matériaux recyclés.

AVERTISSEMENT !

Laisser l'emballage loin des enfants. Les feuilles et les sacs de polythène peuvent provoquer une suffocation !

- Apporter les emballages jusqu'aux installations de recyclage de votre secteur.

SÉCURITÉ


Importante information sur la sécurité

- Pour éviter tout risque de blessure ou d'endommager l'appareil, il est recommandé que deux personnes déballent l'appareil et le mettent en place.
- En cas de détérioration de l'appareil, contacter immédiatement le fournisseur avant même de brancher l'appareil.
- Pour garantir la sécurité de fonctionnement de l'appareil, respecter scrupuleusement les instructions de la notice concernant la mise en place et le raccordement électrique.
- En cas de panne, mettre l'appareil hors service en le débranchant et en déclenchant ou dévissant le fusible.
- Débrancher l'appareil en tirant sur la fiche et non pas sur le câble.
- Afin d'éviter tout risque pour les utilisateurs de l'appareil, les réparations et interventions ne doivent être effectuées que par un Service Après Vente agréé. Cette consigne s'applique également au remplacement du câble d'alimentation.
- Ne pas consommer la glace alimentaire, notamment la glace à l'eau et les glaçons, à la sortie du compartiment congélateur, afin d'éviter tout risque de brûlures pouvant être provoquées par les températures très basses.
- Pour éviter tout risque d'intoxication alimentaire, ne pas consommer des aliments stockés au-delà de leur date limite de conservation.
- L'appareil est conçu pour rafraîchir, congeler et stocker des aliments et pour faire des glaçons. Il est prévu pour fonctionner comme un appareil ménager.
- Ne pas conserver de matières explosives ni de produits en bombe à gaz propulseur inflammable (butane, propane, pentane, etc.) dans votre appareil. En cas de fuite éventuelle, ces gaz risquent en effet de s'enflammer au contact d'éléments électriques de votre appareil. Les produits en bombe concernés sont identifiés par l'étiquette indiquant leur composition ou un symbole représentant une flamme.
- Ne pas utiliser d'appareils électriques à l'intérieur de l'appareil.
- Pour éviter toute blessure éventuelle due à une électrocution, veiller à débrancher le cordon d'alimentation ou déclencher le disjoncteur avant de nettoyer l'appareil.
- Afin d'éviter toute blessure ou d'abîmer l'appareil, ne pas utiliser d'appareils de nettoyage à la vapeur pour nettoyer l'appareil.
- Ne pas utiliser l'appareil en présence de fumées explosives.
- Dans le cas d'une panne de courant, réduire l'ouverture de la ou des porte(s) de l'appareil. Protéger les aliments en plaçant de la glace carbonique sur les paquets ou en utilisant un autre casier pour denrées congelées si la panne de courant est de longue durée. Ne pas essayer de recongeler des aliments congelés déjà décongelés.
- Afin d'éviter toute blessure éventuelle, régler une étagère seulement lorsqu'elle est vide. Ne pas essayer d'ajuster une étagère sur laquelle des aliments sont placés.
- Pour éviter d'abîmer l'appareil, le laisser reposer pendant 1/2 heure à une heure avant de remettre l'électricité. Cela permettra au produit réfrigérant et au lubrifiant du système d'atteindre l'équilibre.

La sécurité et l'électricité

Brancher cet appareil à un circuit 110-120 V CA, 15 amp., contrôlé par un disjoncteur ou fusible. Cet appareil doit posséder son propre circuit de mise à la terre distinct. Ne pas utiliser de rallonge.

Le cordon d'alimentation est doté d'une fiche à trois broches polarisée (avec mise à la terre) pour vous protéger contre les risques d'électrocution éventuels. Pour une protection durable :

- Ne pas modifier la fiche en ôtant la broche ronde de mise à la terre. 
- Ne pas utiliser un adaptateur à 2 broches. Si la prise murale est du type à deux broches, demander à un électricien qualifié de la remplacer par une prise à trois broches conforme aux normes électriques en vigueur.
- Ne pas utiliser de cordon d'alimentation effiloché ou abîmé.

Contraintes de sécurité

L'appareil est conforme à la norme UL 250 / CSA C22.2 # 63 ; il est conçu pour rafraîchir, congeler et stocker des aliments et pour faire des glaçons (si celui-ci est équipé d'une fabrique à glaçons). Il est prévu pour fonctionner comme un appareil ménager.

L'appareil est réglé pour fonctionner dans des limites de température ambiante spécifiques en fonction du climat. Ces limites de température ne doivent pas être dépassées. La classification appropriée de votre appareil en fonction du climat est indiquée sur la plaque de modèle.

Les explications sont les suivantes :

Classification en fonction du climat	Valeurs nominales définies pour les températures ambiantes suivantes
SN	50 à 90°F (10 à 32°C)
N	61 à 90°F (16 à 32°C)
ST	61 à 100°F (16 à 38°C)
SN-ST	50 à 100°F (10 à 38°C)
SN-T	50 à 109°F (10 à 43°C)
T	61 à 109°F (16 à 43°C)

Nous recommandons de nettoyer l'appareil avant de le mettre en marche pour la première fois. Voir **Nettoyage**. Mettre l'appareil en marche plusieurs heures avant de le remplir avec des aliments congelés pour la première fois. Ne pas remplir l'appareil avec des aliments congelés tant que la température n'est pas à 0°F (-18°C) environ.

⚠ AVERTISSEMENT !

Ne pas laisser les enfants jouer avec cet appareil. Les enfants ne doivent ni grimper, ni s'asseoir ni se mettre debout sur les tiroirs de l'appareil. Ne pas suivre ces instructions pourrait provoquer la mort ou des blessures graves.

⚠ ATTENTION !

Pour éviter tout risque de blessure ou d'endommager l'appareil, il est recommandé que deux personnes déballent l'appareil et le mettent en place.

⚠ ATTENTION !

Protéger le revêtement du sol avant de déballer l'appareil.

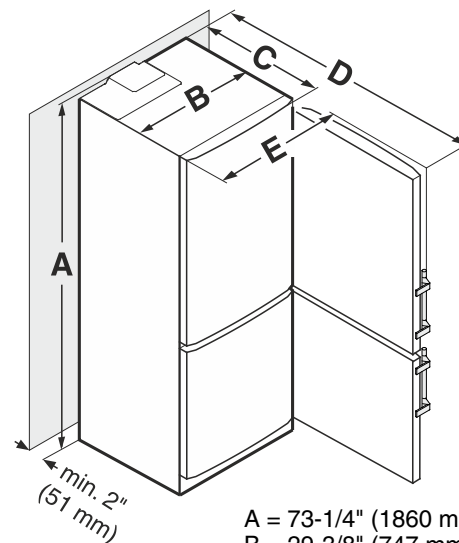
Éviter d'installer l'appareil à un endroit directement exposé aux rayons du soleil, près d'un four, d'une cuisinière, d'un chauffage ou de tout autre appareil chauffant. Ne poser aucun appareil générateur de chaleur (four à micro-ondes, grille-pain, etc.) sur votre appareil.

L'appareil doit être protégé des conditions climatiques. Ne pas obstruer les grilles de ventilation. Veiller à une bonne ventilation de l'appareil.

Dès que l'appareil est déballé :

- Examiner l'appareil et l'emballage pour repérer les dommages qui auraient pu être causés au cours du transport. Contacter immédiatement le transporteur si vous suspectez quelques dommages que ce soit.
- Noter le type (numéro de modèle), l'index, le numéro de série, la date et le lieu d'achat dans les espaces prévus à cet effet au dos de ce manuel.

Dimensions de l'appareil



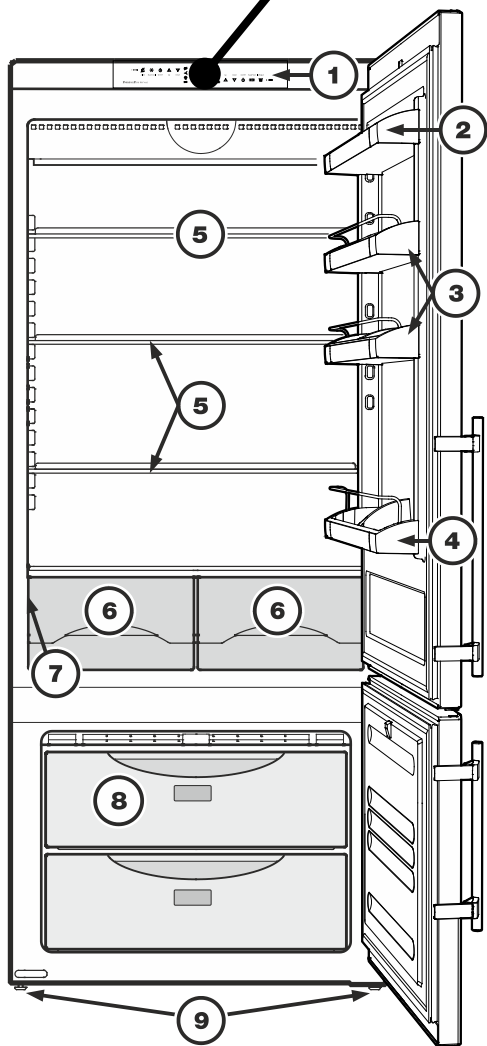
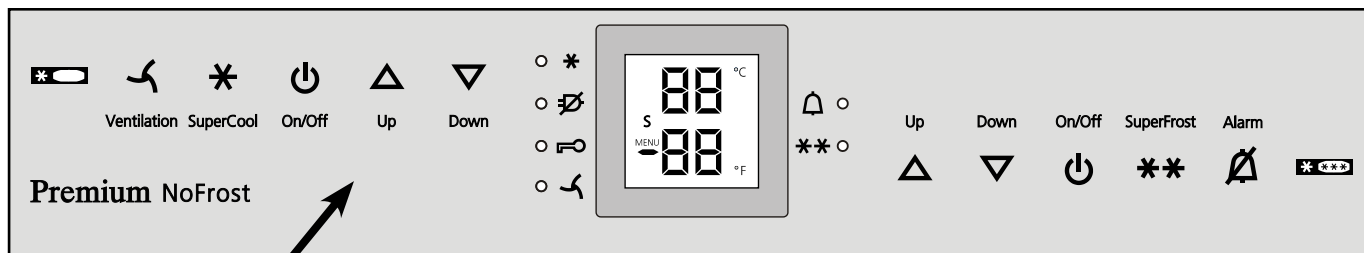
A = 73-1/4" (1860 mm)
B = 29-3/8" (747 mm)
C = 24-13/16" (630 mm)
D = 52-3/8" (1330 mm)
E = 31-3/32" (790 mm)

Remarque

Si la distance entre l'arrière de l'appareil et le mur est inférieure à 2 in. (51 mm), la consommation énergétique peut augmenter.

CARACTÉRISTIQUES

Description de l'appareil et de ses aménagements - Figure 1



Description du réfrigérateur

- (1) Éléments de commande et de contrôle
- (2) Balconnet de porte
- (3) Balconnets de porte ajustables
- (4) Balconnet maxi-bouteilles
- (5) Étagères réglables
- (6) Tiroirs à légumes
- (7) Plaque du modèle (derrière le tiroir à légumes, côté gauche)

Description du congélateur


- (8) Tiroirs du congélateur
- (9) Pieds réglables

Figure 1

CARACTÉRISTIQUES

Éléments de commande et de contrôle - Figure 2, Figure 3

Le bandeau de commande électronique dispose de la nouvelle « **Technologie de touche capacitive** ». Chaque fonction peut être activée d'une simple pression du doigt sur les icônes de commande.

Le point de contact précis se trouve entre le symbole et l'inscription  On/Off

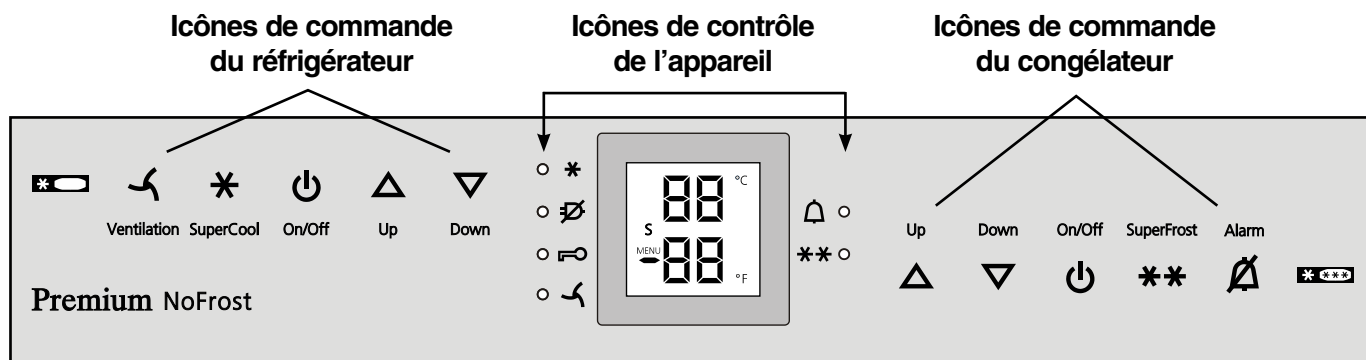


Figure 2

Icônes de commande du réfrigérateur	Icônes de contrôle de l'appareil	Icônes de commande du congélateur
Ventilation On/Off (circulation de l'air)	DEL Panne de courant	Commande de la température Up (pour augmenter la température du congélateur)
SuperCool	DEL SuperCool	Commande de la température Down (pour réduire la température du congélateur)
Réfrigérateur On/Off	DEL Sécurité enfants	Congélateur On/Off
Commande de la température Up (pour augmenter la température du réfrigérateur)	DEL Alarme	SuperFrost
Commande de la température Down (pour réduire la température du réfrigérateur)	DEL SuperFrost	Alarme désactivée (réfrigérateur et congélateur)
	DEL Ventilation ON	

Écran de température et de contrôle

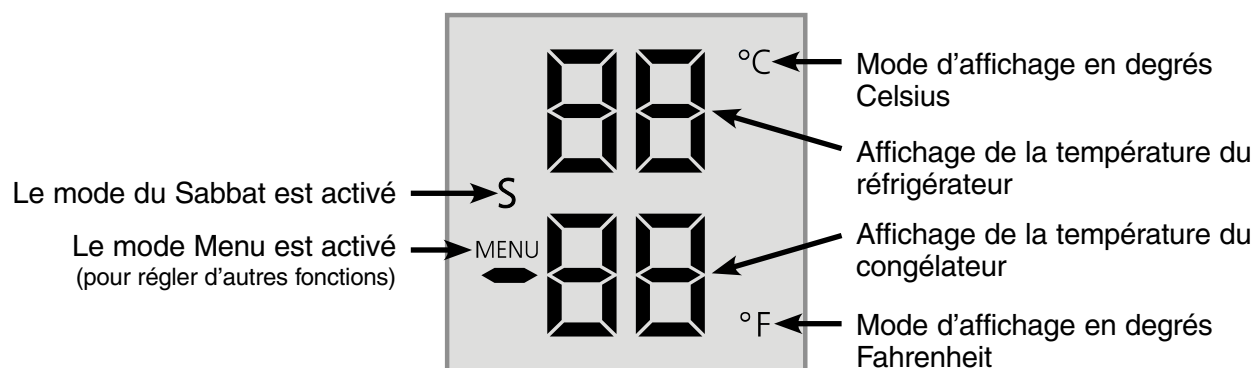


Figure 3

UTILISATION

Mise en marche et arrêt de l'appareil - Figure 4

Nettoyer l'appareil avant de le mettre en marche pour la première fois. Voir **Nettoyage**.

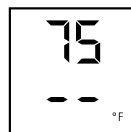
Ne pas remplir le compartiment congélateur avec des aliments congelés tant que la température n'est pas au moins à 0°F (-18°C). Le réfrigérateur et le congélateur peuvent fonctionner indépendamment l'un de l'autre.

1. Mettre en marche :

Appuyer sur l'icône On/Off du réfrigérateur

et l'icône On/Off du congélateur

pour que les écrans de température s'allument.



L'éclairage intérieur s'allume quand la porte du réfrigérateur est ouverte.

2. **Arrêt** : pour mettre le réfrigérateur ou le congélateur à l'arrêt, appuyer sur l'icône On/Off correspondante pendant environ 3 secondes jusqu'à ce que l'affichage de température et les éclairages intérieurs s'éteignent.

Réglage de la température - Figure 4

L'appareil est préréglé pour un fonctionnement normal. Nous recommandons les températures de 38°F (3°C) dans le réfrigérateur et de 0°F (-18°C) dans le congélateur.

Pour diminuer la température :

Appuyer sur l'icône DOWN à gauche pour réduire la température du réfrigérateur

et sur l'icône DOWN à droite pour réduire la température du congélateur.

Pour augmenter la température :

Appuyer sur l'icône UP à gauche pour augmenter la température du réfrigérateur

et à droite pour augmenter la température du congélateur.

1. Lorsque vous entrez la température, la **température réglée clignote** sur l'écran.
2. Lorsque vous appuyez sur les icônes de réglage de température pour la première fois, le réglage le plus récent s'affiche.
3. Vous pouvez modifier les réglages par paliers de 1°F (1°C) en appuyant brièvement sur les icônes. Si vous maintenez la touche appuyée, le réglage de la température changera plus rapidement.
4. Environ cinq secondes après que la touche est relâchée, l'écran affiche automatiquement la température de congélation ou de réfrigération actuelle.
5. Il est possible de changer les températures :
 - **Dans le réfrigérateur** entre 36°F et 44°F (2°C et 7°C) et
 - **Dans le congélateur** entre -15°F et 6°F (-26°C et -14°C).

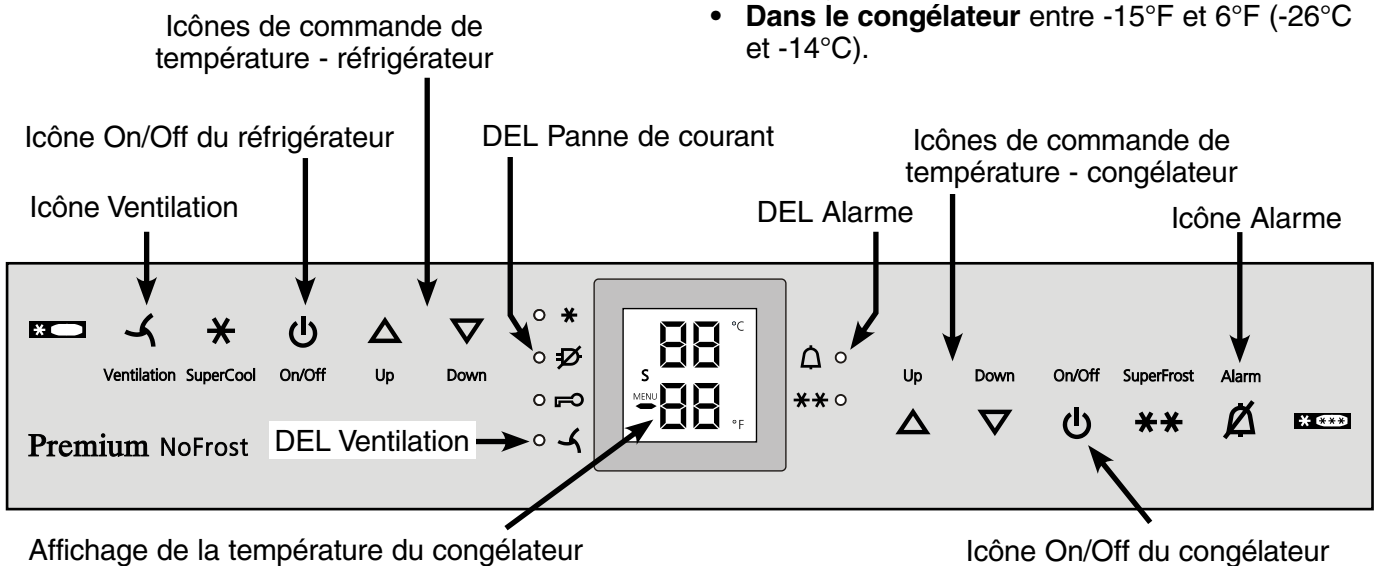


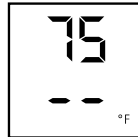
Figure 4

Affichage de température - Figure 4

Pendant le fonctionnement normal, les réglages suivants seront affichés :

- la température moyenne du réfrigérateur,
- la température des aliments surgelés la plus chaude.

Lorsqu'il est mis en service pour la première fois ou lorsque l'appareil est chaud, des tirets apparaissent sur l'écran de température du congélateur jusqu'à ce que la température atteigne 32°F (0°C) dans le compartiment congélateur.



L'écran clignote :

- si vous modifiez la température ou
- si la température s'élève de plusieurs degrés, indiquant la perte de froid, c.-à-d. si on place des aliments frais, « *chauds* » dans le congélateur ou si on enlève ou reconditionne des aliments surgelés, la température risque de s'élever pendant une courte durée en raison de l'air chaud qui entre dans le congélateur.
- Si « *F1* » à « *F5* » apparaît à l'écran, l'appareil est défectueux. Adressez-vous alors à votre service à la clientèle, en indiquant l'affichage que vous avez observé.

Ventilation - Figure 4

Le bouton Ventilation permet la remise en circulation de l'air frais :

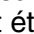
Vous pouvez utiliser ce bouton pour :

- refroidir rapidement de grandes quantités d'aliments frais.
- maintenir une température uniforme à travers l'ensemble du compartiment réfrigérateur. L'air circulera en accéléré, maintenant ainsi toutes les différentes zones de l'appareil à la même température et garantissant le refroidissement uniforme de tous les aliments.

Nous vous recommandons d'utiliser le ventilateur dans les cas suivants :

- température ambiante trop élevée (95 °F [35 °C] environ ou plus).
- l'humidité de l'air est trop élevée (forte chaleur humide).

Mettre en marche : appuyer brièvement sur l'icône Ventilation pour que la DEL  s'allume.

Mettre sur arrêt : appuyer de nouveau sur l'icône Ventilation jusqu'à ce que la DEL  soit éteinte.

Alarme sonore - Figure 4


L'alarme sonore permet de protéger les aliments surgelés et d'économiser de l'énergie.

Le signal de l'alarme sonore s'éteint en appuyant sur l'icône Alarme.

Alarme porte ouverte

Cette alarme retentit toujours si la porte est restée ouverte plus de 180 s environ. Vous pouvez l'éteindre tant que la porte est ouverte. En refermant la porte, vous réactivez la fonction d'alarme.

Alarme élévation de température

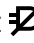
L'alarme sonore retentit toujours lorsque la température du congélateur n'est pas assez basse. *L'affichage de température et la DEL Alarme  clignotent simultanément.*

Causes possibles :

- des produits frais ont été introduits dans le congélateur alors qu'ils étaient encore chauds,
- une quantité excessive d'air chaud ambiant s'est introduite dans le congélateur pendant que vous rangiez ou sortiez vos produits,
- une panne dans l'appareil.

L'affichage de la température *clignotera* tant que l'incident détecté par l'alarme ne sera pas éliminé. L'affichage arrêtera ensuite de clignoter et sera permanent, *réactivant* automatiquement la fonction d'alarme sonore.

Écran Panne de courant/ FrostControl - Figure 4

Si la DEL Panne de courant  s'allume, cela signifie que la température du congélateur a **trop** augmenté durant les dernières heures ou les derniers jours en raison d'une panne de courant. L'affichage de température du congélateur clignote simultanément.

- Si vous appuyez maintenant sur l'icône **Alarme**, la température la plus élevée enregistrée pendant la panne de courant s'affiche.
- Vérifier la qualité des aliments au cas où ils se seraient réchauffés ou même décongelés.
- La température la plus élevée s'affiche pendant une minute approx. Ensuite, la température actuelle du congélateur s'affiche à nouveau. Il est possible d'éteindre l'affichage en appuyant plusieurs fois sur l'icône Alarme.

UTILISATION

SuperCool - Figure 5

En appuyant sur l'icône SuperCool, le compartiment réfrigérateur passe en refroidissement maximal. Il est recommandé, surtout si on souhaite refroidir rapidement une quantité importante d'aliments, de boissons, d'aliments qui viennent d'être cuits ou de repas.

- **Mettre en marche** : appuyer brièvement sur l'icône SuperCool pour que la DEL ✱ s'allume. La température du réfrigérateur descend à sa valeur la plus basse.

IMPORTANT

La fonction SuperCool consomme légèrement plus d'énergie. Toutefois, après environ six heures, le réfrigérateur revient automatiquement en fonctionnement normal qui consomme un minimum d'énergie. Si besoin est, il est possible d'arrêter la fonction SuperCool plus tôt.

- **Mettre sur arrêt** : appuyer de nouveau sur l'icône SuperCool jusqu'à ce que la DEL ✱ soit éteinte.

Mode Configuration - Figure 5

En mode Configuration, vous pouvez activer les fonctions suivantes :

⏸ = Mode du Sabbat

h = Luminosité de l'affichage

□ = Mode affichage de température

⏏ = Sécurité enfants

Comment activer le mode Configuration :

- Appuyer sur l'icône **SuperFrost** pendant environ cinq secondes.
 - La **DEL SuperFrost **** s'allume pendant cinq secondes.
 - Après 5 secondes, ⏏ clignote sur l'écran.

À présent, l'appareil est en mode Configuration.

Vous pouvez sélectionner les fonctions du mode Configuration en appuyant sur les icônes **Up/Down** du compartiment congélateur.

Remarque

En mode Configuration, l'affichage clignote en continu.

Sortir du mode Configuration :

- Appuyer sur l'icône **On/Off** du compartiment congélateur. L'appareil repasse en mode normal de fonctionnement.

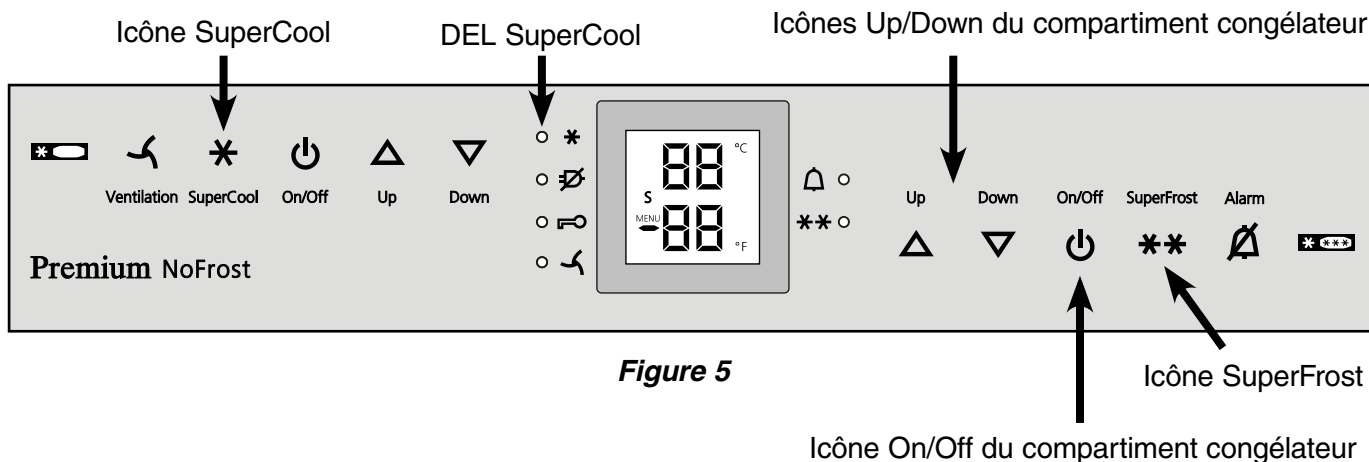


Figure 5



☸ = Mode du Sabbat

Cette caractéristique tient compte des exigences religieuses lors du Sabbat et des Fêtes. Lorsque le mode du Sabbat est activé, certaines fonctions des commandes électroniques sont mises en arrêt.

La porte peut être ouverte et fermée en tout temps.



- L'éclairage reste éteint.
- Le ventilateur de refroidissement reste comme il se trouve: s'il est en marche, il reste en marche, et s'il est en arrêt, il reste en arrêt.
- Il n'y a pas d'alarme de porte.
- Il n'y a pas d'alarme de température.
- Les cycles de dégivrage sont indépendants du nombre de fois et du temps d'ouverture de la porte.
- L'appareil va revenir en mode du Sabbat suite à une panne d'électricité.

Comment activer le mode du Sabbat

- Activer le mode Configuration en appuyant sur l'icône **SuperFrost** pendant 5 secondes.
 - L'affichage indique ☸.
- Appuyer sur l'icône **SuperFrost**.
 - L'affichage indique  →
- Appuyer de nouveau sur l'icône SuperFrost.
 - L'affichage indique  →
 - Le mode du Sabbat est activé.
- Sortir du mode Configuration en appuyant sur l'icône **On/Off** du compartiment congélateur.


Le mode Sabbat se désactive automatiquement après 120 heures s'il n'a pas été désactivé manuellement auparavant.

Comment désactiver le mode du Sabbat

- Activer le mode Configuration en appuyant sur l'icône **SuperFrost** pendant 5 secondes.
 - L'affichage indique ☸.
- Appuyer sur l'icône **SuperFrost**.
 - L'affichage indique  →
- Appuyer de nouveau sur l'icône **SuperFrost**.
 - Le symbole ☸  n'est plus affiché, le mode du Sabbat est désactivé.
- Sortir du mode Configuration en appuyant sur l'icône **On/Off** du compartiment congélateur.

h = Luminosité de l'affichage

Réglage de la luminosité de l'affichage

- Activer le mode Configuration en appuyant sur l'icône **SuperFrost** pendant 5 secondes.
- Appuyer sur l'icône **Down du compartiment congélateur** jusqu'à ce qu' h s'affiche sur l'écran de température du congélateur.
- Appuyer sur l'icône **SuperFrost**.
 - L'affichage indique  →
- Appuyer sur les icônes **Up/Down du compartiment congélateur** pour procéder à la sélection
 - h 0 = luminosité minimale ou
 - h 5 = luminosité maximale.
- Appuyer sur l'icône **SuperFrost** pour choisir la valeur désirée.
- Sortir du mode Configuration en appuyant sur l'icône **On/Off** du compartiment congélateur.


□ = Mode affichage de température

Vous pouvez sélectionner l'unité de température affichée en degrés Fahrenheit ou en degrés Celsius.

Remarque

Le réglage en usine est en degrés Fahrenheit.

Comment changer l'affichage de température en degrés Celsius

- Activer le mode Configuration en appuyant sur l'icône **SuperFrost** pendant 5 secondes.
- Appuyer sur l'icône **Down du compartiment congélateur** jusqu'à ce que □ s'affiche sur l'écran de température du congélateur.
- Appuyer sur l'icône **SuperFrost**.
 - L'affichage indique  →
- Appuyer de nouveau sur l'icône **SuperFrost**.
 - La température s'affiche maintenant en degrés Celsius.
- Sortir du mode Configuration en appuyant sur l'icône **On/Off** du compartiment congélateur.

Remarque

Pour revenir à l'affichage de température en degrés Fahrenheit, suivre les étapes ci-dessus.


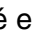
UTILISATION

Mode Configuration - Figure 6



☒ = Sécurité enfants

La sécurité enfants sert à éviter que l'appareil ne soit arrêté par inadvertance.

Comment activer la sécurité enfants

- Activer le mode Configuration en appuyant sur l'icône **SuperFrost** pendant 5 secondes.
- Appuyer sur l'icône **Down du compartiment congélateur** jusqu'à ce que ☒ s'affiche sur l'écran de température du congélateur.
- Appuyer sur l'icône **SuperFrost**.
- L'affichage indique 
- Appuyer de nouveau sur l'icône **SuperFrost**.
- La DEL  s'allume et la sécurité enfants est activée.
- Sortir du mode Configuration en appuyant sur l'icône **On/Off** du compartiment congélateur.

Comment désactiver la sécurité enfants

- Activer le mode Configuration en appuyant sur l'icône **SuperFrost** pendant 5 secondes.
- Appuyer sur l'icône **Down du compartiment congélateur** jusqu'à ce que ☒ s'affiche sur l'écran de température du congélateur.
- Appuyer sur l'icône **SuperFrost**.
- L'affichage indique 
- Appuyer de nouveau sur l'icône **SuperFrost**.
- La DEL  s'éteint. La sécurité enfants est désactivée.
- Sortir du mode Configuration en appuyant sur l'icône **On/Off** du compartiment congélateur.

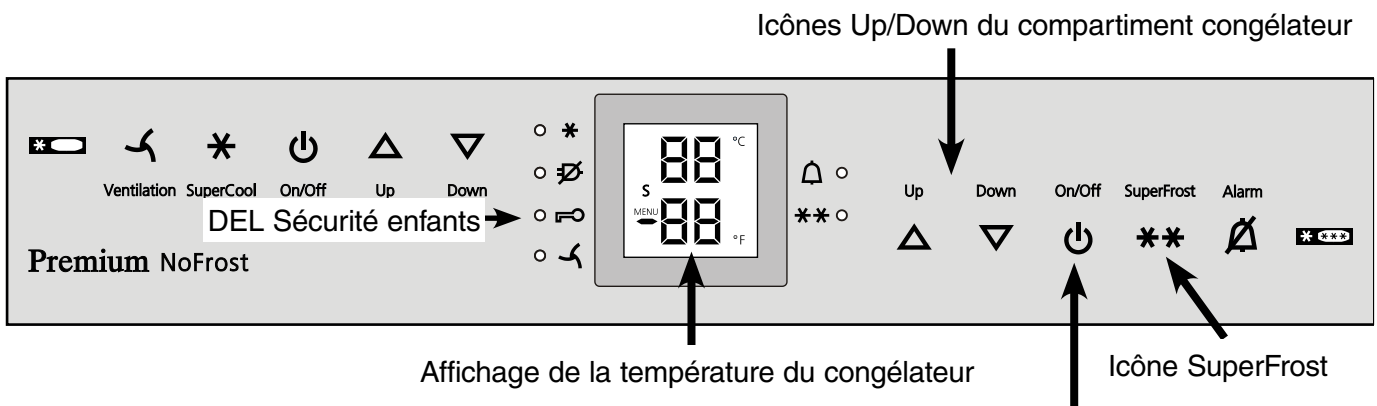


Figure 6

Icône On/Off du compartiment congélateur

COMPARTIMENT RÉFRIGÉRATEUR

Disposer les aliments - Figure 7

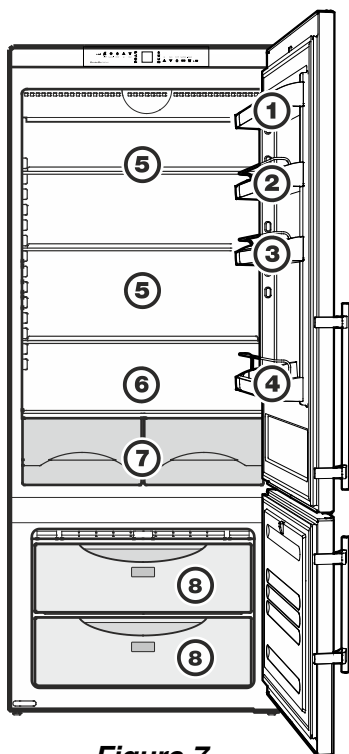


Figure 7

- (1) Beurre, fromage
- (2) Œufs
- (3) Canettes, boissons
- (4) Récipients d'une contenance d'1 gallon, bouteilles
- (5) Viande et saucisses, produits laitiers
- (6) Aliments cuits au four, repas précuits
- (7) Fruits, légumes, salades
- (8) Produits congelés

IMPORTANT

- Les liquides et les aliments qui émettent ou absorbent les odeurs doivent toujours être recouverts ou conservés dans des boîtes fermées.
- Veiller à ce que vos alcools forts soient bien fermés et les conserver verticalement.
- Les fruits, les légumes et les salades peuvent être stockés dans les tiroirs sans emballage.

Équipement



AVERTISSEMENT

Afin d'éviter d'éventuelles blessures, ajuster une étagère ou un balconnet de porte seulement lorsque ceux-ci sont vides. Ne pas essayer d'ajuster une étagère ou un balconnet de porte sur lesquels sont placés des aliments.

Il est possible de modifier la hauteur des étagères et des balconnets de porte s'il y a lieu.

Repositionnement des balconnets de porte - Figure 8

Faire glisser le balconnet vers le haut puis vers l'extérieur et le replacer dans le sens contraire.

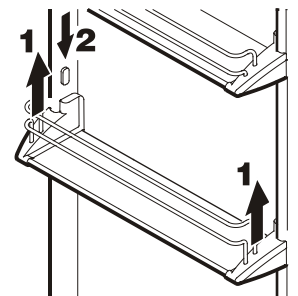


Figure 8

Repositionner les étagères - Figure 9

1. Tenir l'étagère dans votre main afin d'éviter qu'elle ne bascule vers l'arrière lors du déplacement.
2. Soulever le devant de l'étagère.
3. Déplacer l'étagère vers l'avant afin d'aligner l'évidement circulaire de l'étagère avec les supports avant.
4. Soulever l'étagère vers le haut ou l'abaisser et la replacer dans la position souhaitée.

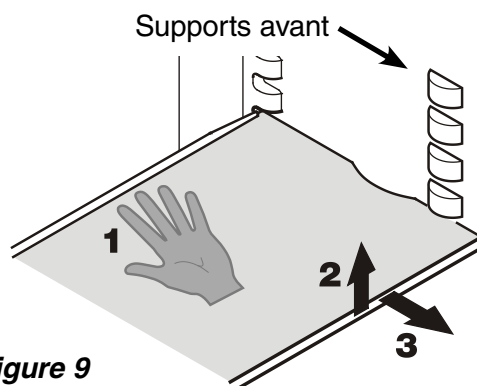


Figure 9

COMPARTIMENT RÉFRIGÉRATEUR

Retirer les étagères - Figure 10

1. Suivre les trois premières étapes décrites au chapitre ci-dessus.
2. Abaisser l'étagère et l'arrêter juste au-dessus du tiroir à légumes supérieur.
3. Déplacer l'avant de l'étagère vers le haut jusqu'à ce que l'étagère soit en position verticale.
4. Tourner l'étagère dans le sens inverse des aiguilles d'une montre et la retirer.



AVERTISSEMENT

Afin d'éviter toute chute lors du déplacement, tenir l'étagère avec les deux mains.

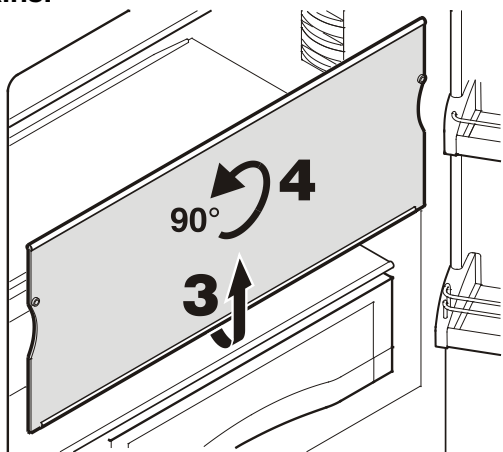


Figure 10

Éclairage intérieur

Il s'éteint automatiquement si la porte reste ouverte pendant environ 15 minutes.

S'il ne s'allume pas lorsque la porte est ouverte pendant peu de temps, mais si l'écran de température fonctionne, il se peut que l'ampoule soit défectueuse.

L'éclairage est installé derrière le cache dans la partie haute du compartiment réfrigérateur et équipé de deux ampoules.

IMPORTANT

N'utiliser que l'ampoule DEL originale du fabricant. Il est possible de se procurer l'ampoule via le S.A.V. ou les revendeurs spécialisés.



AVERTISSEMENT !

L'utilisation de toute autre ampoule DEL peut entraîner un danger de surchauffe ou d'incendie.

Remplacer l'ampoule :



AVERTISSEMENT !

Pour éviter toute blessure éventuelle due à une électrocution, veiller à débrancher le cordon d'alimentation ou déclencher le disjoncteur avant de remplacer une ampoule de l'éclairage intérieur.



ATTENTION !

Afin d'éviter toute blessure éventuelle due au bris de verre, protéger vos mains lors du remplacement de l'éclairage intérieur.

COMPARTIMENT RÉFRIGÉRATEUR

1. Désenclipser précautionneusement le cache à gauche, au milieu et à droite à l'aide d'un tournevis - **Figure 11**.

Retirer le cache.

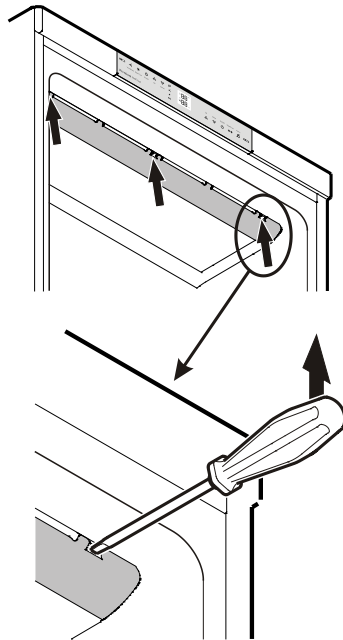


Figure 11

2. Retirer la plaque de verre - **Figure 12**.

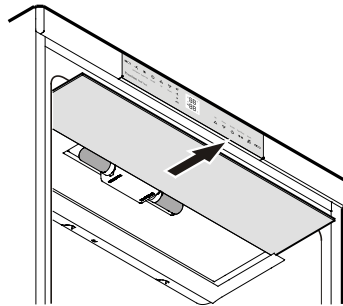


Figure 12

3. Retirer l'ampoule défectueuse. S'assurer que le joint (**Figure 13**) est placé sur la nouvelle ampoule avant de l'installer.
4. Remettre la plaque de verre et le cache.

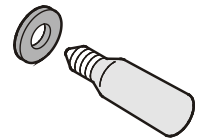


Figure 13

IMPORTANT

La plaque de verre doit être insérée complètement jusqu'au fond, sinon il est impossible d'encliqueter le cache correctement à sa place.

COMPARTIMENT CONGÉLATEUR

Congélation

Les aliments frais doivent être congelés complètement et aussi rapidement que possible. Cela est possible avec la fonction SuperFrost et assure que la valeur nutritionnelle, l'apparence et le goût des aliments restent intacts.

Congeler avec SuperFrost -

Figure 14

- Appuyer un court instant sur l'icône SuperFrost pour que la DEL ** s'allume.
- Attendre 24 heures.
- Placer ensuite les aliments frais à l'intérieur du congélateur.
- La fonction SuperFrost s'arrête automatiquement au bout de 30 (au plus tard 65) heures en fonction de la quantité d'aliments rangés dans le congélateur.

Le processus de congélation est maintenant terminé, la DEL ** SuperFrost s'éteint et le congélateur revient à un fonctionnement normal qui consomme un minimum d'énergie.

IMPORTANT

Il est conseillé de ne pas activer la fonction SuperFrost :

- pour placer des aliments surgelés dans le congélateur ;
- pour congeler jusqu'à environ 4-1/2 lb (2 kg) d'aliments frais par jour.

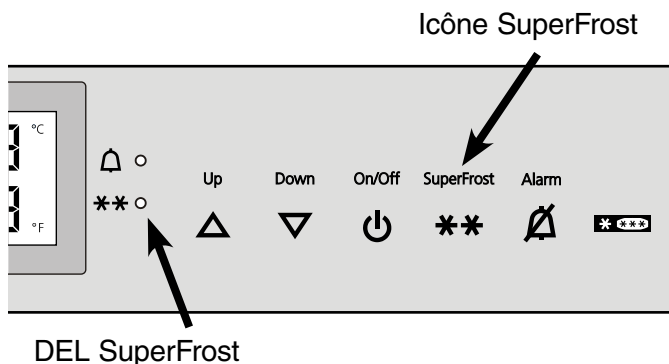


Figure 14

Congélation et rangement

- Emballer les aliments surgelés dans des sacs de congélation ou des boîtes en plastique, métal ou aluminium réutilisables.
- Ne pas laisser les aliments frais devant être congelés entrer en contact avec les aliments déjà congelés. Veiller à ce que les paquets soient secs pour éviter qu'ils ne se collent entre eux.
- Toujours écrire la date et le contenu sur le paquet et ne pas dépasser le temps de stockage indiqué pour les aliments. Ceci permet d'éviter le gâchis.
- Emballer les aliments que vous congélez vous-même en quantité que vous allez utiliser dans votre ménage. Pour assurer que les aliments se congèlent rapidement, chaque paquet ne doit pas dépasser les quantités suivantes :
 - fruits, légumes : jusqu'à 2-1/4 lb (1 kg) ;
 - viande : jusqu'à 5-1/2 lb (2,5 kg).
- Ne pas congeler des bouteilles ou des canettes qui contiennent des boissons gazeuses, car elles risquent d'exploser. Les boissons peuvent être refroidies rapidement, toutefois il faudra sortir les bouteilles du congélateur après une heure maximum.
- Ne sortir que la quantité d'aliments devant être décongelés. Faire cuire les aliments déjà décongelés le plus rapidement possible. Les aliments congelés peuvent être décongelés de différentes façons :
 - dans un four à micro-ondes
 - dans le réfrigérateur : la meilleure façon de décongeler les aliments, car les chances de bactéries sont moindres. Utiliser cette méthode pour les aliments à forte densité comme les rôtis et la volaille.

Dégivrage

Compartiment réfrigérateur :

Le compartiment réfrigérateur est à dégivrage automatique. L'eau de dégivrage qui se forme sur la paroi arrière est évacuée et recueillie dans un bac au dos de l'appareil, d'où elle s'évapore ensuite sous l'effet de la chaleur dissipée par le compresseur.

Compartiment congélateur :

Le système NoFrost dégivre automatiquement le compartiment congélateur. Toute l'humidité est collectée sur l'évaporateur et gèle ; elle se dégivre et s'évapore régulièrement.

Nettoyage



AVERTISSEMENT

- Pour éviter toute blessure éventuelle due à une électrocution, veiller à débrancher le cordon d'alimentation ou déclencher le disjoncteur avant de nettoyer l'appareil.
- Afin d'éviter toute blessure ou d'abîmer l'appareil, ne pas utiliser d'appareils de nettoyage à vapeur pour nettoyer l'appareil.
- Afin d'éviter un court circuit lors du nettoyage de l'appareil, s'assurer que l'eau ne pénètre pas dans les composants électriques. Ne pas utiliser une éponge ou un chiffon trop humide.
- Utilisez pour nettoyer les parois latérales et la surface des portes uniquement un chiffon propre et doux, légèrement humecté si besoin (eau + produit à vaisselle). On peut utiliser facultativement un chiffon en microfibras.

Ne pas utiliser d'éponges abrasives ou de tampon métallique à récurer. **Ne pas** utiliser de produits nettoyants concentrés et **NE JAMAIS** utiliser de nettoyants abrasifs ou acides ou de solvants chimiques.

- Retirer tous les aliments des compartiments réfrigérateur et congélateur et les stocker provisoirement dans un endroit frais. Stocker les aliments congelés dans d'autres congélateurs si c'est possible.
- Retirer les balconnets de porte comme à la **Figure 8**.
- Retirer les étagères en verre comme à la **Figure 9-10**.
- Retirer les tiroirs à légumes.
- Nettoyer les équipements intérieurs à la main avec de l'eau tiède et un produit vaisselle.



ATTENTION

Ne pas nettoyer les équipements intérieurs dans le lave-vaisselle. Les bordures de ces éléments pourraient se défaire.

- Nettoyer l'intérieur du réfrigérateur et les tiroirs du congélateur avec de l'eau tiède et un produit vaisselle.

- Nettoyer l'intérieur du réfrigérateur et les tiroirs du congélateur avec de l'eau tiède et un produit vaisselle.

- Nettoyer l'orifice d'écoulement.

Retirer les résidus à l'aide d'un instrument mince, avec par ex. un coton-tige (**Figure 15**).

IMPORTANT

Si l'orifice d'écoulement venait à être bouché, l'eau se déverserait dans le compartiment réfrigérateur.

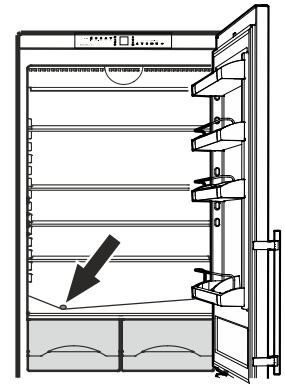


Figure 15

- Essuyer bien l'appareil avec un chiffon.
- **Ne pas** endommager ou enlever la plaque de modèle à l'intérieur de l'appareil. Elle est très importante en cas de réparations.

Conseils pour les périodes de vacances

Vacances courtes :

Il est inutile de mettre le réfrigérateur et le congélateur hors tension en cas d'absence inférieure à quatre semaines.

- Consommer toutes les denrées périssables.
- Congeler les autres produits.

Vacances prolongées :

En cas d'absence supérieure ou égale à un mois :

- Retirer tous les aliments des compartiments réfrigérateur et congélateur.
- Mettre hors tension les compartiments réfrigérateur et congélateur.
- Nettoyer l'appareil. Consulter la section **Nettoyage**.
- Laisser la porte ouverte pour éviter des odeurs déplaisantes. Cela empêche également la formation de moisissure.

DÉPANNAGE

Si un problème survient en cours d'utilisation, vérifiez s'il est dû à une erreur d'utilisation.

Il est important de noter que même pendant la période de garantie, certains coûts de réparation peuvent être imputés au propriétaire. Vous serez peut-être en mesure de remédier aux pannes suivantes en vérifiant vous-même les causes possibles.

Problème	Cause possible et solution
L'appareil ne fonctionne pas, l'écran est éteint	<ul style="list-style-type: none"> - L'appareil a-t-il été correctement mis en marche ? - La fiche du cordon d'alimentation est-elle correctement enfichée ? - Le disjoncteur ou le fusible est-il en bon état de fonctionnement ?
L'éclairage intérieur ne s'allume pas	<ul style="list-style-type: none"> - Le compartiment réfrigérateur est-il en marche ? - La porte est-elle restée ouverte plus de 15 minutes ?
Fonctionnement très bruyant	- L'appareil est-il correctement posé au sol ou le compresseur fait-il vibrer des meubles ou des objets proches ? Si besoin est, déplacez légèrement l'appareil, alignez-le en ajustant les pieds réglables ou séparez les bouteilles et les boîtes.
Le moteur semble fonctionner trop longtemps	<ul style="list-style-type: none"> - La température ambiante est-elle trop élevée ? Voir Contraintes de sécurité. - L'appareil a-t-il été ouvert trop souvent ou est-il resté ouvert trop longtemps ? - Une grande quantité d'aliments frais a-t-elle été placée dans l'appareil ? - L'appareil est en mode SuperCool. Vérifiez que l'appareil est en mode de fonctionnement normal.
La température n'est pas assez basse	<ul style="list-style-type: none"> - Le réglage de la température est-il correct ? Voir Réglage de la température. - Trop d'aliments frais ont-elles été placées dans l'appareil ? - Le thermomètre installé séparément indique-t-il la température correcte ? - La ventilation de l'appareil fonctionne-t-elle correctement ? - L'appareil est-il installé à proximité d'une source de chaleur ?
Deux tirets "- -" s'affichent sur l'écran de température du congélateur	L'écran de température du congélateur affiche uniquement les températures négatives. Lorsque le congélateur est mis en service la première fois, la température n'est pas négative. Il faut compter entre trois et cinq heures (selon les conditions ambiantes) pour que les températures passent en dessous de zéro et puissent donc s'afficher. Ceci peut également se produire après une panne de courant.
Une couche de glace ou des gouttes d'eau se forment sur la paroi arrière du compartiment réfrigérateur.	Ce phénomène est tout à fait normal. Durant le processus de réfrigération, l'humidité dans le compartiment réfrigérateur se condense sur la paroi arrière, et du givre se forme. Lorsque le compresseur est à l'arrêt, la couche de glace fond. L'eau de condensation de la paroi arrière se retire alors à travers l'orifice d'écoulement de l'eau de dégivrage pour s'évaporer ensuite.

Service à la clientèle - Figure 16

Si aucune des causes ci-dessus ne s'applique et qu'il est impossible de remédier à la panne seul cela signifie qu'il y a une défaillance. Contacter le département du service à la clientèle le plus proche (voir la liste d'adresses jointe).

Indiquer le **numéro de défaillance affiché**, de même que

- la désignation du type ①,**
- le numéro de service ② et**
- le numéro de l'appareil/série ③**

qui sont indiqués sur la plaque de modèle pour assurer un service rapide et efficace. La plaque de modèle est située à l'intérieur de l'appareil du côté gauche.

Laisser l'appareil fermé jusqu'à l'arrivée du technicien du service à la clientèle afin d'éviter des pertes de froid supplémentaires.

Information de l'appareil

Conserver cette information au moment de l'installation de l'appareil.

Désignation du type : _____

Numéro de service : _____

Numéro de l'appareil/série : _____

Date d'achat : _____

Lieu d'achat : _____

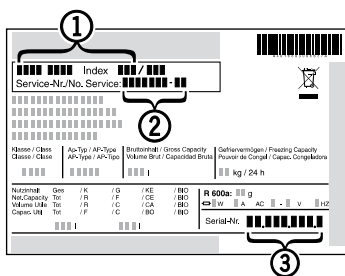


Figure 16

GARANTIE

GARANTIE LIEBHERR

GARANTIE COMPLÈTE DE DEUX ANS

Pendant deux ans à partir de la date originale de l'achat, votre garantie Liebherr couvre toutes les pièces et main-d'oeuvre pour réparer ou remplacer toute pièce du produit qui s'avère défectueuse, relativement aux matériaux ou à la main-d'oeuvre.

GARANTIE COMPLÈTE DE CINQ ANS

Pendant cinq ans à partir de la date originale de l'achat, votre garantie Liebherr couvre toutes les pièces et main-d'oeuvre pour réparer ou remplacer toute pièce du produit qui s'avère défectueuse, relativement aux matériaux ou à la main-d'oeuvre du système scellé. Le « système scellé » est uniquement constitué du compresseur, du condenseur, de l'évaporateur, du déshydrateur et de tous les tubes de branchement.

GARANTIE LIMITÉE DE LA 6^{ÈME} À LA 12^{ÈME} ANNÉE

De la 6^{ème} à la 12^{ème} année à partir de la date originale de l'achat, votre garantie Liebherr couvre toutes les pièces qui s'avèrent défectueuses, relativement aux matériaux ou à la main-d'oeuvre, dans le système scellé (pièces seulement).

CONDITIONS APPLICABLES À CHAQUE GARANTIE

Tous les services fournis par Liebherr dans le cadre de cette garantie doivent être exécutés par les représentants de services autorisés par Liebherr, à moins d'être autrement spécifié par Liebherr. Le service sera rendu sur place pendant les heures d'affaires normales. Cette garantie s'applique uniquement aux produits installés pour un usage privé normal. Les détails relatifs à la garantie non-privée sont disponibles sur demande.

La garantie s'applique uniquement aux produits installés dans n'importe lequel des cinquante états des États-Unis ou dans le District de Columbia et au Canada. Cette garantie ne couvre ni les pièces ni la main-d'oeuvre nécessaires à la correction d'une défaillance causée par la négligence, un accident ou une mauvaise utilisation, entretien, installation, service ou réparation, incluant, mais sans être limité à, un retrait et une réinstallation incorrects du groupe compresseur-condenseur.

LES GARANTIES SUSMENTIONNÉES TIENNENT EXPRESSÉMENT LIEU ET PLACE DE TOUTE AUTRE GARANTIE, EXPLICITE OU IMPLICITE, Y COMPRIS TOUTE GARANTIE IMPLICITE DE QUALITÉ MARCHANDE OU DE CONFORMITÉ À DES FINS PARTICULIÈRES ET DE TOUTE AUTRE OBLIGATION OU RESPONSABILITÉ DE LIEBHERR. LIEBHERR NE PEUT ÊTRE EN AUCUN CAS TENU RESPONSABLE DES DOMMAGES ET INTÉRÊTS SPÉCIAUX, FORTUITS OU CONSÉCUTIFS RÉSULTANT DE LA VIOLATION DE CES GARANTIES OU DE TOUTE AUTRE GARANTIE, QU'ELLE SOIT EXPLICITE, IMPLICITE OU LÉGALE.

Certains états ne permettent pas l'exclusion ou la limitation des dommages indirects ou consécutifs ; les limitations ci-dessus peuvent par conséquent ne pas s'appliquer à votre cas. Cette garantie vous donne des droits légaux spécifiques et vous pouvez également avoir d'autres droits qui varient d'un état à l'autre.

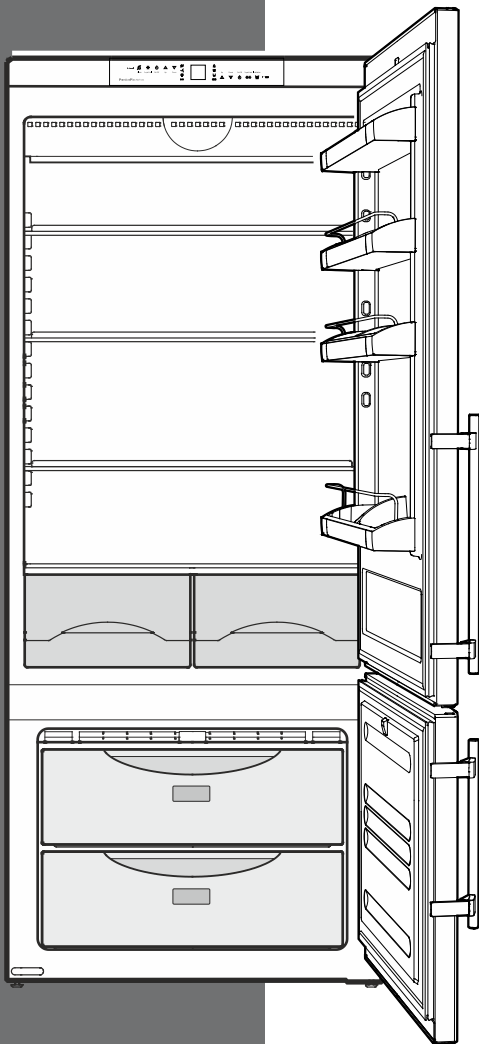
Pour recevoir des pièces et/ou des services ainsi que le nom du représentant de service Liebherr autorisé le plus près de chez vous, contactez le concessionnaire ou le distributeur Liebherr ou contactez le fournisseur national de service Liebherr

Aux États-Unis : à l'adresse Service-appliances.us@liebherr.com ou composez le 1-866-LIEBHER (866-543-2437).
Au Canada : www.euro-parts.ca ou composez le 1-888-LIEBHER (1-888-543-2437).

LIEBHERR

Instrucciones de manejo y de manteni- miento

Para combinados
frigorífico-congelador NoFrost



CS 1400
7084 355-00

ÍNDICE

Otros puntos a favor

- Sin CFC
- Circuito de frío optimizado
- Eficaz aislamiento
- Bajo consumo energético

- Fácil manejo - control electrónico
- Indicación de las funciones activadas
- Regulación de temperatura correspondiente al tipo climatológico independiente de la temperatura ambiente
- Desescarche automático del frigorífico y congelador: no es necesario dedicar tiempo y trabajo al desescarche

- Frigorífico de gran volumen útil
- Práctica dotación, de posición variable
- Baldas de vidrio de seguridad
- Congelador de gran volumen útil

- Aviso en caso de temperatura congeladora insuficiente
- Alarma al estar la puerta abierta
- Indicación de corte de corriente eléctrica/ FrostControl
- Función de congelación rápida 'según cantidad' de los alimentos a congelar
- Todos los cajones aptos para la congelación rápida

- Asas de transporte integradas en el aparato
- Rodillos de transporte

- Fácil limpieza

- La organización Star-K ha certificado este aparato como conforme al Sábado, por lo tanto, se puede usar durante el reposo religioso. Si desea una información más detallada, visite Star-K en la web en www.star-k.org.

Índice	Página
Seguridad.....	43
Eliminación del aparato viejo.....	43
Eliminación del embalaje.....	43
Información importante sobre la seguridad ..	44
Seguridad eléctrica.....	44
Generalidades.....	45
Dimensiones del aparato.....	45
Dotación.....	46
Descripción y dotación del aparato.....	46
Elementos de mando y control.....	47
Funcionamiento.....	48
Conexión/Desconexión del aparato.....	48
Ajuste de temperatura.....	48
Indicación de temperatura.....	49
Ventilación.....	49
Avisador acústico.....	49
Indicación de corte de corriente eléctrica/ FrostControl.....	49
Función SuperCool.....	50
Modo de configuración.....	55 - 52
Compartimiento frigorífico.....	53
Reparto de los alimentos.....	53
Dotación.....	53
Iluminación interior.....	54
Compartimiento congelador.....	56
Congelación.....	56
Congelar con SuperFrost.....	56
Sugerencias para congelar y almacenar.....	56
Desescarche.....	56
Limpieza/Vacaciones.....	57
Limpieza.....	57
Consejos para las vacaciones.....	57
¿Anomalías - Problemas?.....	58
Servicio Técnico.....	59
Informaciones sobre el aparato.....	59
Plan de garantía Liebherr.....	60

IMPORTANTE

Debido al continuo desarrollo tecnológico a favor de nuestros tipos y modelos pueden darse pequeñas divergencias en diseño, dotación y características del aparato, que no figuran en el presente manual de instrucciones.

Por favor lea y siga estas instrucciones

Estas instrucciones contienen indicaciones de Advertencia y Precaución. Esta información es importante para una instalación y operación eficientes y seguras.

¡Siempre debe leer y seguir todas las indicaciones de Advertencia y Precaución!



PELIGRO

Indica un riesgo que originará lesiones graves o la muerte si no se siguen las prescripciones de seguridad.



ADVERTENCIA

Indica un riesgo que puede provocar lesiones graves o la muerte si no se tienen en cuenta las prescripciones de seguridad.



PRECAUCIÓN

Señala una situación en la cual pueden producirse lesiones menores o moderadas si no se siguen las instrucciones.

IMPORTANTE

Aquí se destaca la información que es especialmente relevante para una instalación sin problemas.

Asegúrese de que la tensión de red sea la misma que el valor nominal del aparato.

Para reducir el riesgo de incendio, descarga eléctrica, o lesiones personales, la tarea de instalación y el cableado eléctrico debe llevarlo a cabo un electricista cualificado de acuerdo con todos los códigos y estándares aplicables, incluyendo la construcción con protección contra incendios.

Eliminación del aparato viejo



¡PELIGRO!

Riesgo de que los niños resulten atrapados. Antes de desechar su antiguo refrigerador o congelador:

- Asegúrese de seguir los requerimientos locales para la eliminación de los electrodomésticos. Los aparatos desechados pueden ser peligrosos.
- Quite las puertas.
- Retire los cajones del congelador.
- Deje las baldas y los estantes en su lugar de forma que los niños no puedan subirse al interior.
- Corte el cable de alimentación del aparato desechado. Elimínelo por separado del aparato.

Siguiendo estas instrucciones se reduce la posibilidad de causar heridas personales, especialmente a niños que estén jugando.

Para más información, póngase en contacto con la oficina de recogida de trastos en su zona.

Eliminación del embalaje

El embalaje protector del aparato y de elementos sueltos se ha fabricado con materiales reciclables.



¡ADVERTENCIA!

Los materiales de embalaje no son juguetes para los niños. Peligro de asfixia con láminas o bolsas de plástico.

- La devolución del embalaje al ciclo de reciclaje deberá efectuarse en un punto de recogida específica.

SEGURIDAD

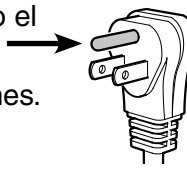
Información importante sobre la seguridad

- A fin de evitar daños personales y materiales, el aparato deberá desembalarse y emplazarse por dos personas.
- En el caso de apreciar daños en un aparato deberá consultarse inmediatamente con el distribuidor antes de proceder a su conexión.
- Para garantizar el funcionamiento seguro del aparato, proceda a su montaje y conexión sólo de acuerdo con las respectivas indicaciones de estas “Instrucciones de manejo”.
- En caso de anomalía, desconecte el aparato de la red eléctrica desenchufando el cable o desactivando/retirando el fusible.
- En caso de desconectar el aparato de la red eléctrica, retire la clavija del enchufe. No tire el cable.
- Cualquier trabajo de reparación o mantenimiento deberá realizarse exclusivamente por personal autorizado del Servicio Técnico. De lo contrario podrían originarse riesgos considerables para el usuario. Lo mismo rige para la sustitución del cable de alimentación.
- Los helados, sobre todo los elaborados con agua (polos) o los cubitos de hielo, no deberán ingerirse inmediatamente después de extraerlos del congelador. El bajo nivel de temperaturas produce “efectos de quemaduras”.
- No consuma los alimentos pasados de la fecha de caducidad. Riesgo de intoxicación.
- El aparato está previsto para enfriar, congelar y almacenar alimentos, así como para la preparación de helados. Se ha concebido para su utilización en los hogares.
- El aparato no sirve para almacenar materias explosivas o envases a presión con propelentes inflamables (como butano, propano, pentano o similares). El gas de un escape fortuito podría inflamarse debido a los elementos eléctricos. Tales envases a presión suelen llevar impresa la composición de su contenido o el símbolo de la llama.
- No utilice aparatos eléctricos en el interior del aparato.
- Para prevenir posibles heridas debidas a una electrocución, asegúrese de desconectar el cable de alimentación o de apagar el disyuntor antes de limpiar el aparato.
- Para prevenir posibles heridas o daños al aparato, no utilice aparatos de limpieza a vapor para limpiar el aparato.
- No haga funcionar el aparato en presencia de vapores explosivos.
- En caso de un corte de electricidad, reduzca al mínimo la apertura de la(s) puerta(s) del aparato. Proteja los alimentos colocando hielo seco encima de los paquetes o usando un almacén local de alimentos congelados si el fallo de suministro es de larga duración. No intente congelar de nuevo los alimentos que se hayan descongelado.
- Para evitar posibles heridas, ajuste las baldas y superficies sólo cuando estén vacías. No intente ajustar una balda o superficie con alimentos encima.
- Para proteger el aparato de posibles daños, deje el aparato en reposo de 1/2 a 1 hora antes de ponerlo en marcha. Esto permite que el refrigerante y la lubricación del sistema lleguen a un equilibrio.

Seguridad eléctrica

Conecte este aparato a un circuito de 110-120 V c.a. apto para 15 amperios y controlado por un disyuntor o un fusible. Este aparato debe tener su propio circuito separado con puesta a tierra. No utilice alargaderas.

El cable de alimentación está equipado con una clavija de tres bornes (con toma de tierra) para protegerle contra el posible peligro de electrocución. Para mantener esta protección:

- No modifique la clavija eliminando el borne redondo de puesta a tierra. 
- No use un adaptador de dos bornes. Si tiene una toma de corriente de dos bornes en la pared, póngase en contacto con un electricista cualificado y haga que se lo cambien por una base de tres bornes de acuerdo con los reglamentos y las ordenanzas locales.
- No use un cable de alimentación que esté raído o dañado.

Reglamentaciones de seguridad

El aparato corresponde a la norma UL 250 / CSA C22.2 # 63 y está previsto para enfriar, congelar y almacenar alimentos, así como para la preparación de helados y de cubitos de hielo (si equipado con un fabricante de hielo). Se ha concebido para su utilización en los hogares.

El aparato está previsto para el funcionamiento a determinadas temperaturas ambiente, ¡que no deberán sobrepasarse ni en exceso, ni en defecto! El tipo climatológico correspondiente a su aparato figura en la placa del modelo.

Los símbolos de los tipos climatológicos son los siguientes:

Tipo climatológico	Temperaturas ambiente
SN	50°F a 90°F (10°C a 32°C)
N	61°F a 90°F (16°C a 32°C)
ST	61°F a 100°F (16°C a 38°C)
SN-ST	50°F a 100°F (10°C a 38°C)
SN-T	50°F a 109°F (10°C a 43°C)
T	61°F a 109°F (16°C a 43°C)

Con anterioridad a la puesta en servicio se recomienda limpiar a fondo el interior y exterior del aparato (véase el capítulo **Limpieza**). El aparato deberá conectarse algunas horas antes de proceder a la primera introducción de alimentos ultracongelados. En todo caso deberá disponerse de una temperatura mínima de 0°F (-18°C).

⚠ ¡ADVERTENCIA!

No permita que los niños jueguen con el aparato. Los niños no deben subirse a los cajones del aparato, ni sentarse o ponerse encima. Hay riesgo que puede provocar lesiones graves o la muerte si no tienen en cuenta las prescripciones de seguridad.

⚠ ¡PRECAUCIÓN!

A fin de evitar daños personales y materiales, haga que dos personas desembalen y trasladen este aparato a su lugar.

⚠ ¡PRECAUCIÓN!

Proteja la superficie de acabado del suelo antes de desembalar el aparato.

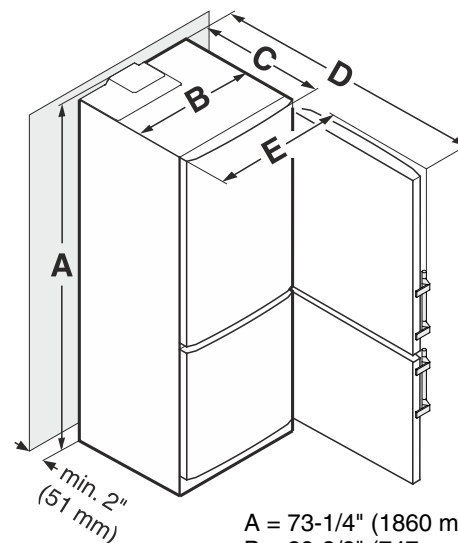
Hay que evitar la colocación del aparato al lado de una ventana, donde lo alcance directamente el calor solar, o junto al horno, al hogar, a la calefacción u otras fuentes de calor. Encima del aparato no deberán colocarse los electrodomésticos que emiten calor (tostadores, hornos microondas y similares).

Mantenga el aparato fuera de la intemperie. No deberán obstruirse las rejillas de aireación, procurando que siempre exista una buena ventilación alrededor del aparato.

En cuanto haya desembalado el aparato:

- Examine el aparato y el embalaje por si han sufrido daños en el transporte. Póngase en contacto inmediatamente con el transportista si sospecha que hay algún daño.
- Anote el tipo (número del modelo), índice, número de serie, fecha de compra y lugar de compra en los espacios previstos en el dorso de este manual.

Dimensiones del aparato



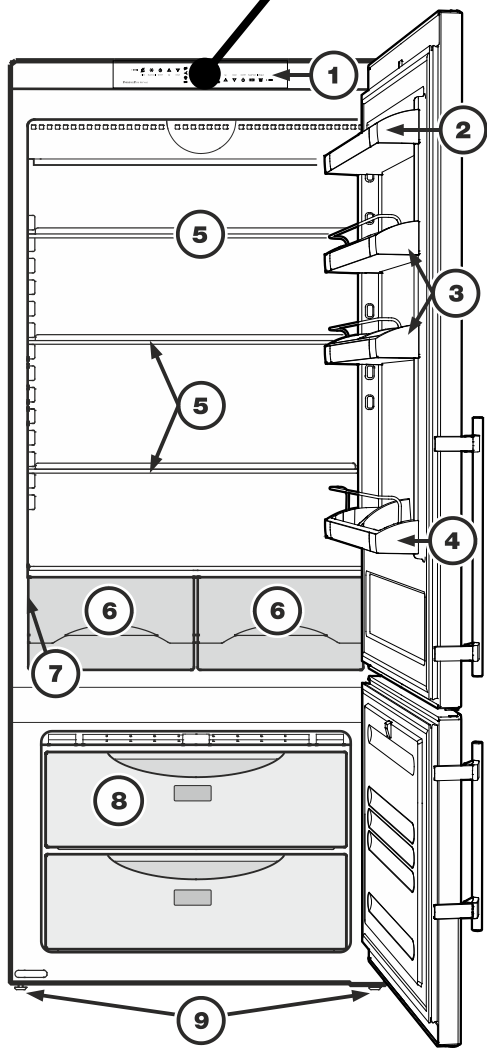
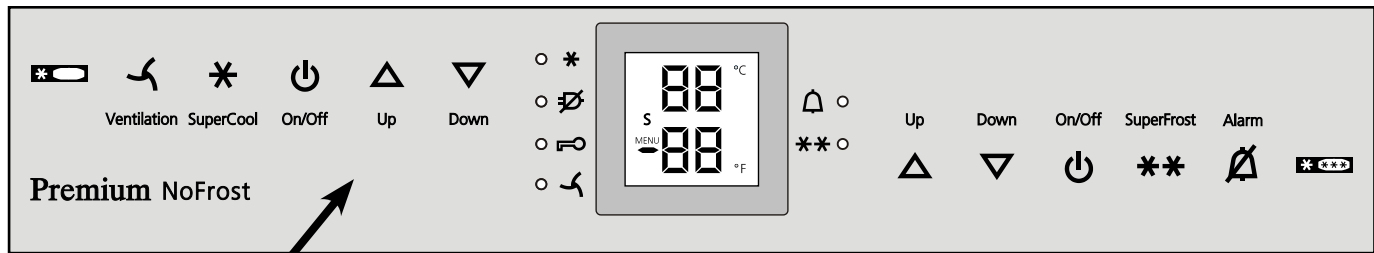
A =	73-1/4" (1860 mm)
B =	29-3/8" (747 mm)
C =	24-13/16" (630 mm)
D =	52-3/8" (1330 mm)
E =	31-3/32" (790 mm)

NOTA

Si la distancia entre la parte trasera del aparato y la pared es inferior a 2 in. (51 mm), el consumo de energía puede aumentar.

DOTACIÓN

Descripción y dotación del aparato - Figura 1



Descripción del frigorífico

- (1) Elementos de mando y control
- (2) Estante de puerta
- (3) Estantes de puerta desplazables
- (4) Estante para botellas grandes
- (5) Baldas adaptables en altura
- (6) Cajones para fruta/verdura
- (7) Placa del modelo (detrás del cajón para fruta/verdura a la izquierda)

Descripción del congelador


- (8) Cajones del congelador
- (9) Patas (regulables en altura)

Figura 1

ELEMENTOS DE MANDO Y CONTROL

Elementos de mando y control - Figura 2, Figura 3

El panel de mandos electrónico tiene la nueva “**Tecnología de contacto**”. Se puede activar cualquier función pulsando con un dedo los iconos de funcionamiento.

El punto exacto de contacto está entre el símbolo y el rótulo  On/Off

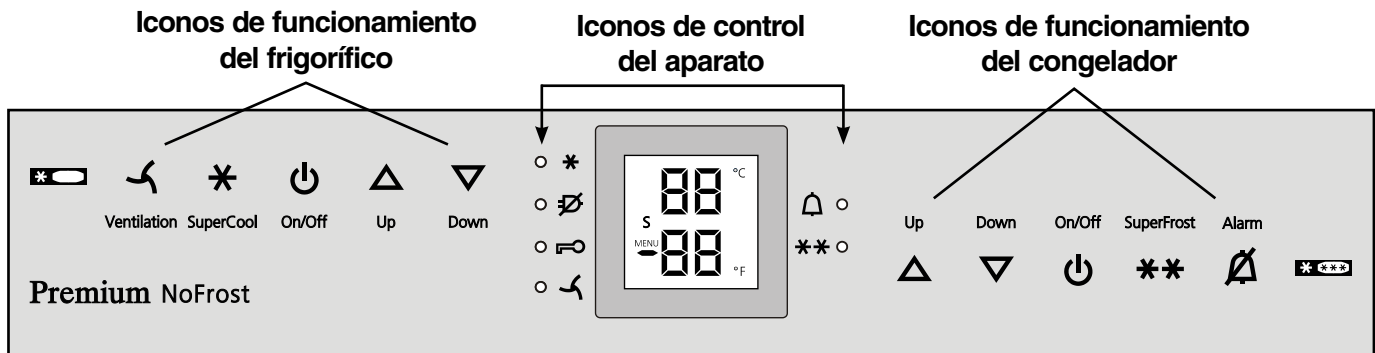


Figura 2

Iconos de funcionamiento del frigorífico	Iconos de control del aparato	Iconos de funcionamiento del congelador
Ventilación On/Off (recirculación)	Piloto LED de corte de corriente	Icono de ajuste Up (para aumentar la temperatura del congelador)
SuperCool	Piloto LED SuperCool	Icono de ajuste Down (para disminuir la temperatura del congelador)
Frigorífico On/Off (ENCENDIDO/APAGADO)	Piloto LED de protección contra manipulaciones infantiles	Congelador On/Off (ENCENDIDO/APAGADO)
Icono de ajuste Up (para aumentar la temperatura del frigorífico)	Piloto LED de alarma	Congelador On/Off (ENCENDIDO/APAGADO)
Icono de ajuste Down (para disminuir la temperatura del frigorífico)	Piloto LED SuperFrost	SuperFrost
	Piloto LED de ventilación ENCENDIDA	Apagar avisador acústico (frigorífico y congelador)

Pantalla de temperatura y control

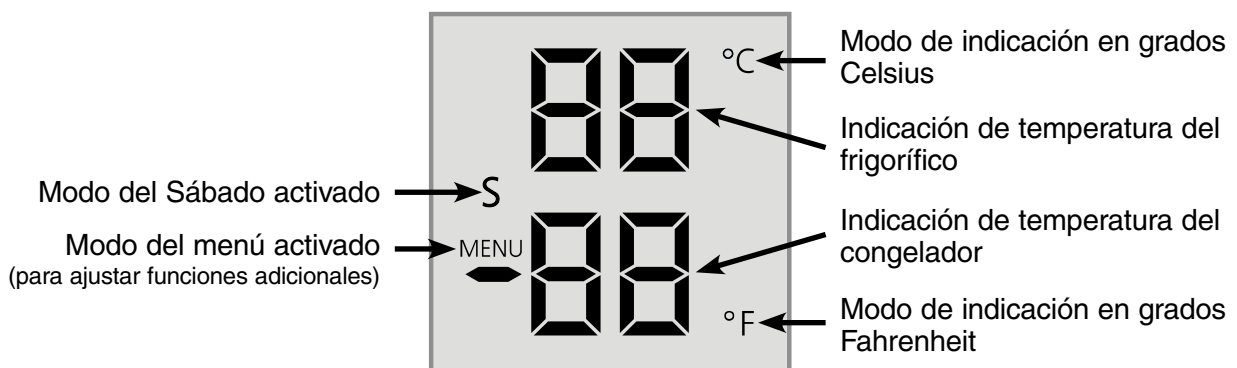


Figura 3

FUNCIONAMIENTO

Conexión/Desconexión del aparato - Figura 4

Se recomienda limpiar el aparato antes de ponerlo en servicio (véase el capítulo **Limpieza**).

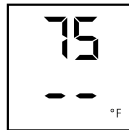
No introduzca alimentos congelados en el congelador, antes de disponerse de una temperatura mínima de 0°F (-18°C). El frigorífico y el congelador podrán funcionar con independencia el uno del otro.

1. Conexión:

Pulse el icono On/Off del frigorífico

y el icono On/Off del congelador

de modo que las respectivas indicaciones de temperatura se encienden.



Con la puerta del frigorífico abierta está encendida la iluminación interior.

2. **Desconexión:** para apagar el frigorífico o el congelador, pulse el icono On/Off correspondiente durante aproximadamente 3 segundos para que la pantalla de temperatura y las luces interiores se apaguen.

Ajuste de temperatura - Figura 4

El aparato se suministra de serie con el ajuste de temperatura para el funcionamiento normal. Se recomienda 38°F (3°C) para el frigorífico y 0°F (-18°C) para el congelador.

Bajar la temperatura (frío más intenso):

Pulse el icono DOWN de la izquierda para disminuir la temperatura del frigorífico

y el icono DOWN de la derecha

para disminuir la temperatura del congelador.

Subir la temperatura (frío menos intenso):

Pulse el icono UP de la izquierda para aumentar la temperatura del frigorífico

y el icono UP de la derecha para aumentar la temperatura del congelador.

1. Durante la selección de temperatura, el sistema indicará **el valor de ajuste parpadeando**.
2. Cuando se pulsan los iconos de ajuste de temperatura por primera vez, la pantalla muestra los valores más recientes.
3. Pueden cambiarse los valores en incrementos de 1°F (1°C) pulsando los iconos brevemente. Si los iconos se mantienen apretados los valores de temperatura cambiarán más rápidamente.
4. Aproximadamente 5 segundos después de liberar el icono, la pantalla mostrará automáticamente la temperatura de congelación o refrigeración real.
5. Los márgenes de la selección de temperatura se hallan para el
 - **frigorífico** entre 36°F y 44°F (2°C y 7°C) y para el
 - **congelador** entre -15°F y 6°F (-26°C y -14°C).

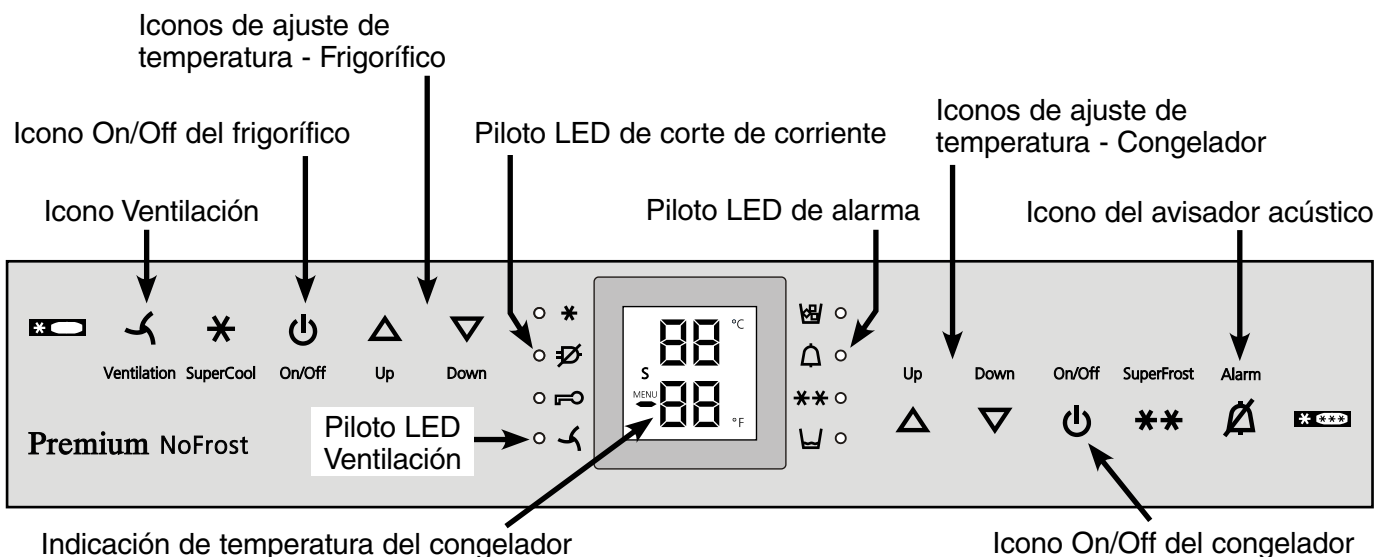


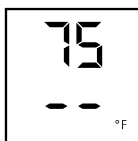
Figura 4

Indicación de temperatura - Figura 4

Con funcionamiento normal luce:

- en la pantalla para el frigorífico, la temperatura media,
- en la pantalla para el congelador, la temperatura más caliente de los productos congelados.

Cuando se inicia por primera vez o cuando el aparato está templado, la pantalla mostrará la temperatura del congelador con guiones, hasta que la temperatura en el compartimiento congelador sea de 32°F (0°C).



La indicación parpadea,

- cuando se modifica la temperatura y
- cuando la temperatura haya subido en unos grados (como advertencia de una pérdida de frío). Suele ocurrir, cuando, p. ej., al introducir alimentos a temperatura ambiente o cuando al extraer/recolocar alimentos ultracongelados entra aire caliente.
- En el caso de aparecer en la indicación "F1" hasta "F5", se trata de una anomalía del sistema. Es preciso dirigirse al Servicio Técnico, comunicando tal mensaje.



Ventilación - Figura 4

El interruptor de ventilación se usa para aire fresco recirculado:

Puede usar el interruptor según lo necesite para:

- enfriar grandes cantidades de alimentos frescos rápidamente.
- mantener la temperatura distribuida uniformemente dentro de todo el compartimiento del frigorífico. El aire circulará más intensamente, manteniendo todas las áreas diferentes del compartimiento a la misma temperatura y asegurando que todos los alimentos que contenga se enfríen a la misma temperatura.

Le recomendamos usar el ventilador si:

- la temperatura ambiente es demasiado alta (aproximadamente 95°F [35°C] o más).
- la humedad relativa del aire es alta, en temporadas de mucho calor y humedad.
- **Conexión:** pulse el icono Ventilation brevemente para encender el piloto LED .
- **Desconexión:** pulse nuevamente el icono Ventilation hasta que se apague el piloto LED .

Avisador acústico - Figura 4


Este dispositivo sirve para proteger la calidad de los alimentos almacenados en el congelador y ahorrar energía.

La señal acústica se silencia pulsando el icono del avisador acústico.

Avisador acústico de la puerta

La señal acústica se disparará siempre, cuando la puerta permanece abierta más de 180 seg. La desactivación de la señal acústica es efectiva mientras que la puerta esté abierta. Una vez cerrada, el sistema de alarma vuelve a estar automáticamente en disposición de servicio.

Avisador acústico de la temperatura

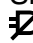
La señal acústica se disparará siempre, cuando la temperatura congeladora resulte insuficiente. La *indicación de temperatura y el piloto LED de alarma  parpadearán* al mismo tiempo.

La causa puede ser:

- la introducción de alimentos a temperatura ambiente,
- la entrada de demasiado aire del ambiente al recolocar o extraer ultracongelados
- una falla en el aparato.

La indicación de temperatura *parpadeará* hasta que se haya eliminado la situación de "alarma", cambiando el sistema del parpadeo a encendido continuo. Con ello, el avisador acústico vuelve a estar automáticamente *en disposición de servicio*.

Indicación de corte de corriente eléctrica/FrostControl - Figura 4

Si se enciende el piloto LED de corte de corriente , significa que la temperatura del congelador ha **aumentado** demasiado durante las últimas horas o días debido a una falla en el suministro eléctrico. La indicación de temperatura del congelador parpadea al mismo tiempo.

- Si pulsa el icono del avisador acústico ahora, se mostrará la temperatura más alta registrada durante la falta de corriente.
- Según el aumento de temperatura producido o incluso la descongelación de los ultracongelados, será preciso comprobar la calidad de los alimentos.
- Esta temperatura de menor frío ("la más caliente") aparecerá durante aprox. 1 minuto. Después el sistema electrónico reflejará la temperatura real del congelador.

La indicación se puede apagar pulsando de nuevo el icono del avisador acústico.

FUNCIONAMIENTO

Función SuperCool - Figura 5

Si pulsa el icono SuperCool, el compartimiento frigorífico cambia a enfriamiento máximo. Se recomienda especialmente para enfriar una mayor cantidad de alimentos, bebidas, repostería o comida recién hecha lo más rápidamente posible.

- **Conexión:** pulse el icono SuperCool brevemente para encender el piloto LED ✱. La temperatura de refrigeración baja hasta alcanzar su valor mínimo.

IMPORTANTE

SuperCool requiere un aumento del consumo energético, pero después de aprox. 6 horas el sistema electrónico cambiará automáticamente al funcionamiento normal de ahorro energético. Según necesidad, la función SuperCool podrá desactivarse anticipadamente.

- **Desconexión:** pulse nuevamente el icono SuperCool hasta que se apague el piloto LED ✱

Modo de configuración - Figura 5

En el Modo de configuración se pueden activar las funciones siguientes:

⏸ = Modo del Sábado

h = Brillo de la pantalla

□ = Modo de indicación de temperatura

⏏ = Protección contra la manipulación por parte de niños

Cómo activar el Modo de configuración:

- Pulse el icono **SuperFrost** durante aproximadamente cinco segundos.
 - El **piloto LED SuperFrost **** se enciende durante 5 segundos.
 - Después de 5 segundos, □ va a parpadear en la pantalla.

Ahora el aparato se encuentra en Modo de configuración.

Puede seleccionar las funciones del Modo de configuración pulsando los iconos **Up/Down** del compartimiento congelador.

Nota

En el Modo de configuración, la pantalla parpadeará continuamente.

Salir del Modo de configuración:

- Pulse el icono **On/Off** del compartimiento congelador. El aparato volverá a su funcionamiento normal.

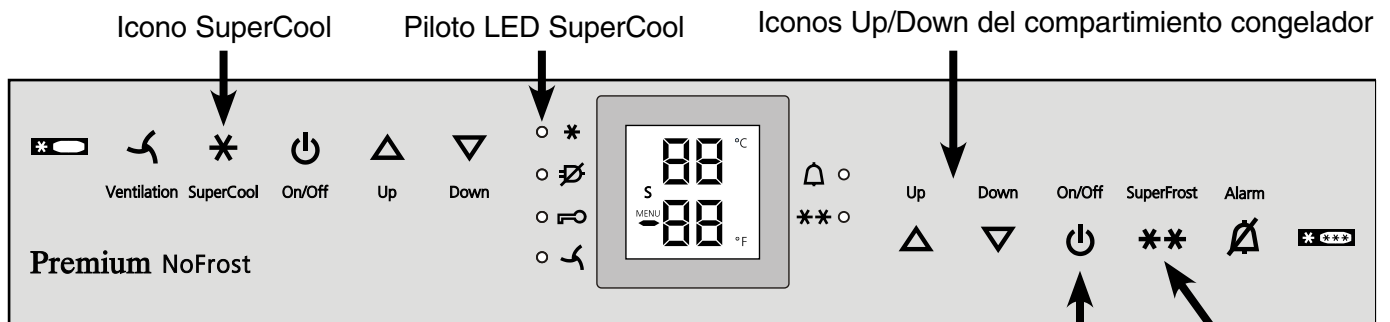


Figura 5

Icono SuperFrost

Icono On/Off del compartimiento congelador




♁ = Modo del Sábado

Esa característica toma en cuenta las exigencias religiosas del Sábado y de las Fiestas. Cuando el Modo del Sábado está activado, algunas funciones de los controles electrónicos están apagadas.

La puerta puede ser abierta y cerrada en cualquier momento.




- La iluminación queda apagada.
- El ventilador de enfriamiento queda en su estado actual: si funciona, sigue funcionando, y si está apagado, queda apagado.
- No hay alarma de puerta.
- No hay alarma de temperatura.
- Los ciclos de desescarche son independientes de la frecuencia y del tiempo de abertura de la puerta.
- El aparato va a volver al Modo del Sábado después de un apagón.

Cómo activar el Modo del Sábado

- Active el Modo de configuración pulsando el icono **SuperFrost** durante 5 segundos.
 - La pantalla muestra .
- Pulse el icono **SuperFrost**.
 - La pantalla muestra .
- Pulse de nuevo el icono **SuperFrost**.
 - La pantalla muestra .
 - El Modo del Sábado ha sido activado.
- Salga del Modo de configuración pulsando el icono **On/Off** del compartimiento congelador.


El modo del Sábado se desactiva de forma automática al cabo de 120 horas si no se desactiva antes manualmente.

Cómo desactivar el Modo del Sábado

- Active el Modo de configuración pulsando el icono **SuperFrost** durante 5 segundos.
 - La pantalla muestra .
- Pulse el icono **SuperFrost**.
 - La pantalla muestra .
- Pulse de nuevo el icono **SuperFrost**.
 - El símbolo  desaparece de la pantalla, el Modo del Sábado ha sido desactivado.
- Salga del Modo de configuración pulsando el icono **On/Off** del compartimiento congelador.

h = Brillo de la pantalla

Cómo ajustar el brillo de la pantalla

- Active el Modo de configuración pulsando el icono **SuperFrost** durante 5 segundos.
- Pulse el icono **Down del compartimiento congelador** hasta que aparezca h en la pantalla de temperatura del congelador.
- Pulse el icono **SuperFrost**.
 - La pantalla muestra .
- Pulse los iconos **Up/Down del compartimiento congelador** para seleccionar:
 - h 0 = mínimo a
 - h 5 = máximo brillo.
- Al alcanzar el valor deseado, pulse el icono **SuperFrost**.
- Salga del Modo de configuración pulsando el icono **On/Off** del compartimiento congelador.


□ = Modo de indicación de temperatura

Puede elegir la **unidad de temperatura** para que se muestre en grados Fahrenheit o en grados Celsius.

Nota

El ajuste de fábrica es en grados Fahrenheit.

Cómo cambiar la indicación de temperatura a grados Celsius

- Active el Modo de configuración pulsando el icono **SuperFrost** durante 5 segundos.
- Pulse el icono **Down del compartimiento congelador** hasta que aparezca □ en la pantalla de temperatura del congelador.
- Pulse el icono **SuperFrost**.
 - La pantalla muestra .
- Pulse de nuevo el icono **SuperFrost**.
 - Ahora se muestra la temperatura en grados Celsius.
- Salga del Modo de configuración pulsando el icono **On/Off** del compartimiento congelador.

Nota

Para cambiar nuevamente la indicación de temperatura a grados Fahrenheit, siga los pasos mencionados anteriormente.



FUNCIONAMIENTO

Modo de configuración - Figura 6

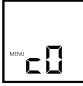

☒ = Protección contra la manipulación por parte de niños

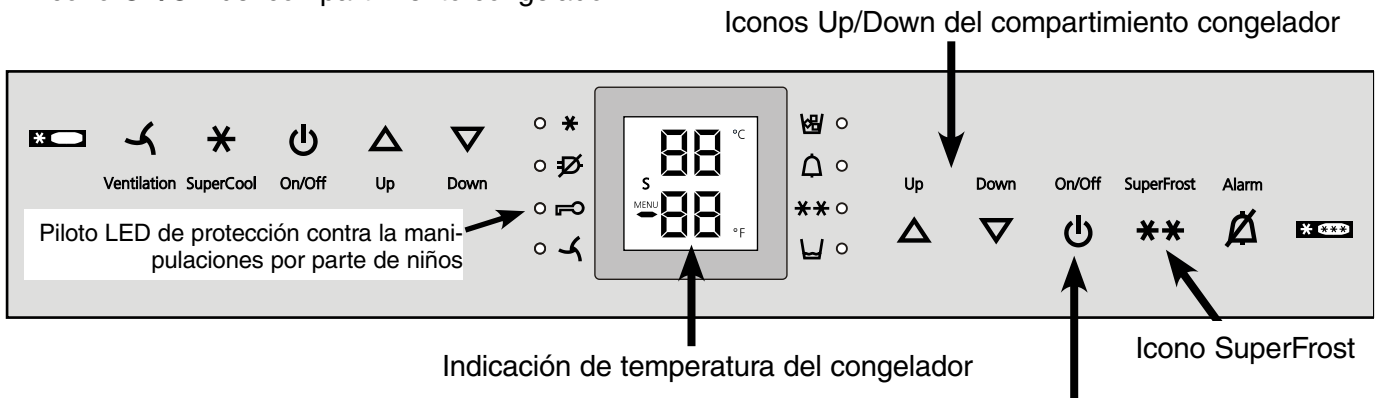
Mediante el sistema de protección contra manipulación por parte de niños podrá impedirse la desconexión no deseada del aparato

Cómo activar la protección contra la manipulaciones por parte de niños

- Active el Modo de configuración pulsando el icono **SuperFrost** durante 5 segundos.
- Pulse el icono **Down del compartimiento congelador** hasta que aparezca ☒ en la pantalla de temperatura del congelador.
- Pulse el icono **SuperFrost**.
 - La pantalla muestra 
- Pulse de nuevo el icono **SuperFrost**.
 - El piloto LED  se enciende y se activa la protección contra manipulación por parte de niños.
- Salga del Modo de configuración pulsando el icono **On/Off** del compartimiento congelador.

Cómo desactivar la protección contra la manipulaciones por parte de niños

- Active el Modo de configuración pulsando el icono **SuperFrost** durante 5 segundos.
- Pulse el icono **Down del compartimiento congelador** hasta que aparezca ☒ en la pantalla de temperatura del congelador.
- Pulse el icono **SuperFrost**.
 - La pantalla muestra 
- Pulse de nuevo el icono **SuperFrost**.
 - El piloto LED  se apaga. La protección contra manipulación por parte de niños ha sido desactivada.
- Salga del Modo de configuración pulsando el icono **On/Off** del compartimiento congelador.



COMPARTIMIENTO FRIGORÍFICO

Reparto de los alimentos - Figura 7

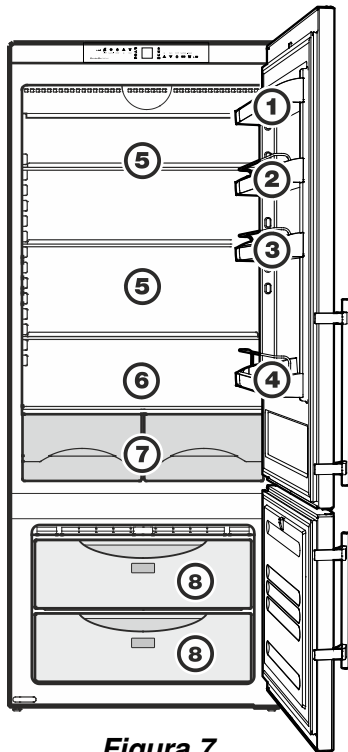


Figura 7

- (1) Mantequilla, queso
- (2) Huevos
- (3) Bebidas, latas
- (4) Contenedores de un volumen de 1 galón, botellas
- (5) Carne, embutido, productos lácteos
- (6) Pan, repostería, alimentos precocinados
- (7) Fruta, verdura, lechuga
- (8) Alimentos congelados

IMPORTANTE

- Guarde los alimentos que desprenden/ absorben olores/sabores, así como líquidos en recipientes tapados.
- Almacene el alcohol de muchos grados tan sólo herméticamente cerrado y en posición vertical.
- Fruta, verdura y lechuga pueden almacenarse en los cajones sin embalaje.

Dotación

⚠ ADVERTENCIA

Para evitar posibles lesiones, ajuste únicamente baldas o estantes en la cara interior de la puerta, que estén vacíos. No intente ajustar una balda o un estante en la cara interior de la puerta, que tenga alimentos.

Las baldas y los estantes de la cara interior de la puerta son modificables en altura según conveniencia.

Desplazar los estantes (cara interior de puerta) - Figura 8

Levante el estante de su posición, extráigalo hacia adelante y vuelva a colocarlo a la inversa.

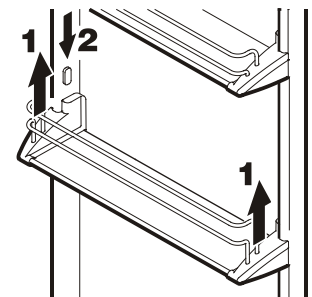


Figura 8

Desplazar las baldas - Figura 9

1. Sostenga la balda con la mano para evitar que se vuelque hacia atrás al extraerla.
2. Levante el frente de la balda.
3. Extraiga la balda hacia adelante hasta que el recorte circular de la balda esté en línea con los apoyos delanteros.
4. Levante o baje la balda y colóquela en la posición deseada.

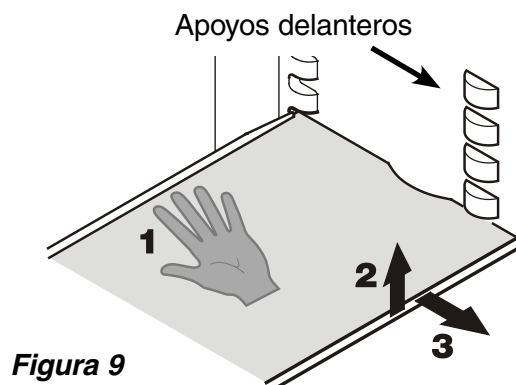


Figura 9

COMPARTIMIENTO FRIGORÍFICO

Extracción de las baldas - *Figura 10*

1. Siga los tres primeros pasos del capítulo anterior.
2. Baje la balda y deténgase justo sobre el cajón para fruta/verdura superior.
3. Mueva el frente de la balda hacia arriba hasta que se encuentre en posición vertical.
4. Gire la balda 90° en sentido antihorario y retírela.



ADVERTENCIA

Para evitar que se caiga, siempre sostenga la balda con ambas manos al extraerla.

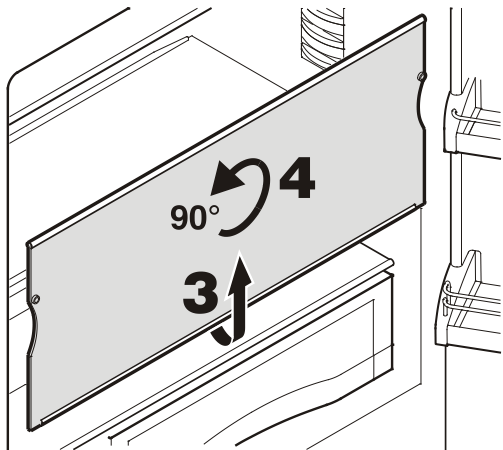


Figura 10

Iluminación interior

La iluminación interior se apaga automáticamente, cuando la puerta permanece abierta aprox. 15 minutos.

Si no se encendiera al abrir la puerta brevemente, pero si la indicación de temperatura estuviera encendida, se trata de una(s) lámpara(s) defectuosa(s).

La iluminación con dos lámparas se encuentra detrás de la tapa en la parte superior del frigorífico.

IMPORTANTE

Solo se puede utilizar la lámpara LED original del fabricante, que se puede adquirir a través del Servicio Técnico o de un distribuidor especializado.



¡ADVERTENCIA!

Si se utilizan otras lámparas LED existe peligro de sobrecalentamiento y de incendio.

Sustitución de la lámpara:



¡ADVERTENCIA!

Para prevenir posibles heridas debidas a una electrocución, asegúrese de desconectar el cable de alimentación o de apagar el disyuntor antes de sustituir la(s) lámpara(s) de la iluminación interior.



¡PRECAUCIÓN!

Para prevenir posibles heridas debidas a cristales rotos, use algún tipo de protección en las manos cuando sustituya la(s) lámpara(s) de la iluminación interior.

COMPARTIMIENTO FRIGORÍFICO

1. Desenclave la cubierta cuidadosamente por el lado izquierdo, medio y derecho con ayuda de un destornillador - **Figura 11**.

Retire la cubierta.

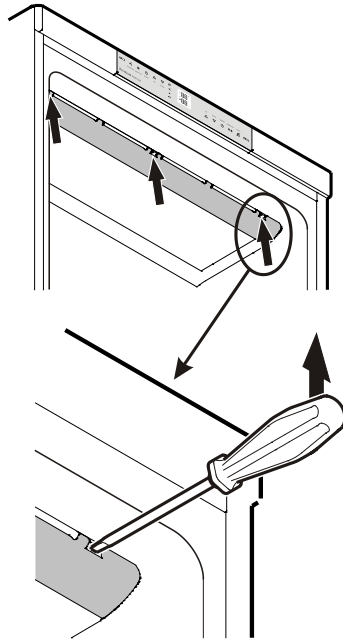


Figura 11

2. Retire la placa de vidrio - **Figura 12**.

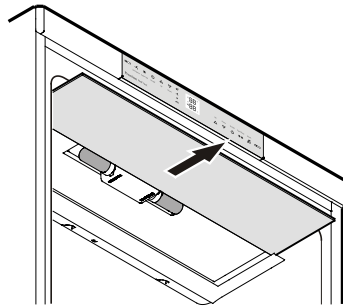


Figura 12

3. Retire la lámpara defectuosa. Asegúrese de que la junta (**Figura 13**) está colocada en la nueva lámpara antes de instalarla.
4. Instale la placa de vidrio y la cubierta.

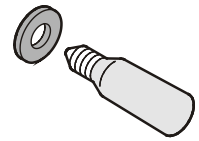


Figura 13

IMPORTANTE

La placa de vidrio debe insertarse completamente en la parte trasera, de lo contrario no es posible ajustar la cubierta en su lugar correctamente.

COMPARTIMIENTO CONGELADOR

Congelación

El proceso de congelación total de los alimentos frescos tiene que ser rápido. Para este cometido sirve la función SuperFrost. Tan sólo así se conservarán las riquezas alimenticias, el color y sabor natural de los alimentos.

Congelar con SuperFrost - Figura 14

- Pulse el icono **SuperFrost** brevemente de modo que se encienda el piloto LED ******.
- Espere 24 horas.
- Coloque a continuación los alimentos frescos en el congelador.
- La función SuperFrost se desactivará automáticamente según la cantidad de alimentos introducidos y -como muy pronto- después de 30 horas o -como muy tarde- pasadas 65 horas.

Una vez concluido el proceso congelador (el piloto LED ****** de SuperFrost se apaga), el congelador vuelve a su funcionamiento normal de ahorro energético.

IMPORTANTE

No es necesario activar la función SuperFrost

- al introducir alimentos ultracongelados,
- al congelar a diario pequeñas cantidades de alimentos frescos de hasta aprox. 4-1/2 lbs (2 kg).

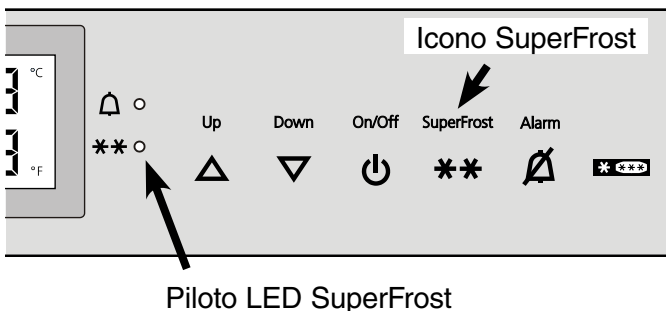


Figura 14

Congelar y almacenar

- Embale los alimentos ultracongelados en bolsas de plástico especiales para la congelación de alimentos o recipientes reutilizables de material sintético o de metal (aluminio).
- Hay que procurar que los alimentos recién introducidos no contacten con los productos ultracongelados. Los envases tienen que estar exteriormente secos, para evitar que queden “pegados” entre sí.
- Para evitar el deterioro de los alimentos, marque los envases con fecha y contenido. ¡No pase nunca de las fechas tope de caducidad recomendadas!
- Los alimentos de congelación casera siempre deberán envasarse en raciones apropiadas de acuerdo con las necesidades de cada caso. A fin de que la congelación se realice con la mayor rapidez posible, hay que atenerse a las siguientes cantidades máximas por envase:
 - Fruta, verdura = hasta 2-1/4 lbs (1 kg)
 - Carne = hasta 5-1/2 lbs (2,5 kg)
- No congele jamás latas o botellas con bebidas gaseosas, ya que reventarían. ¡Al enfriar bebidas rápidamente, las botellas han de sacarse del congelador a la hora de haberlas introducido!
- Extraiga solamente la cantidad que se necesitará realmente. Elabore los alimentos descongelados lo más rápidamente posible, preparando platos de consumo inmediato o precocinados. Existen varios procedimientos de descongelación:
 - en el horno microondas
 - en el frigorífico: es el procedimiento de descongelación lo más seguro porque la posibilidad de generación de gérmenes es reducida al mínimo. Este procedimiento se recomienda para alimentos de alta densidad, p. ej. asados o aves.

Desescarche

Frigorífico:

El frigorífico está equipado con un sistema de desescarche automático. La humedad que se forma en la pared de fondo será conducido por un sistema evacuador a un recipiente, donde evapora debido al calor generado por el compresor.

Congelador:

El sistema NoFrost se encarga del desescarche automático del congelador. La humedad procedente del proceso de desescarche, que se adhiere al evaporador, será descongelada periódicamente y evaporada.

Limpieza



ADVERTENCIA

- Para prevenir posibles heridas debidas a una electrocución, asegúrese de desconectar el cable de alimentación o de apagar el disyuntor antes de limpiar el aparato.
- No emplee aparatos de limpieza a vapor. ¡Peligro de daños personales y materiales!
- Para evitar cortocircuitos, asegúrese de que no penetre agua en los componentes eléctricos mientras limpia el aparato. No utilice una esponja o trapo demasiado mojado.
- Limpie las superficies de las puertas sólo con un paño limpio, suave, y en caso necesario, ligeramente humedecido (agua + detergente). También se puede utilizar opcionalmente una toalla de microfibras.

No utilice esponjas y productos de efecto abrasivo, ni concentrados, ácidos o disolventes químicos.

- Retire todos los alimentos del frigorífico y del congelador y guárdelos en un lugar fresco y seco provisoriamente. Guarde los alimentos congelados en otro congelador si fuera posible.
- Retire los estantes de la cara interior de la puerta según se muestra en la **Figura 8**.
- Retire las baldas de vidrio según se muestra en la **Figura 9-10**.
- Retire los cajones para fruta/verdura.
- Limpie los elementos de la dotación del aparato a mano con agua tibia y detergente para lavavajillas.



PRECAUCIÓN

No limpie los elementos de la dotación en un lavavajillas. Los listones embellecedores de estos elementos podrían aflojarse.

- Limpie el interior del frigorífico y de los cajones del congelador con agua tibia y detergente para lavavajillas.

- Limpie el orificio del tubo evacuador.

Elimine los restos con un objeto delgado, como por ejemplo un bastoncillo de algodón (**Figura 15**).

IMPORTANTE

Si el tubo evacuador queda taponado, el agua rebosará dentro del compartimiento frigorífico.

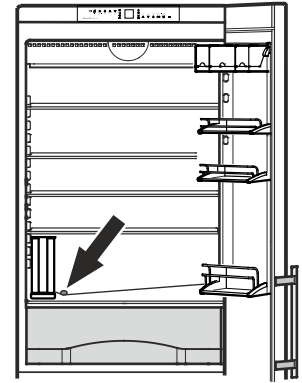


Figura 15

- Seque el aparato con un paño.
- **No** deteriore, ni quite la placa del modelo en el costado interior del aparato. Es de suma importancia para el Servicio Técnico.

Consejos para las vacaciones

Vacaciones cortas:

No es necesario desconectar el frigorífico y el congelador si va a estar fuera menos de cuatro semanas.

- Gaste todos los productos perecederos.
- Congele el resto de productos.

Vacaciones largas:

Si va a estar fuera de casa durante un mes o más:

- Extraiga todos los alimentos de los compartimentos frigorífico y congelador.
- Desconecte el frigorífico y el congelador.
- Limpie el aparato. Remítase el capítulo **Limpieza**.
- Deje la puerta abierta para evitar que se produzcan olores desagradables. Esto también impedirá que se forme moho.

¿ANOMALÍAS - PROBLEMAS?

Si hubiera un problema durante el funcionamiento, revise si se debe a error operativo.

Nótese que incluso durante el período de garantía, algunos costos de reparación pueden ser de su responsabilidad. Las anomalías descritas a continuación las podrá solucionar el usuario mismo, comprobando las posibles causas:

Anomalía	Posible causa y solución
El aparato no funciona, la pantalla está apagada	<ul style="list-style-type: none"> - ¿Está el aparato encendido correctamente? - ¿Ajusta bien la clavija del enchufe? - ¿Está el disyuntor o el fusible en perfectas condiciones?
La iluminación interior no se enciende	<ul style="list-style-type: none"> - ¿Está el aparato encendido? - ¿Ha permanecido la puerta abierta más de 15 minutos?
Ruido fuerte al funcionar	<ul style="list-style-type: none"> - ¿Se halla el aparato firmemente emplazado en el suelo o se transmiten vibraciones a los muebles/electrodomésticos colindantes? Si es necesario, mueva un poco el aparato, alinéelo mediante las patas regulables o ajuste las botellas y los recipientes.
El motor parece funcionar demasiado tiempo	<ul style="list-style-type: none"> - ¿Es demasiado alta la temperatura ambiente? Consulte el capítulo Reglamentaciones de seguridad. - ¿Se ha abierto el aparato con demasiada frecuencia o durante mucho tiempo? - ¿Se han introducidos grandes cantidades de alimentos frescos? - El aparato está en modo SuperCool. Verifique que esté en el modo normal de funcionamiento.
La temperatura no es suficientemente baja	<ul style="list-style-type: none"> - ¿Se ha seleccionado la temperatura adecuada? Consulte el capítulo Ajuste de temperatura. - ¿Se han introducido grandes cantidades de alimentos frescos? - ¿Indica el termómetro complementario colocado en el aparato el valor correcto? - ¿Es suficiente la entrada y salida de aire de ventilación? - ¿Está el lugar de emplazamiento demasiado cerca de una fuente de calor?
La indicación de temperatura del congelador muestra dos guiones - -	<p>La indicación de temperatura del congelador sólo mostrará temperaturas que estén por debajo del punto de congelación. Cuando se inicia por primera vez el congelador, el aparato no estará por debajo del punto de congelación. Tardará entre tres y cinco horas (dependiendo de las condiciones ambientales) en alcanzar temperaturas de congelación y que, por lo tanto, las muestre en números. Esto también puede suceder después de una falla en el suministro eléctrico.</p>
Se forman gotas de agua o hielo en la pared de fondo del compartimiento frigorífico.	<p>Es totalmente normal. Durante el proceso de refrigeración, la humedad existente en el compartimiento frigorífico se condensa en la pared de fondo y se congela. En los periodos en los que el compresor no esté en funcionamiento, la capa de hielo se descongelará. El condensado que se forma en la pared de fondo se drenará a través del tubo evacuador del agua de desescarche para evaporación.</p>

¿ANOMALÍAS - PROBLEMAS?

Servicio Técnico - Figura 16

En el caso de no darse ninguna de las anomalías anteriormente descritas y Vd. no haya conseguido eliminar la anomalía lo que significa un error funcional, es preciso dirigirse al Servicio Técnico más próximo (véase relación adjunta).

Indique el **mensaje de error** y

el modelo ①,

el código de servicio ② y

el número de aparato/serie ③

que figuran en la placa del modelo. Estos datos contribuyen a que el Servicio Técnico pueda ser más rápido y eficaz. La placa del modelo se encuentra en el costado interior izquierdo del aparato.

Deje cerrado el aparato hasta que llegue el Servicio Técnico, para evitar más pérdida de frío.

Informaciones sobre el aparato

Apunte los presentes datos durante la instalación del aparato.

Modelo: _____

Código de servicio: _____

Número de aparato/serie: _____

Fecha de compra: _____

Lugar de compra: _____

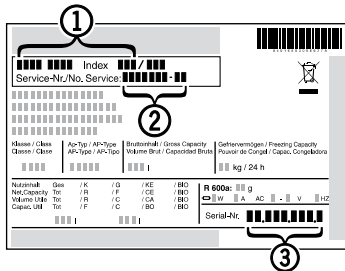


Figura 16

GARANTÍA

PLAN DE GARANTÍA LIEBHERR

GARANTÍA TOTAL DE DOS AÑOS

Durante dos años a partir de la fecha original de compra, su garantía Liebherr cubre todas las piezas y mano de obra para reparar o sustituir cualquier parte del producto defectuosa en materiales o fabricación.

GARANTÍA TOTAL DE CINCO AÑOS

Durante cinco años a partir de la fecha original de compra, su garantía Liebherr cubre todas las piezas y mano de obra para reparar o sustituir cualquier componente del producto defectuoso en materiales o fabricación, del sistema hermético. El "Sistema Hermético" se refiere sólo al compresor, condensador, evaporador, secador y todas las tuberías de conexión.

GARANTÍA LIMITADA DESDE EL SEXTO AL DOCEAVO AÑO

Desde el sexto al doceavo año a partir de la fecha original de compra, su garantía Liebherr cubre todas las piezas defectuosas en materiales o fabricación, del sistema hermético (sólo piezas).

CONDICIONES APLICABLES A TODAS LAS GARANTÍAS

Todos los servicios proporcionados por Liebherr bajo la garantía deben ser efectuados por representantes autorizados de Liebherr, a menos que Liebherr lo especifique de otro modo. El servicio será efectuado en el hogar durante las horas comerciales normales. Esta garantía sólo es aplicable para los productos instalados para uso doméstico normal. Los detalles sobre las garantías no residenciales están disponibles a su petición.

Esta garantía es aplicable sólo a los productos instalados en Canadá y en cualquiera de los cincuenta estados de Estados Unidos o en el Distrito de Columbia. Esta garantía no cubre piezas ni mano de obra para corregir defectos causados por negligencia, accidente o uso, mantenimiento, instalación, servicio o reparación indebidos, incluido aunque no limitado al traslado y reinstalación inadecuados de la unidad de condensación.

LAS GARANTÍAS DESCRITAS MÁS ARRIBA SE HAN ESTABLECIDO EXPRESAMENTE EN LUGAR DE CUALESQUIERA OTRAS GARANTÍAS, EXPRESAS O IMPLÍCITAS, INCLUYENDO CUALQUIER GARANTÍA IMPLÍCITA DE COMERCIALIZACIÓN O IDONEIDAD PARA UN PROPÓSITO PARTICULAR, Y CUALQUIER OTRA OBLIGACIÓN O RESPONSABILIDAD POR PARTE DE LIEBHERR. EN NINGÚN CASO LIEBHERR SERÁ RESPONSABLE DE POSIBLES DAÑOS ESPECIALES, INCIDENTALES O RESULTANTES DERIVADOS DEL INCUMPLIMIENTO DE ESTAS GARANTÍAS O DE CUALESQUIERA OTRAS GARANTÍAS YA SEAN EXPRESAS, IMPLÍCITAS O LEGALES.

Algunos estados no permiten excluir ni limitar daños imprevistos o consecuenciales, de tal modo que la anterior limitación o exclusión puede no ser aplicable para usted. Esta garantía le otorga derechos legales específicos y usted puede tener además otros derechos que varían de estado a estado.

Para recibir piezas y/o servicio y el nombre del representante autorizado de Liebherr más próximo a usted, póngase en contacto con su distribuidor Liebherr o con el proveedor de servicio nacional Liebherr designado:

Para EE.UU.: Service-appliances.us@liebherr.com o llame al 1-866-LIEBHER o al 866-543-2437.

Para Canadá: www.euro-parts.ca o llame al 1-888-LIEBHER o al 1-888-543-2437.

For Service in the U.S.

Liebherr Service Center

Toll Free: **1-866-LIEBHER** or **1-866-543-2437**

Email: Service-appliances.us@liebherr.com

PlusOne Solutions, Inc.

3501 Quadrangle Blvd, Suite 120

Orlando, FL 32817

For Service in Canada

Liebherr Service Center

Toll Free: **1-888-LIEBHER** or **1-888-543-2437**

www.euro-parts.ca

EURO-PARTS CANADA

39822 Belgrave Road

Belgrave, Ontario, N0G 1E0

Phone: (519) 357-3320

Fax: (519) 357-1326