

LIEBHERR

Use and Care Manual

Combined fridge-freezer,
freestanding/semi built-in



CS 1311 / CS 1360
090616 7085514 - 02

The appliance at a glance

Contents

1	The appliance at a glance.....	2
1.1	Additional benefits.....	2
1.2	Overview of the appliance and its equipment...	3
1.3	Range of appliance use.....	3
1.4	Conformity.....	3
1.5	Installation dimensions	4
1.6	Energy saving.....	4
1.7	Example of food arrangement.....	4
2	General safety information.....	4
3	Controls and displays.....	5
3.1	Operating and control elements.....	5
3.2	Temperature display.....	6
4	Start-up.....	6
4.1	Transporting the appliance.....	6
4.2	Setting up the appliance.....	6
4.3	Changing the door hinges.....	7
4.4	Side-by-side installation.....	11
4.5	Water connection.....	14
4.6	Installation into a fitted kitchen.....	15
4.7	Anti-tip device.....	15
4.8	Installing the water filter.....	15
4.9	Disposal of packaging.....	17
4.10	Connecting the appliance.....	17
4.11	Switching on the appliance.....	18
5	Operation.....	18
5.1	Temperature display unit.....	18
5.2	Brightness of the temperature display.....	18
5.3	Child-proof lock.....	19
5.4	Door alarm.....	19
5.5	Temperature alarm.....	19
5.6	Sabbath Mode.....	19
5.7	Fridge compartment.....	20
5.8	Freezer compartment.....	22
6	Maintenance.....	24
6.1	Replacing the water filter.....	24
6.2	Defrosting with NoFrost.....	25
6.3	Cleaning the appliance.....	25
6.4	Cleaning the IceMaker.....	26
6.5	Customer service.....	26
6.6	Appliance Information.....	26
7	Troubleshooting.....	27
8	Putting appliance out of service.....	30
8.1	Vacation Tips.....	30
8.2	Switching off the appliance.....	30
8.3	Decommissioning	30
9	Disposing of the appliance.....	30
10	Liebherr Warranty Plan.....	31

Congratulations on the purchase of your new appliance. With this purchase, you have chosen all the advantages of the latest refrigeration technology, guaranteeing you a high-quality appliance with a long life span and high operating safety.

The equipment of your appliance gives you the highest level of day-to-day ease of operation.

Together we are making an active contribution to the conservation of our environment by purchasing this appliance which is manufactured in an environmentally friendly process with the use of recyclable materials.

We hope you enjoy your new appliance.

The manufacturer is constantly working to improve all models. Therefore please understand that we reserve the right to make design, equipment and technical modifications.

To get to know all the benefits of your new appliance, please read the information contained in these instructions carefully.

The instructions apply to several models, so there may be differences. Sections which only apply to certain appliances are indicated with an asterisk (*).

Instructions for action are marked with a ►, the results of action are marked with a ▷.

1 The appliance at a glance

1.1 Additional benefits

- CFC free
- Energy-optimized refrigerant circuit
- Energy-efficient insulation
- Low energy consumption
- User-friendly electronic controls
- Active function indicators
- Temperature can be controlled in the appliance independent of ambient conditions according to its climate rating - Temperature can be displayed as °C or °F
- The appliance defrosts automatically - no need to spend time defrosting
- Large refrigeration capacity
- Safety glass storage shelves
- Adjustable door shelves for tall bottles
- Large freezing capacity
- Shelves can be removed to make space for large items.
- Freezer over-temperature alarm
- Quick-freeze feature for fresh food (SuperFrost)
- Frozen food temperature indicator
- Power failure/"frost-control" display
- All freezer drawers suitable for quick-freeze
- Bright LED interior light
- Door ajar alarm
- Handle grips on all extra-large drawers for easy transport
- Integrated transport grips on appliance housing
- Transport castors at back
- Easy to clean
- Door hinges can be reversed

- This unit is certified as Sabbath compliant by the Star-K organization thus allowing the appliance to be used during religious holidays. For more information please visit Star-K on the web at www.star-k.org.



1.2 Overview of the appliance and its equipment

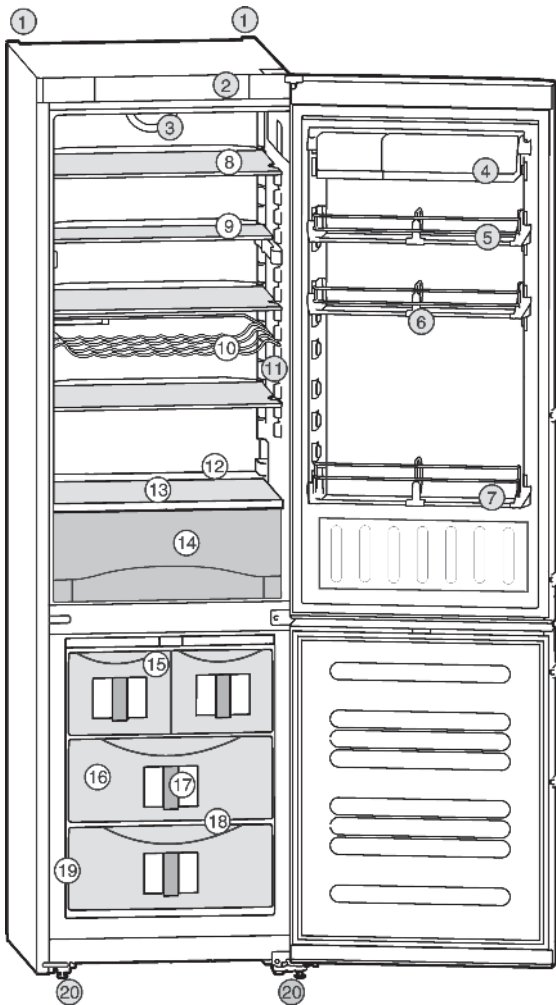


Fig. 1

- | | |
|------------------------------------|---|
| (1) Rear transport handles | (11) Interior light |
| (2) Operating and control elements | (12) Drain hole |
| (3) Fan | (13) Coldest zone |
| (4) Container shelf | (14) Vegetable drawer |
| (5) Door rack, moveable | (15) IceMaker* |
| (6) Bottle partition, adjustable | (16) Freezer compartment |
| (7) Gallon-capacity rack | (17) InfoSystem |
| (8) Shelf, moveable | (18) VarioSpace |
| (9) Shelf, can be split | (19) Rating plate |
| (10) Bottle shelf | (20) Adjustable feet, front transport handles, rear transport castors |

1.3 Range of appliance use

Normal use

The appliance is only suitable for cooling food for residential or other similar environments. This includes the following types of uses

- in staff kitchens, bed and breakfasts,
- by guests in country homes, hotels, motels and other types of accommodations,
- for catering and similar wholesale services.

All other types of uses are not permitted.

Foreseeable misuse

The following uses are specifically prohibited:

- Storage and cooling of medication, blood plasma, laboratory preparations or similar substances and products in accordance with the CMDCAS and FDA 510(k)
- Use in areas at risk of explosion

Incorrect appliance use can cause damage to the stored products or cause them to spoil.

Climate ratings

The appliance is set to operate within specific ambient temperature limits according to its climate rating. The climate rating for your appliance is printed on the rating plate.

Note

► To guarantee trouble-free operation, comply with the indicated ambient temperatures.

Climate rating	for ambient temperatures from
SN	50 °F (10 °C) to 90 °F (32 °C)
N	61 °F (16 °C) to 90 °F (32 °C)
ST	61 °F (16 °C) to 101 °F (38 °C)
T	61 °F (16 °C) to 110 °F (43 °C)

1.4 Conformity

The refrigerant circuit has been tested for leaks. The appliance complies with the relevant safety regulations and the directives UL250 and CAN/CSA C22.2 No.63-93.

General safety information

1.5 Installation dimensions

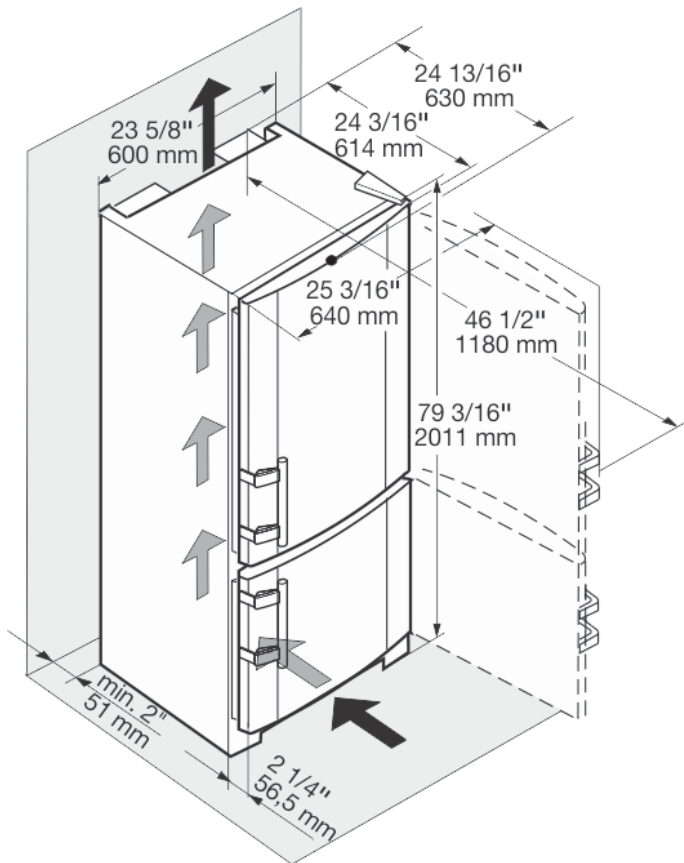


Fig. 2

1.6 Energy saving

- Always ensure good ventilation. Do not obstruct ventilation openings or grilles.
- Do not install the appliance in direct sunlight or next to an oven, heater, or similar heat source.
- Energy consumption depends on installation conditions such as the ambient temperature (see 1.3) . If the ambient temperature differs from the standard temperature of 25 °C, energy consumption can change.
- Avoid opening the appliance door for any longer then necessary
- The lower the temperature is set the higher the energy consumption.
- Store food logically (see The appliance at a glance).
- All food stored in the appliance should be well wrapped and covered. This prevents frost buildup.
- Only take food out for as long as necessary so that it does not get too warm.
- Insertion of warm foods: first let the food cool down to room temperature.
- Defrost frozen food in the fridge

Dust deposits increase energy consumption:

- Once a year the dust should be removed from the refrigerating machine and the heat exchanger metal grid at the back of the appliance



1.7 Example of food arrangement

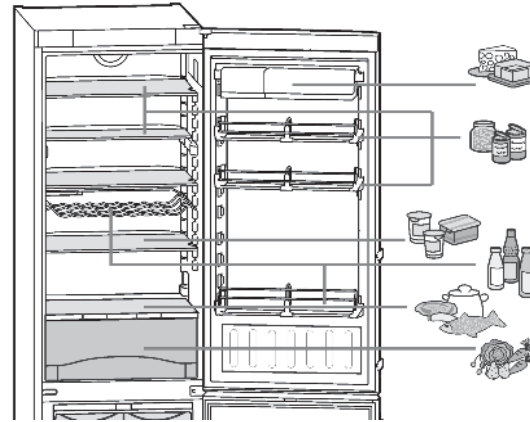


Fig. 3

2 General safety information

Read and follow these instructions. They contain safety advice which is important for safe and problem-free installation and operation. Always read and follow the safety advice.

Dangers for the user:

- This appliance can be operated by children 8 years and older as well as by persons with reduced physical, sensory or mental capabilities or lack of experience and knowledge if they are supervised or have been instructed in the safe use of the appliance and understand the associated risks. Children must not play with the appliance. Cleaning and user maintenance must not be performed by children unless they are supervised.
- When disconnecting the appliance from the outlet, always take hold of the plug. Do not pull on the cable.
- Disconnect the power plug or switch off the power if a fault occurs.
- Do not damage the mains power line. Do not operate the appliance from a defective mains power line.
- Repairs, work on the appliance and replacement of the power cord should only be carried out by the customer service department.

- The appliance should only be assembled, connected and disposed of in accordance with the instructions.
- Please keep the instructions and pass them on to any future owner.
- All repairs to or work on the IceMaker must only be carried out by the customer service department or other specialist engineers trained to do this.*
- The manufacturer is not liable for damage arising from incorrect connection to the water supply.*

Risk of fire:

- Do not operate the appliance near explosive gases.
- Do not store explosive materials or spray cans with flammable propellants, such as e.g. butane, propane, pentane, etc. in the appliance. You can recognize such spray cans by the printed contents or a flame symbol. Any leaking gasses can be ignited by electrical components.
- Keep burning candles, lamps and other objects with open flames away from the appliance so that they do not set it on fire.
- Alcoholic beverages or other containers holding alcohol must always be tightly sealed for storage purposes. Any leaking alcohol can be ignited by electrical components

Tipover hazard:

- Do not stand or climb on the base, drawers, doors, etc. This applies in particular to children.

Risk of food poisoning:

- Do not consume food that has passed its best before date.

Danger of frostbite, feelings of numbness and pain:

- Avoid continued skin contact with the cold surfaces or chilled/frozen food or adopt protective measures, e. g. use gloves. Do not consume ice cream (especially sherbets) and ice cubes immediately when they are too cold.

Risk of injury and damage:

- Hot steam may lead to injuries. Do not use any electrical heating or steam cleaning equipment, naked flames or defrosting sprays for defrosting
- Do not remove ice with sharp objects


Risk of crushing:

- Do not hold onto the hinge when opening and closing the door. Fingers may get caught.




California Proposition 65

- This product contains chemicals known to the state of California to cause cancer or reproductive harm.

Symbols on the device:

	The symbol can be on the compressor. It refers to the oil in the compressor and refers to the following danger: Can be lethal if swallowed or inhaled. This notice only applies for recycling. There is no danger during normal operation.
---	--

Follow the specific instructions in the other sections:

	DANGER	indicates a hazardous situation, which if not avoided, will result in death or serious injury.
	WARNING	indicates a hazardous situation, which if not avoided, could result in death or serious injury.
	CAUTION	indicates a hazardous situation, which if not avoided, will result in minor or moderate injury.
	NOTICE	indicates a hazardous situation, which if not avoided, could result in damage to property.
	Note	indicates useful advice and tips.

3 Controls and displays

3.1 Operating and control elements

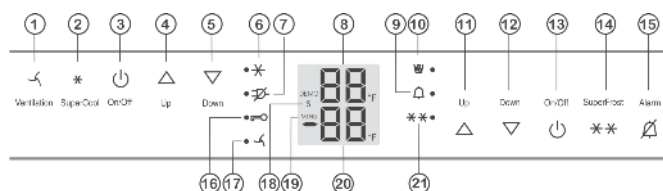


Fig. 4

- | | |
|--------------------------------------|--|
| (1) Ventilation button | (12) Freezer compartment Down button |
| (2) SuperCool button | (13) Freezer compartment On/Off button |
| (3) Fridge compartment On/Off button | (14) SuperFrost button |
| (4) Fridge compartment Up button | (15) Alarm button |
| (5) Fridge compartment Down button | (16) Child lock symbol |
| (6) SuperCool symbol | (17) Ventilation symbol |
| (7) Power failure symbol | (18) Sabbath mode symbol |

Start-up

- | | |
|--|--|
| (8) Fridge compartment temperature display | (19) Menu symbol |
| (9) Alarm symbol | (20) Freezer compartment temperature display |
| (10) IceMaker symbol* | (21) SuperFrost symbol |
| (11) Freezer compartment Up button | |



The touch point is located between the symbol and the symbol label.

3.2 Temperature display

The following is displayed in normal operation:

- the highest freezer temperature
- the average fridge temperature


The freezer compartment temperature display is flashing:

- the temperature setting has been changed
- after switch-on the temperature is not yet cold enough
- the temperature has risen several degrees

Dashes are shown on the display:

- the freezer temperature is above 32 °F (0 °C).

The following displays indicate malfunction. Possible causes and corrective actions: (see Troubleshooting).

- F0 through F9
- FE*
- The power failure symbol LED  flashes.

4 Start-up

4.1 Transporting the appliance



CAUTION

Risk of injury or damage if incorrectly transported.

- ▶ Transport the appliance in its packaging.
- ▶ Transport the appliance upright.
- ▶ Do not move the appliance on your own.

4.2 Setting up the appliance



WARNING

Risk of fire due to moisture!

If live parts or the power cord get wet, this can cause a short circuit.

- ▶ The appliance is designed for use in enclosed spaces. Do not operate the appliance in open space or in damp areas or where there is spray.



WARNING

Risk of fire due to short circuit.

If the power cable or plug of the appliance or another appliance and the back of the appliance touch each other the power cable or plug will be damaged by the vibrations of the appliance which could lead to a short circuit.

- ▶ Install the appliance so that it does not touch any plugs or power cables.
- ▶ Do not connect the appliance or other appliances to the sockets on the back of the appliance.



WARNING

Danger of fire and damage!

- ▶ Do not place devices that give off heat, e.g. microwaves, toasters, etc. on the appliance.



CAUTION

Risk of personal injury!

- ▶ Have two people move this appliance into place.



WARNING

Danger of fire and damage due to blocked ventilation openings!

- ▶ Never block the ventilation openings. Always ensure good ventilation!

NOTICE

Risk of damage caused by condensation

Installing the appliance next to any other refrigerator or freezer can cause condensation or damage to the Liebherr appliance.

- ▶ Do not install this appliance next to any other refrigerator or freezer except another Liebherr model. Liebherr models are designed to allow side-by-side installation. They are equipped with a heating system to eliminate condensation when refrigerators or freezers are installed side-by-side.

NOTICE

Risk of damage for the finished floor surface!

- ▶ Protect the finished floor surface before you uncrate the unit.

Verify that:

- The floor under the appliance is flat and level.
- The floor can support the appliance's weight plus approximately 1200 pounds (544 kg) of food weight.
- The appliance is not placed in direct sunlight or near the stove, range top, radiators and similar heat sources.
- ▶ Examine the unit and packaging for shipping damage. Contact the carrier immediately if you suspect there is any damage.

- ▶ Note the type (model, number), index, appliance/serial number, date of purchase and where purchased (see 6.6) .
- ▶ Remove anything attached to the rear or side walls of appliance that would prevent proper installation or impede proper ventilation.
- ▶ Remove the protective film from the outside of the appliance.

NOTICE

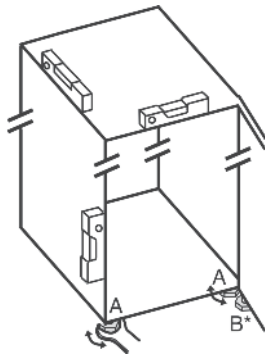
The stainless steel doors are treated with a high-grade surface coating and must not be cleaned with the supplied cleaning agent.



This would damage the surface coating.

- ▶ Wipe the coated **door surfaces** using a soft, clean cloth only.
- ▶ Apply a stainless steel cleaner only to the **stainless steel side walls** evenly, wiping with the grain. Subsequent cleaning becomes easier as a result.
- ▶ Wipe **painted side walls** with a clean, soft cloth only.

- ▶ Align the appliance so that it stands firmly and on a level by applying the accompanying spanner to the adjustable-height feet (A) and using a spirit level.
- ▶ Then support the door: Extend the adjustable foot at the turn hinge (B) until it rests on the floor and then make a further 90° turn.



Note

- ▶ Clean the appliance (see 6.3) .

If the appliance is set up in humid areas, condensation may build on the outside of the appliance.

- ▶ Always ensure proper ventilation.

Note

If the gap between the rear of the appliance and the wall is less than 2 in. (51 mm), the power consumption level may increase.

4.3 Changing the door hinges

You can reverse the door hinges, if necessary:

Make sure you have the following tools on hand:

- Torx® 25
- Torx® 15
- Screwdriver
- Cordless screwdriver, if necessary
- Another person to help with the installation, if necessary
- SW2 Allen key (supplied)

4.3.1 Remove upper soft stop damper

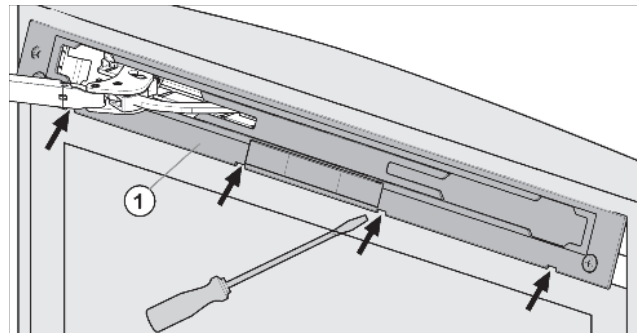


Fig. 5

- ▶ Open upper door.

NOTICE

Risk of damage!

If the door seal is damaged the door may not close properly and the level of cooling is insufficient.

- ▶ Do not damage the door seal with the screwdriver!

- ▶ Release panel Fig. 5 (1) using a slotted screwdriver and remove.
- ▷ The panel hangs above the damper bracket.

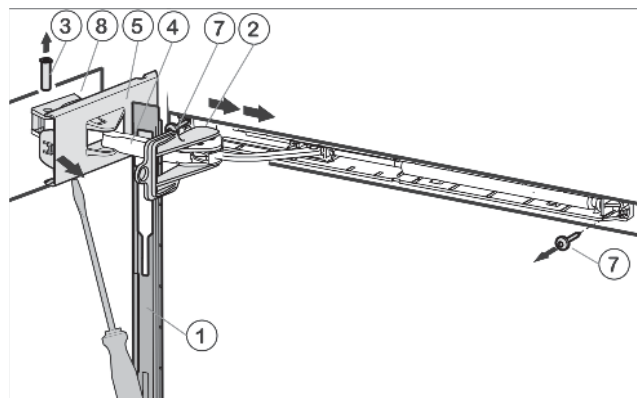


Fig. 6

- ▶ Push panel forward over the damper bracket Fig. 6 (4) in the direction of the appliance.
- ▶ Engage locking device Fig. 6 (2) into place inside oblong hole.
- ▷ The locking device prevents the hinge from snapping shut.
- ▶ Unscrew cover Fig. 6 (5) that is on the hinge side until the first notch using a screwdriver.
- ▷ The bolt will become visible.
- ▶ Push bolt Fig. 6 (3) out from below.
- ▶ Press damper bracket Fig. 6 (4) in the direction of the door.
- ▶ Completely loosen cover Fig. 6 (5) that is on the hinge side and remove.
- ▶ Remove panel Fig. 6 (1).
- ▶ Loosen cover that is on the hinge side Fig. 7 (6) using a screwdriver and remove by pulling outwards.

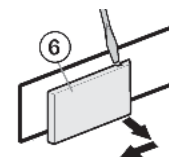


Fig. 7

Start-up

- ▶ Unscrew soft stop unit (2 x Torx® 15) *Fig. 6 (7)*.
- ▶ Slightly pull out soft stop unit, push it towards the handle side and open it out.
- ▶ Set soft stop unit to the side.
- ▶ Unscrew bearing part *Fig. 6 (8)*, turn it 180° and move it to the opposite side. Make preliminary holes (optional) or use a cordless screwdriver.

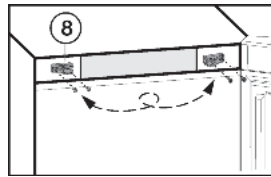


Fig. 8

4.3.2 Removing the upper door

Note

- ▶ To prevent food items from falling out, take all food out of the door racks before removing the door.

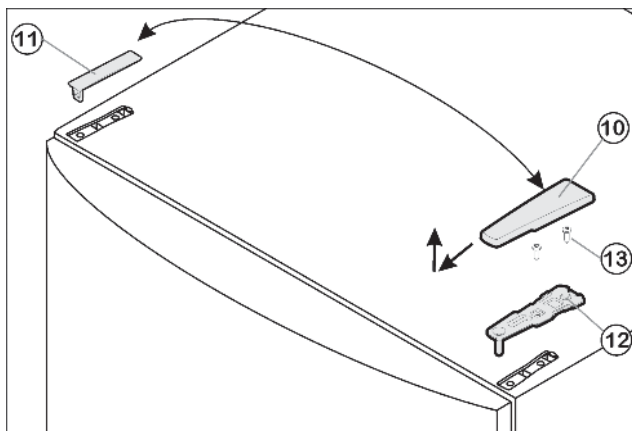


Fig. 9

- ▶ Close upper door.
- ▶ Pull cover *Fig. 9 (10)* forward and upwards to remove.
- ▶ Lift off cover *Fig. 9 (11)*.



CAUTION

Risk of injury if the door tips out!

- ▶ Keep a steady grip on the door.
- ▶ Set the door down carefully.
- ▶ Unscrew upper bearing bracket *Fig. 9 (12)* (2 x Torx® 25) *Fig. 9 (13)* and pull it upwards to remove.
- ▶ Lift the upper door up and off and set it to the side.

4.3.3 Remove lower soft stop damper

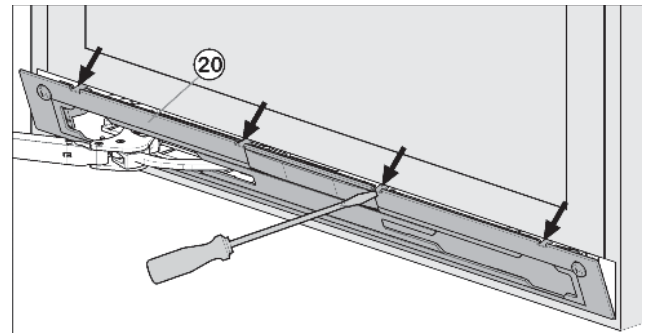


Fig. 10

- ▶ Open the lower door.

NOTICE

Risk of damage!

If the door seal is damaged the door may not close properly and the level of cooling is insufficient.

- ▶ Do not damage the door seal with the screwdriver!

- ▶ Release panel *Fig. 10 (20)* using a slotted screwdriver and remove.
- ▷ The panel hangs above the damper bracket

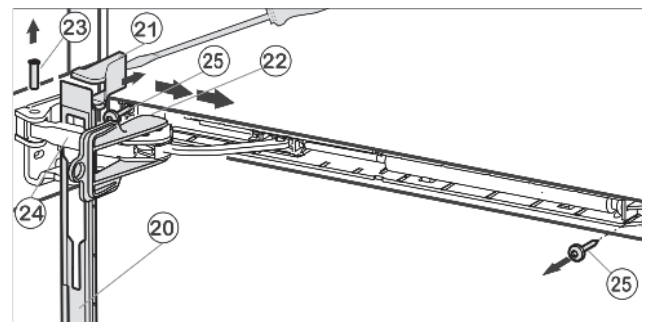


Fig. 11

- ▶ Push panel forward over the damper bracket *Fig. 11 (24)* in the direction of the appliance.
- ▶ Engage locking device *Fig. 11 (22)* into place inside oblong hole.
- ▷ The locking device prevents the hinge from snapping shut
- ▶ Lift off cover *Fig. 11 (21)* from the outside using a screwdriver and remove by pulling outwards.
- ▶ Tip the appliance rearwards with the help of a second person if needed.
- ▶ Push bolt *Fig. 11 (23)* out from below.
- ▶ Press damper bracket *Fig. 11 (24)* in the direction of the door.
- ▶ Remove panel *Fig. 11 (20)*.
- ▶ Unscrew entire soft stop unit (2 x Torx® 15) *Fig. 11 (25)*.
- ▶ Slightly pull out soft stop unit, push it towards the handle side and open it out
- ▶ Set soft stop unit to the side

4.3.4 Removing the lower door

- ▶ Close the lower door.

- ▶ Pull center bearing pin *Fig. 12 (32)* and disc *Fig. 12 (34)* out of the bearing bracket and the lower door.
- ▶ Remove plastic cap *Fig. 12 (33)*.

CAUTION

Risk of injury if the door tips out!

- ▶ Keep a steady grip on the door.
- ▶ Set the door down carefully.

- ▶ Open the lower door.
- ▶ Unscrew center bearing bracket *Fig. 12 (31)* (2 x Torx® 25).
- ▶ Lift lower door upwards to remove and set it to the side

4.3.5 To swap over central bearing parts

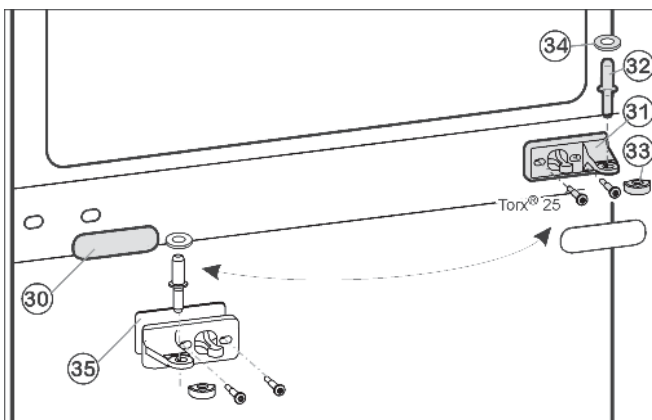


Fig. 12

- ▶ Carefully remove cover trim *Fig. 12 (30)*.
- ▶ Turn the center bearing bracket *Fig. 12 (31)* and washer *Fig. 12 (35)* 180° and secure **tightly (to 4 Nm)** on the new hinge side.
- ▶ Turn the cover trim *Fig. 12 (30)* 180° and snap it back into place on the new handle side.

4.3.6 To swap over lower bearing parts

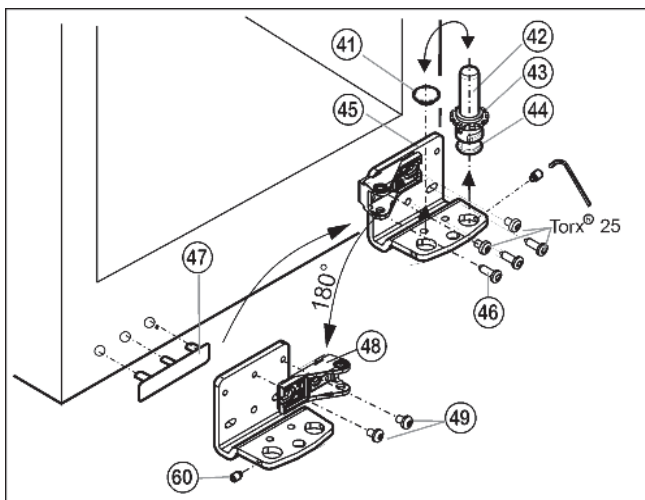


Fig. 13

- ▶ Unscrew grub screw *Fig. 13 (60)* by approx. 1 turn using the socket wrench supplied.

- ▶ Unscrew the bearing pin *Fig. 13 (42)*, with disc *Fig. 13 (43)* and positioning foot *Fig. 13 (44)*, in an upwards direction.
- ▶ Lift off plug *Fig. 13 (41)*.
- ▶ Unscrew *Fig. 13 (46)* bearing bracket *Fig. 13 (45)*.
- ▶ Completely unscrew the grub screw *Fig. 13 (60)* and screw it into the opposite side of the bearing bracket until it is externally flush with the bearing bracket.
- ▶ Unscrew bearing part *Fig. 13 (48)*, turn it 180° and tighten *Fig. 13 (49)* it to the inside.
- ▶ Insert plug *Fig. 13 (41)* back into the other hole.
- ▶ Carefully lift off the cover on the handle side *Fig. 13 (47)* and move it to the opposite side.
- ▶ Using a cordless screwdriver if necessary, again secure the bearing bracket *Fig. 13 (45)* on the new hinge side **tightly (to 4 Nm)**.
- ▶ Screw complete bearing pin *Fig. 13 (42)*, with disc and positioning foot, back into place again.
- ▶ Tighten grub screw *Fig. 13 (60)*.

4.3.7 Swapping the handles

For both the upper and lower door:

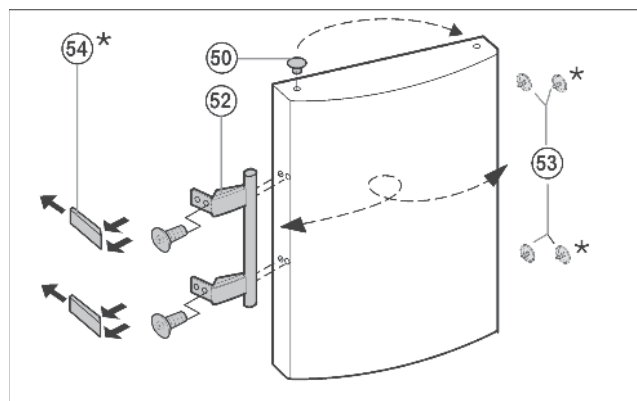


Fig. 14

- ▶ Pull plugs *Fig. 14 (50)* out of the door bearing bushes and move them to the other side.
- ▶ Detach the door handle *Fig. 14 (52)*, plug *Fig. 14 (53)* and pressure plates* *Fig. 14 (54)* and move them to the opposite side.
- ▶ When fitting the pressure plates on the opposite side, make sure they engage correctly.*

4.3.8 Fitting the lower door

- ▶ Position the lower door from above onto the lower bearing pins *Fig. 13 (42)*.
- ▶ Close the door.
- ▶ Place the plastic cap *Fig. 12 (33)* back onto the center bearing bracket *Fig. 12 (31)*.
- ▶ Insert the center bearing pin *Fig. 12 (32)* on the new hinge side through the center bearing bracket *Fig. 12 (31)* into the lower door.
- ▶ Place disc *Fig. 12 (34)* onto the center bearing pin *Fig. 12 (32)*.

Start-up

4.3.9 Fitting the lower soft stop damper

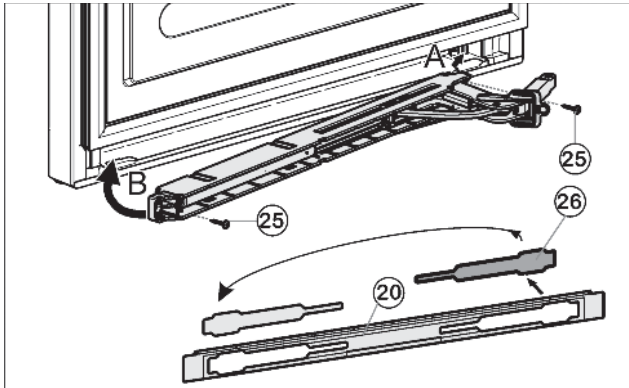


Fig. 15

- ▶ Loosen cover Fig. 15 (26) from the panel Fig. 15 (20) and insert on the other side.
- ▶ With the hinge of the soft stop unit facing the door hinge side, engage the soft stop unit (A) and swivel inwards (B)
- ▷ The holes on the left and right must lie exactly above each other
- ▶ Tighten soft stop unit (2 x Torx® 15) Fig. 15 (25).

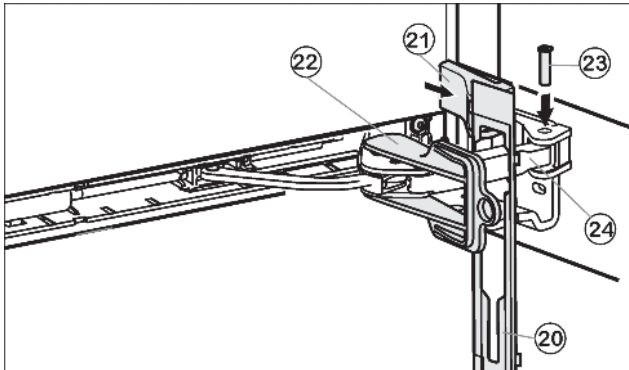


Fig. 16

- ▶ Hook panel Fig. 16 (20) into the damper bracket such that the detent hooks are pointing forwards and the front side is facing the appliance.
- ▶ Pull damper bracket Fig. 16 (24) towards bearing bracket and insert bolt Fig. 16 (23) from above such that the square is resting in the recess.
- ▶ Position cover Fig. 16 (21) and snap in.
- ▷ Check that the cover is positioned correctly such that the door can close properly and the bolt is secured
- ▶ Remove locking device Fig. 16 (22) by twisting it.
- ▶ Snap panel Fig. 16 (20) into place on the door.
- ▶ Close the lower door.

4.3.10 Fitting the upper door

- ▶ Place the upper door onto the center bearing pin Fig. 12 (32).
- ▶ Insert the upper bearing bracket Fig. 9 (12) on the new hinge side into the door.
- ▶ Tighten the upper bearing bracket (**to 4 Nm**)(2 x Torx® 25) Fig. 9 (13). Make preliminary holes (optional) or use a cordless screwdriver.

- ▶ Snap both cover Fig. 9 (11) and cover Fig. 9 (10) into place on the opposite side.
- ▶ Leave upper door open.

4.3.11 Fitting the upper soft stop damper

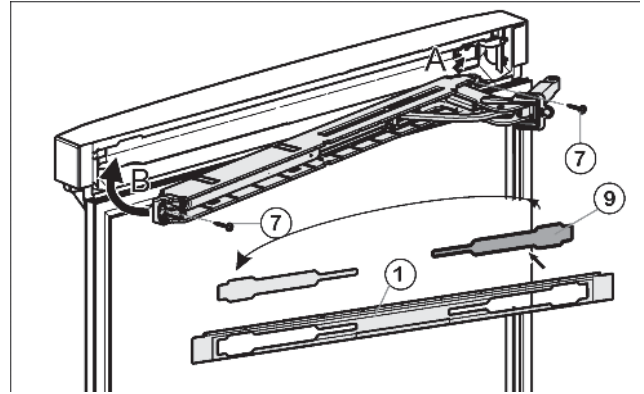


Fig. 17

- ▶ Loosen cover Fig. 17 (9) from the panel Fig. 17 (1) and insert on the other side.
- ▶ With the hinge of the upper soft stop unit facing the door hinge side, engage the soft stop unit (A) and swivel inwards (B)
- ▷ The holes on the left and right must lie exactly above each other
- ▶ Tighten soft stop unit (2 x Torx® 15) Fig. 17 (7).

Note

- ▶ Follow the correct sequence First hang the panel over the damper bracket, then the cover

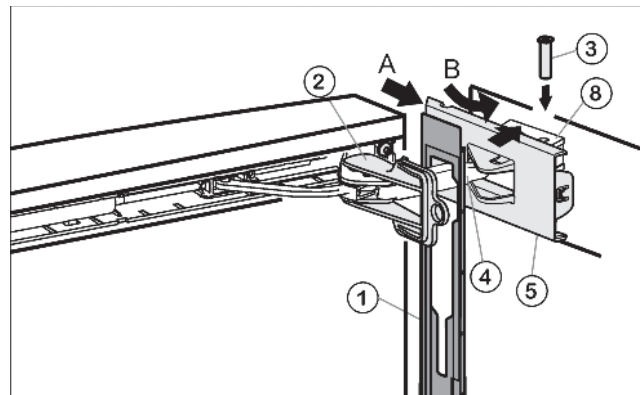


Fig. 18

- ▶ Hook panel Fig. 18 (1) into the damper bracket Fig. 18 (4) such that the detent hooks are pointing inwards and the front side is facing the appliance.
- ▶ Push on cover Fig. 18 (5) from the outside (A) and pivot over the bearing part Fig. 18 (8) (B).
- ▶ Place cover Fig. 18 (5) on top and allow to snap into place until the first notch.
- ▷ The openings for the bolts lie above each other after positioning the damper bracket
- ▶ Pull damper bracket Fig. 18 (4) towards bearing bracket and insert bolt Fig. 18 (3) from above such that the square is resting in the recess.

- ▶ Now snap cover *Fig. 18 (5)* completely into place on the bearing part *Fig. 18 (8)*.
- ▷ Check that the cover is positioned correctly such that the door can close properly and the bolt is secured
- ▶ Remove locking device *Fig. 18 (2)* by twisting it.
- ▶ Snap panel *Fig. 18 (1)* into place on the door.
- ▶ Turn cover *Fig. 7 (6)* 180° from the handle side, place it on top from the outside and snap into place.

4.3.12 Aligning the doors

- ▶ Align the doors flush with the appliance housing, using the two oblong holes in the lower bearing bracket *Fig. 13 (45)* and in the center bearing bracket *Fig. 12 (31)* as a guide, if needed. To do so, unscrew the center screw on the lower bearing bracket *Fig. 13 (45)*.



WARNING

Risk of bodily injury due to the door falling off. If the bearing parts are not installed with the proper torque, the door may fall off. In addition, the door may not close, thus impairing the cooling performance of the appliance.

- ▶ Securely tighten the bearing brackets by applying a torque of 3 lb-ft (4 Nm).
- ▶ Check all screws and retighten if necessary.

4.4 Side-by-side installation

As seen from the front, install the appliance with an IceMaker on the right and the appliance without an IceMaker on the left.

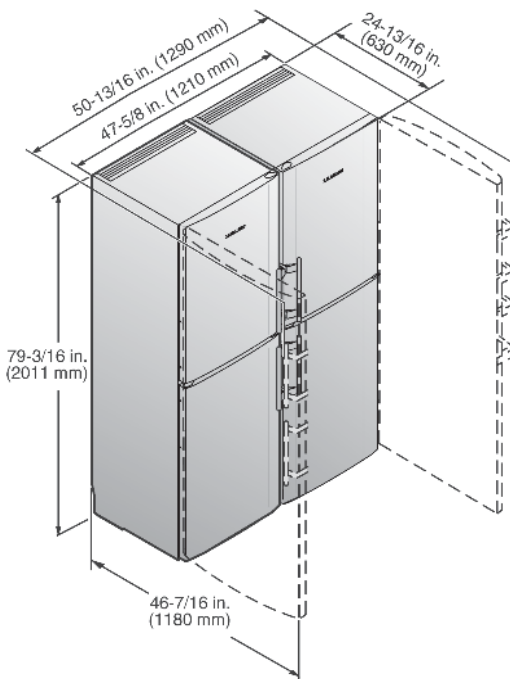


Fig. 19

The fixing accessories are supplied with model CS 1311. If you have model CS 1360 you can purchase the fixing accessories by contacting customer services.

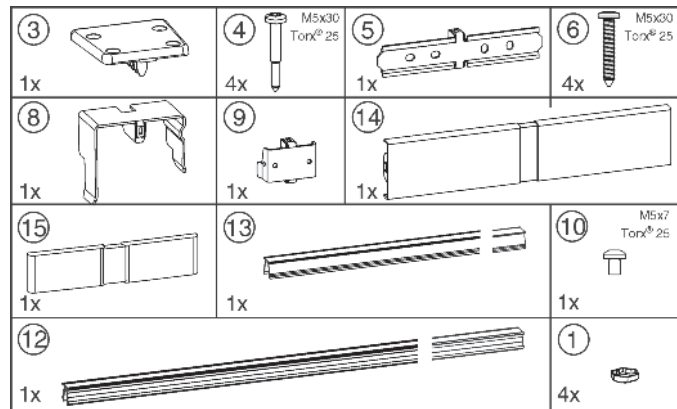


Fig. 20



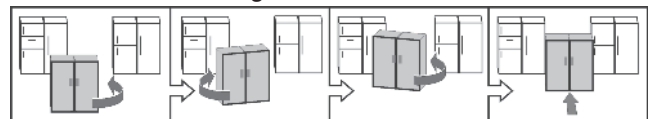
Fig. 21

Make sure you have the following tools on hand:

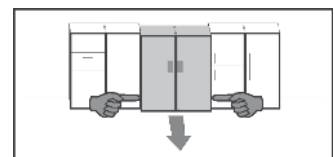
- Spirit level
- Cordless screwdriver
- Torx® 25 screwdriver
- Open-end wrench, SW 10 (supplied)
- 1/4 in. socket
- Allen wrench, SW 2 (supplied)

Tips on moving the combination:

- Before assembly, set the appliances up as close as possible to the final location.
- When moving the appliances, always grasp the front outside corners. Never press your knee against the side walls or door.
- The easiest way to move the combination is diagonally, by moving the left and right corner in turn. If the combination is positioned exactly in front of the recess, slide it in straight.



- If you need to pull the combination back out of the recess, grasp it in the bottom third and pull forward.



NOTICE

Moving the SBS combination may result in damage! The assembled SBS combination is heavy. If not moved properly, the appliance may become dented.

- ▶ Read and follow the moving tips (see above).

- ▶ Remove all protective films from the housing exterior.

Front of the appliance:

Start-up

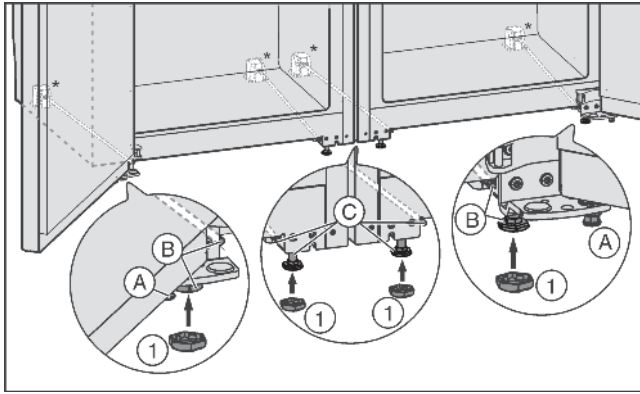


Fig. 22

- ▶ If necessary screw in the adjustment feet Fig. 22 (A) at the front of both appliances completely so that there is no floor contact.
- ▶ Place the caps Fig. 22 (1) on the four front adjustment feet.
- ▶ Move both units together so that there is a gap of up to approx. 3/8 " (10 mm) between them so that they are flush as seen from the front.

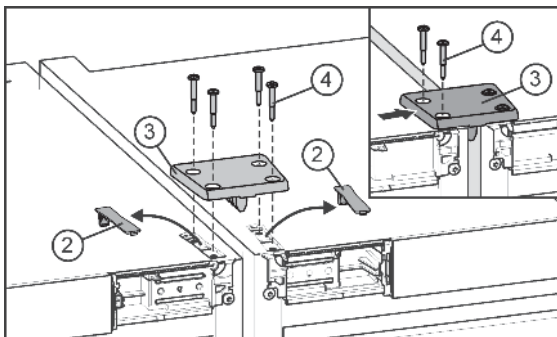


Fig. 23

- ▶ Release and remove the covers Fig. 23 (2).
- The appliances are automatically aligned in height with the connecting plate. If one appliance is somewhat higher than the other start with this one.
- ▶ Fit a connecting plate Fig. 23 (3) and fix loosely to one appliance with two screws Fig. 23 (4).
 - ▶ Move the connecting plate to the side so that the centre bar of the plate is touching the side wall of the appliance. Tighten the screws.
 - ▶ Screw the connecting plate to the second appliance too. If necessary push the appliances together or apart a little.

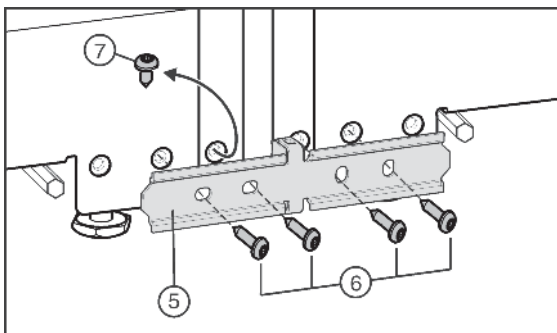


Fig. 24

- ▶ If your appliance has been fitted with the pre-fitted screw Fig. 24 (7): Undo the screw.

The appliances are automatically aligned in depth with the connecting sheet. If one appliance projects further forward than the other start with this one. Otherwise start with the left hand appliance.

- ▶ Fix the connecting sheet Fig. 24 (5) loosely to one appliance with two screws Fig. 24 (6).
- ▶ Move the connecting sheet to the side so that the centre bar of the sheet is touching the side wall of the appliance. Tighten the screws.
- ▶ Screw the connecting sheet to the second appliance too. If necessary push the appliances together or apart a little.

Back of the appliance:

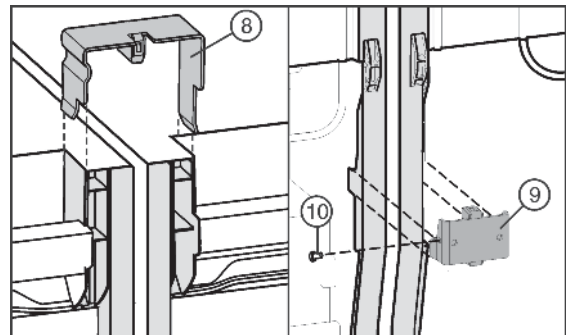


Fig. 25

- ▶ Place the connecting clamps Fig. 25 (8) at the top of the centre side walls.
- ▶ Insert the connecting angle Fig. 25 (9) underneath into the corresponding space.
- ▶ If the connecting angle is somewhat loose, fit a screw Fig. 25 (10).

Note

- ▶ To prevent vibration noise, the brackets and screws must not come into contact with the clamps or the screws on the pipework on the back.

Front of the appliance:

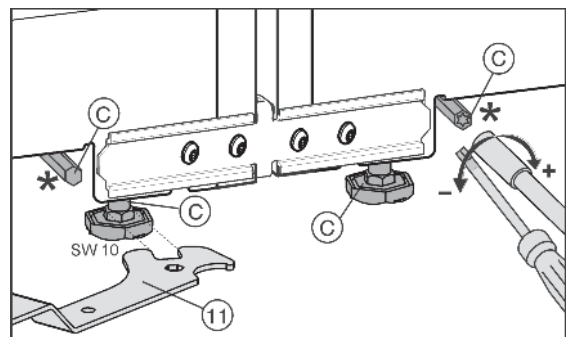


Fig. 26

NOTICE

Risk of damage to the castors.

- ▶ Do not use a power tool to adjust the rear adjustment feet as it will damage the leveling mechanism or disengage the rod – instead use a hand ratchet.

The front adjustment feet can be adjusted with the supplied open-end wrench *Fig. 26 (11)* and the rear adjustment feet* with a 1/4" bit attachment.

- ▶ Tighten the centre adjustment feet *Fig. 22 (C)* so that there is no floor contact.
- ▶ Align the combination with the outer adjustment feet *Fig. 22 (B)*.

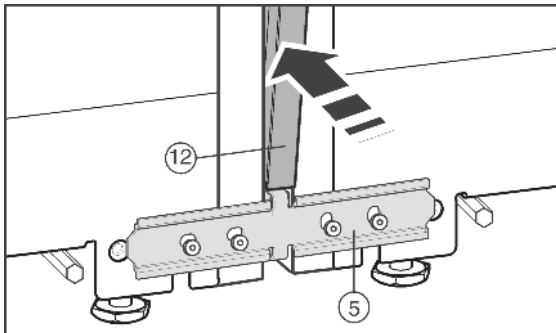


Fig. 27

Before inserting the trim *Fig. 27 (12)* squeeze the two fillets together along the entire length. The trim can now be inserted more easily into the gap. When pressing in the trim, use a soft cloth to prevent dents on the surface of the trim. Press the trim carefully and evenly into the gap to achieve the best possible fit.

- ▶ On the front press the long trim *Fig. 27 (12)* into the vertical gap. Ensure that the trim rests on the connecting panel *Fig. 27 (5)*.
- ▶ Remove protective film from the trim.*

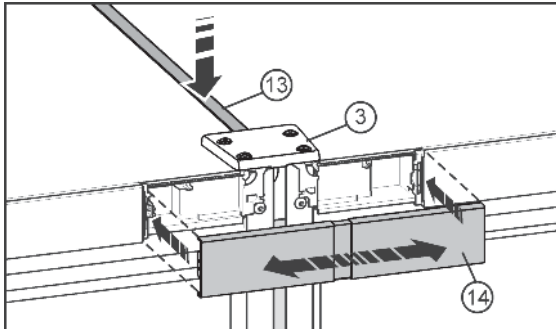


Fig. 28

- ▶ On the top, press the short trim *Fig. 28 (13)* into the gap. The trim must form a flush finish with the connecting plate *Fig. 28 (3)* on the front edge.
- ▶ Snap the cover *Fig. 28 (14)* onto the open space between the two control panel trims. Make sure that the outer surfaces of the cover form a flush finish with the control panel trims. The cover can be extended for this purpose.

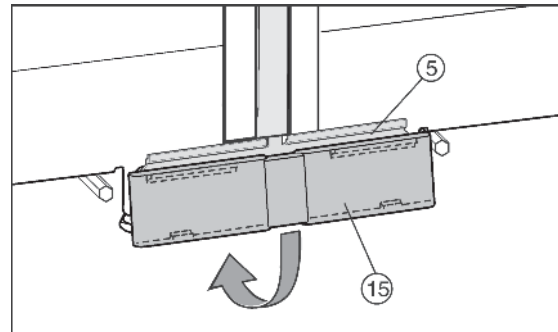


Fig. 29

- ▶ Position the lower cover *Fig. 29 (15)* from above onto the connecting panel *Fig. 29 (5)* and snap it down into place.
- ▶ Connect the combination unit to the power supply (see 4.10).
Appliances with IceMaker:
- ▶ Connect the appliance to the water supply (see 4.5).
All appliances
- ▶ Fit the anti-tip device (see 4.7).

NOTICE

Moving the SBS combination may result in damage! The assembled SBS combination is heavy. If not moved properly, the appliance may become dented.

- ▶ Read and follow the moving tips (see above).

- ▶ Carefully push the combination into the designated position.
- ▶ Align the combination again if necessary using the adjustment feet.
- ▶ Lower the centre adjustment feet *Fig. 22 (C)* again until they touch the floor.
- ▶ Then shore up the door: Lower the adjustment feet *Fig. 22 (A)* onto the bearing bracket until they contact the floor then turn 90° again.

The door height can be adjusted at the lower outside bearing brackets:

- ▶ Unscrew the threaded pin *Fig. 30 (17)* a little (no more than one turn).

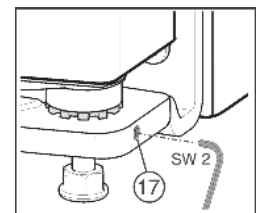


Fig. 30

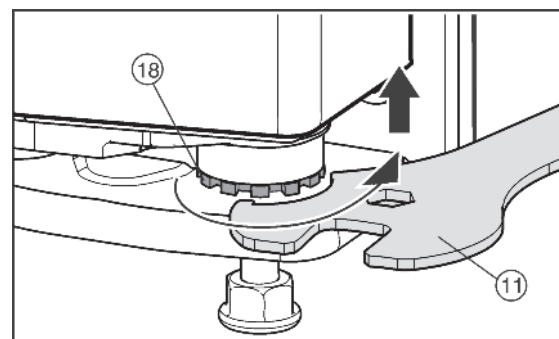


Fig. 31

- ▶ To lift the door unscrew the bearing pin *Fig. 31 (18)* clockwise using the supplied open-end wrench *Fig. 31 (11)*. The appliance is delivered from the factory with the bearing pin screwed in completely.

Start-up

- ▶ Screw the threaded pin *Fig. 30 (17)* in again to fix the bearing pin.

4.5 Water connection*



WARNING

Electrical Shock Hazard!

- ▶ Do not make the water connection while the appliance is connected to an electrical outlet.
- ▶ Disconnect the water supply before connecting the water lines for the IceMaker.
- ▶ The connection to the water supply may only be made by a trained and licensed plumber.



WARNING

Poisoning Hazard!

- ▶ The water quality must comply with the drinking water regulations for the geographical area where the appliance is located.
- ▶ Connect to potable water supply only.
- ▶ The IceMaker is designed exclusively to make ice cubes in quantities needed by a household and must only be operated with water appropriate for this purpose.

Water pressure:

psi	MPa (bars)
21.76 to 87.02	0.15 to 0.6 (1.5 to 6)

If a water filter is used, the instructions on water pressure in the **Installing the water filter section** apply.

- Water must be supplied to the appliance through a cold water pipe that complies with hygiene standards and can withstand the operating pressure.
- All devices and equipment used to supply water must comply with the regulations in force in the respective country.
- The solenoid valve is located at the bottom of the back of the appliance. It has a metric R3/4 connecting thread.

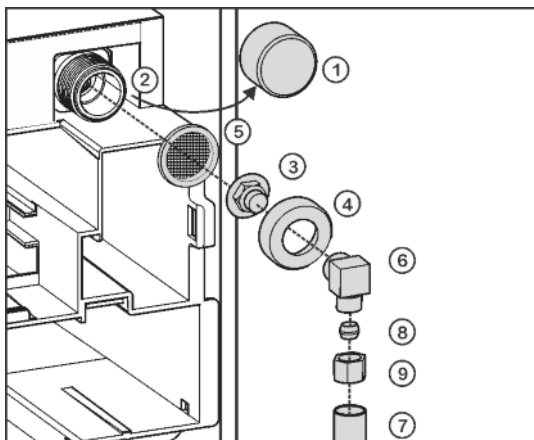


Fig. 32

- ▶ Remove the cap *Fig. 32 (1)* from the solenoid valve *Fig. 32 (2)*.
- ▶ Insert the coupler *Fig. 32 (3)* in the union nut *Fig. 32 (4)*.
- ▶ Insert the water filter *Fig. 32 (5)* with the recess pointing down towards the coupler *Fig. 32 (3)*.

NOTICE

Risk of damage to the water filter!

If you insert the filter incorrectly you could damage it.

- ▶ Insert the filter with the recess pointing towards the coupler.

- ▶ Lock the union nut *Fig. 32 (4)* onto the solenoid valve *Fig. 32 (2)* and tighten.

NOTICE

Risk of damage to the thread!

- ▶ Do not overtighten the union nut.

- ▶ To turn the water connection 90°, tighten the elbow connector *Fig. 32 (6)* if necessary.

- ▶ Connect the water supply *Fig. 32 (7)* (e.g. copper) with the aid of the clamp ring *Fig. 32 (8)* and nut *Fig. 32 (9)* to the coupler *Fig. 32 (3)* or elbow connector *Fig. 32 (6)*.

Before fitting into the cabinet:

- ▶ Check the whole water system for leaks.

Before using for the first time:

- ▶ Have the water line bled (remove air) by a competent professional.

NOTICE

Malfunction of the water intake!

If the water intake is shut off during operation but the IceMaker remains in operation, the water intake pipe may ice up.

- ▶ Switch off the IceMaker if the water supply is interrupted (e.g. holiday).

4.6 Installation into a fitted kitchen

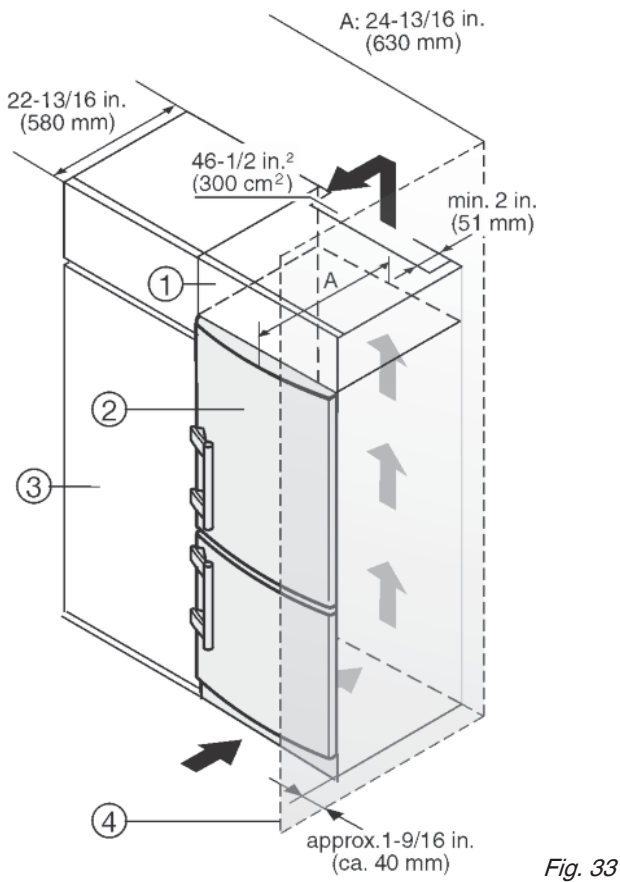


Fig. 33

- (1) Top cupboard (3) Kitchen cabinet
 (2) Appliance (4) Wall

The appliance can be built into kitchen cabinets. To bring the appliance Fig. 33 (2) up to the height of the fitted kitchen units, a top cupboard Fig. 33 (1) can be added above the appliance.

When converting kitchen cabinets (max. depth 22-13/16 " (580 mm)) the device can be set up directly beside the kitchen cabinet Fig. 33 (3). The appliance door projects (34 mm) at the side and in the center of the appliance (50 mm) from the front of the kitchen cabinet. This allows it to open and close properly.

Ventilation requirements:

- There must be a ventilation shaft at least 2 " (51 mm) deep at the back of the top cupboard over the entire width of the top cupboard.
- The cross section of the ventilation gap below the ceiling must be at least 46-1/2 in² (300 cm²).
- The bigger the ventilation gap, the more energy-saving the operation of the appliance.

If the appliance is installed with the hinges next to a wall Fig. 33 (4), the gap between the appliance and the wall must be at least 1-9/16 " (40 mm). This is how far the handle protrudes when the door is open.

4.7 Anti-tip device

The screws for fastening the anti-tip device are not supplied with the appliance. Appropriate screws must be used for the material (wood, concrete, etc.) in which the safety device is mounted.



WARNING

Risk of injury if the appliance tips over!

- Install the anti-tip device to prevent the appliance from tipping over when the fully loaded door is open.

NOTICE

Risk of damage due to leaking water!

If the tilt safety device has been fitted in another position than the one given, the water hoses may be damaged when pushing the appliance into the niche.

- Only fit the tilt safety device in the position shown in the diagram.

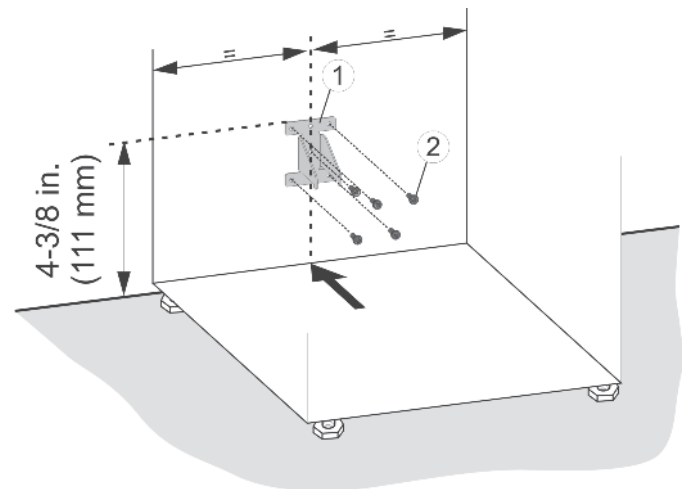
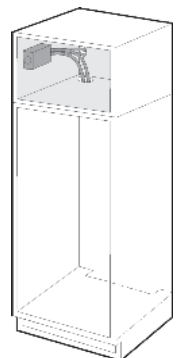


Fig. 34

- Mark the installation position for the anti-tip device on the wall or back of the unit.
- Install the anti-tip device Fig. 34 (1) using appropriate screws Fig. 34 (2).

4.8 Installing the water filter*

The water filter ensures optimum water quality and is available as an accessory. It should be installed near the appliance in the cabinet, for example in the adapter cabinet above the appliance. To connect the filter to the appliance, it may be necessary to make an opening (C) in the floor of the adapter cabinet through which the hoses will be routed. Depending on your installation setup, you can route the two water filter hoses either through the rear panel or through the base of the cabinet. The maximum length of the water hose is 118-1/8 " (3 m).



Start-up

Alternatively, the appliance can also be operated without the water filter.

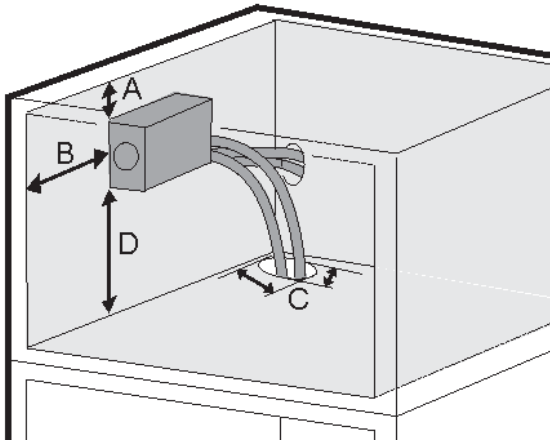


Fig. 35

- (A) 13/16 in (20mm)
- (B) 3-15/16 in (100mm)
- (C) 1-3/16in. x 3/8in. (30mm x 10mm)
- (D) min. 4 in (100mm)

The filter cover must be installed during assembly, so leave sufficient space around the filter module. Maintain the dimensions shown in Fig. 35 so that the filter can be replaced and the cover can be removed.

Flow rate	0.5 gpm (1.89 lpm)
Water connection	Drinking water
Water pressure	40 psi - 90 psi (2.8 bar - 6.2 bar/ 0.28 MPa - 0.62 MPa)
Water temperature	33 °F - 100 °F (0.6 °C - 37 °C)
Capacity	300 gal. (1.14 l)



WARNING

Consuming contaminants can be harmful to your health!
 ► If there is a chance the water may contain harmful bacteria or if the water quality is unknown, do not use this system without appropriate disinfection measures upstream or downstream of the system.

NOTICE

Leakage water may damage the system!

- Do not install this system on hot water lines. The maximum operating temperature of the water in this system is 100 °F (37.7 °C).
- This system **MUST** be installed and used in compliance with federal and local installation regulations.
- Do not install under water hammer conditions. A water hammer arrestor must be used to prevent water hammering. If you are unsure how to check these conditions, consult a professional installer.
- Do not install with a water pressure greater than 90 psi (6.2 bar). If your water pressure exceeds 80 psi, install a pressure limiting valve. If you are unsure how to check the water pressure, consult a professional installer.
- Protect against frost; if temperatures below 33 °F (0.6 °C) are expected, remove the filter.
- When used as indicated, the disposable filter cartridges must be replaced every 6 months or whenever you notice a considerable decrease in the flow rate.

- Disconnect the appliance from the mains.
- Close off the main water supply if the appliance has already been connected to the tap.
- Position appliance in front of the recess.

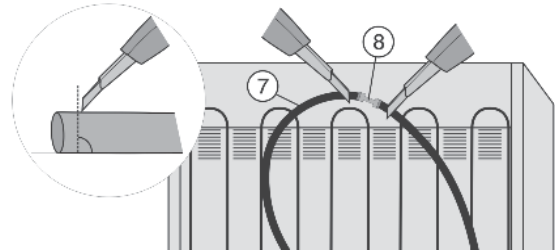


Fig. 36

- Slice open the water hose Fig. 36 (7) located behind the appliance both in front of and behind the connector Fig. 36 (8) (90° to direction of hose).

When doing so, make sure the hose does not become kinked and the cross-section of the hose remains round.

- Connect the supplied extension hoses Fig. 37 (1) to the appliance hoses Fig. 37 (7): Slide the appliance hoses into the connectors as far as they will go (approx. 25/32 " (20 mm)).

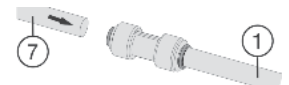


Fig. 37

- Pull the tray Fig. 38 (4) out until it catches.
- Secure the module with 4 screws Fig. 38 (5) through the recesses in the front and directly through the module in the back.

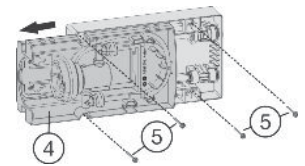
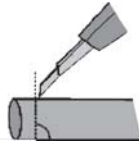


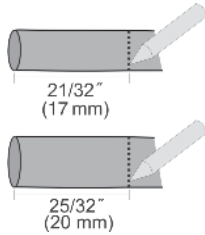
Fig. 38

- ▶ Shorten hoses if necessary (90° to direction of hose). The hoses should be long enough to allow the appliance to be pulled out of the recess even when it is connected to the water filter.



Make sure the hoses do not become kinked and the cross-section of the hose remains round.

- ▶ On the thin hose measure the insertion depth (E) of 21/32" (17 mm) and make a mark.
- ▶ On the thick hose measure the insertion depth (E) of 25/32" (20 mm) and make a mark.



- ▶ Insert the hoses *Fig. 39 (1)* into the water filter module as far as they will go (i.e. to the mark you made) past the point of resistance.

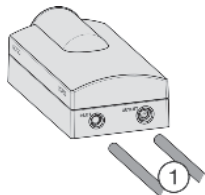


Fig. 39

Note

- ▶ If you need to disassemble the unit: Push back the dark grey ring on the connector and hold it in this position. While still holding the ring back, briefly push the hose into the connector, then pull it out.

- ▶ Insert the power cable into the socket (see 4.10).
- ▶ Connect appliance to the water supply (see 4.5).
- ▶ Make sure the filter is leak-tight and no water is coming out.
- ▶ Place the tray cover *Fig. 41 (3)* into position.

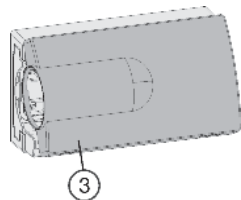


Fig. 40

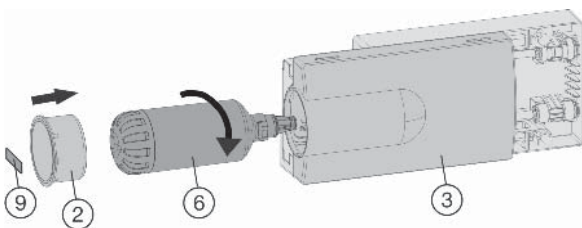


Fig. 41

- ▶ Remove the film from the water filter *Fig. 41 (1)*.
- ▶ Insert the water filter *Fig. 41 (6)* and turn it approximately 100° to the right until it locks into position.
- ▶ Place the cover on the filter *Fig. 41 (2)*.
- ▶ Slide the tray in.
- ▶ Write the date of the next filter replacement on the supplied adhesive label *Fig. 41 (9)* and affix it to the module.

Note

New water filters may contain particulate matter.

- ▶ Do not consume or use ice cubes produced within 72 hours after replacing the filter.

▷ The water filter is now ready for use.

NOTICE

Risk of damage due to leaking water!

- ▶ When pushing the appliance into the recess ensure that the water connection does not bend or become damaged.

4.9 Disposal of packaging



WARNING

Danger of suffocation from packaging materials and films!

- ▶ Do not allow children to play with packaging materials.

The packaging is made from recyclable materials:

- Corrugated card/cardboard
- Parts made of foamed polystyrene
- Films and bags from polyethylene
- Packing bands from polypropylene
- Wood frame nailed together with a polyethylene window*



- ▶ Take the packaging material to an official collection point.

4.10 Connecting the appliance



WARNING

Electrical shock hazard!

- ▶ Start-up should only take place once the appliance has been installed according to these instructions.
- ▶ Electrically ground appliance.
- ▶ Do not ground to a gas pipe.
- ▶ Check with a qualified electrician if you are not sure the appliance is properly grounded.
- ▶ Do not have a fuse in the neutral or grounding circuit.
- ▶ Do not use an extension cord, power bar or a multiple socket adapter.
- ▶ Do not use a power cord that is frayed or damaged.



WARNING

Electrical shock hazard!

This appliance is equipped with a three-prong (grounding) polarized plug for your protection against possible shock hazards. Electrical Grounding Required.

- ▶ Do not remove the round grounding prong from the plug.
- ▶ Use only an grounded adapter.

Operation

- Wait 1 hour after installation before you plug in the appliance. This allows the refrigerant and system lubrication to reach equilibrium.
- Make sure incoming voltage is the same as the appliance rating. A 110-120 Volt, 60 Hz, 15 Amp electrical supply (20 Amp for side-by-side installations) circuit that is controlled by a circuit breaker or fuse is required.
- We recommend using a dedicated circuit for this appliance to prevent electrical overload.
- Follow all Federal, State and local electrical, fire and building codes and ordinances when installing the receptacle and / or the appliance.
- In some communities, a wall switch is required to turn power to the appliance ON and OFF.
- To reduce the risk of fire, electric shock, or personal injury, installation work and electrical wiring must be done by a qualified electrician in accordance with all applicable codes and standards, including fire-rated construction.
- The Power Plug must be easily accessible so that the appliance can be disconnected from the mains quickly in an emergency. It must not be behind the back of the appliance.

4.11 Switching on the appliance

Note

- ▶ To switch on the entire appliance, only the freezer compartment needs to be switched on.

Switch on the appliance 2 hours before loading with frozen food for the first time.

Do not load frozen foods until the temperature display reads 0 °F (-18 °C).



4.11.1 Switching on the freezer compartment

- ▶ Press On/Off button, freezer compartment *Fig. 4 (13)*.
- ▷ The fridge compartment temperature display shows the current temperature in the interior.
- ▷ The freezer compartment temperature display and the Alarm symbol will flash until the temperature is cold enough. If the temperature is greater than 32 °F (0 °C), flashing dashes will appear; if the temperature is lower than this, the current temperature will flash on the display.
- ▷ Whenever “DEMO” appears on the display, the appliance is running in demonstration mode. Contact the customer service department.

4.11.2 Switching on the fridge compartment

- ▶ Press Fridge compartment On/Off button *Fig. 4 (3)*.
- ▷ The interior light comes on when the door is opened.
- ▷ The temperature display flashes. The fridge compartment is switched on.

5 Operation

5.1 Temperature display unit

The temperature display can be changed from °F to °C.

5.1.1 To change the unit

- ▶ Activate setting mode: Press SuperFrost button *Fig. 4 (14)* for about 5 seconds.
- ▷ 5 is displayed in the temperature display.
- ▷ The Menu symbol *Fig. 4 (19)* lights up.
- ▶ Using Freezer compartment Up button *Fig. 4 (11)*/ Freezer compartment Down button *Fig. 4 (12)* select °.
- ▶ To confirm: Briefly press SuperFrost button *Fig. 4 (14)*.
- ▶ Using Freezer compartment Up button *Fig. 4 (11)*/ Freezer compartment Down button *Fig. 4 (12)* select °F or °C.
- ▶ To confirm: Briefly press SuperFrost button *Fig. 4 (14)*.
- ▶ To exit setting mode: Press Freezer compartment On/Off button *Fig. 4 (13)*.



-or-

- ▶ Wait 5 minutes.

- ▷ The temperature is again displayed in the temperature display.

5.2 Brightness of the temperature display

You can adapt the brightness of the temperature display to the light conditions in the room in which it is installed.

If the door is open or the control panel is used the temperature indicator lights up at maximum brightness. About 1 minute after the door is closed or no button has been pressed on the control panel, the temperature display goes back to the set brightness.

This function works when the door is closed, and is not relevant for appliances with a covered screen.

5.2.1 Setting the brightness

The brightness can be set between h0 (minimum luminosity) and h5 (maximum luminosity).

- ▶ To activate setting mode: Press SuperFrost button *Fig. 4 (14)* for about 5 seconds.
- ▷ 5 is shown on the display.
- ▷ The Menu symbol *Fig. 4 (19)* lights up.
- ▶ Press Freezer compartment Up button *Fig. 4 (11)* or Freezer compartment Down button *Fig. 4 (12)* to select h.
- ▶ To confirm: Briefly press SuperFrost button *Fig. 4 (14)*.
- ▶ To set the display brighter: Press Freezer compartment Up button *Fig. 4 (11)*.
- ▶ To set the display darker: Press Freezer compartment Down button *Fig. 4 (12)*.



- ▶ To confirm: Press SuperFrost button *Fig. 4 (14)*.
 - ▷ The brightness is set to the new value.
 - ▶ To deactivate setting mode: Press Freezer compartment On/Off button *Fig. 4 (13)*.
- or-**
- ▶ Wait 5 minutes.
 - ▷ The temperature is again displayed in the temperature display.

5.3 Child-proof lock

You can use the child-proof lock to lock the buttons. This means that children cannot accidentally switch off the appliance when playing.



5.3.1 Switching on the child-proof lock

- ▶ Activate setting mode: press and hold the SuperFrost button *Fig. 4 (14)* for approximately 5 s.
- ▷ 5 is shown on the display.
- ▷ The Menu symbol *Fig. 4 (19)* lights up.
- ▶ Using the Freezer compartment Up button *Fig. 4 (11)* or Freezer compartment Down button *Fig. 4 (12)*, select **c**.
- ▶ Press the SuperFrost button *Fig. 4 (14)* briefly to confirm.

When **c1** is shown on the display:

- ▶ To switch on the child-proof lock, press the SuperFrost button *Fig. 4 (14)* briefly.
- ▷ The Child lock symbol *Fig. 4 (16)* LED lights up. **c** flashes on the display.
- When **c0** is shown on the display:
- ▶ To switch off the child-proof lock, press the SuperFrost button *Fig. 4 (14)* briefly.
 - ▷ The Child safety symbol *Fig. 4 (16)* LED goes out. **c** flashes on the display.
 - ▶ Deactivate setting mode: press the Freezer compartment On/Off button *Fig. 4 (13)*.



-or-

- ▶ Wait 5 min.
- ▷ The temperature is again displayed on the temperature display.

5.4 Door alarm

If the door is open for longer than 180 seconds, the acoustic warning sounds.

The acoustic warning stops automatically when the door is closed



5.4.1 Switching off the door alarm

The acoustic warning can be switched off when the door is open. The acoustic warning remains switched off as long as the door is open. When the door is closed, the alarm function is active again.

- ▶ Press Alarm button *Fig. 4 (15)*.
- ▷ The door alarm stops.

5.5 Temperature alarm

If the freezer temperature is not cold enough, the audible warning sounds.

At the same time, the temperature display and the Alarm symbol *Fig. 4 (9)* LED will flash.



The cause of a temperature being too high may be:

- Hot fresh food was placed in the appliance.
- When sorting and removing food from the appliance, too much warm ambient air got in.
- The power was cut off for a while.
- The appliance is faulty.

The audible warning automatically ceases, the Alarm symbol *Fig. 4 (9)* goes out, and the temperature display stops flashing when the temperature is cold enough again.

If the alarm status remains: (see Troubleshooting).

Note

If the temperature is not cold enough, food may spoil.

- ▶ Check the quality of the food. Do not consume spoiled food.

5.5.1 Switching off the temperature alarm

The acoustic warning can be switched off. When the temperature is cold enough again, the alarm function is active again.

- ▶ Press Alarm button *Fig. 4 (15)*.
- ▷ The acoustic warning ceases.

5.6 Sabbath Mode

This function meets the religious requirements on the Sabbath and Jewish festivals. When the appliance is in Sabbath mode some control electronic functions are switched off. After setting Sabbath mode you no longer need to worry about indicator lights, figures, symbols, displays, alarm messages and fans. The thawing cycle only operates at the specified time without taking refrigerator use into account. After a power cut the appliance automatically switches on again in Sabbath mode.



WARNING

Danger of food poisoning!

No record will be kept of a power failure during Sabbath Mode. Thus, during Sabbath mode, if a power failure occurs that you are not aware of, when the power comes back on, the unit will continue to be in Sabbath Mode but when Sabbath Mode is ended there will be no indication that a power failure occurred.



If a power failure occurs during Sabbath mode:

- ▶ Check the quality of the food. Do not consume spoiled food!
-
- All functions are blocked until Sabbath mode is switched off.

Operation

- If the unit is currently running in a mode such as Superfrost, Supercool or the Ventilation is enabled these functions will continue and finish their timed cycles independent of now being in Sabbath mode.
- The Ice Maker is disabled.*
- No audible signals are emitted, and the temperature display does not indicate any warnings or settings (such as a temperature alarm or door alarm).
- Light does not operate.

5.6.1 Setting Sabbath mode

- ▶ To activate setting mode: Press and hold the SuperFrost button *Fig. 4 (14)* for approx. 5 s.
 - ▷ 5 flashes on the display.
 - ▷ The Menu symbol *Fig. 4 (19)* lights up.
 - ▶ To access the Sabbath mode function: Briefly press the SuperFrost button *Fig. 4 (14)*.
When **SI** is shown on the display:
 - ▶ **To turn on** Sabbath mode, briefly press the SuperFrost button *Fig. 4 (14)*.
When **50** is shown on the display:
 - ▶ **To turn off** Sabbath mode, briefly press the SuperFrost button *Fig. 4 (14)*.
 - ▶ To deactivate setting mode: Press the Freezer compartment On/Off button *Fig. 4 (13)*.
- or-**
- ▶ Wait 5 min.
 - ▷ The Sabbath Mode symbol *Fig. 4 (18)* appears on the temperature display as long as Sabbath Mode is active.
 - ▷ Sabbath mode switches off automatically after 120 hours if it is not manually switched off beforehand.

5.7 Fridge compartment

The natural circulation of air in the refrigerator compartment results in zones with differing temperatures. It is coldest directly above the vegetable drawers and at the rear wall. It is warmest at the top front of the compartment and in the door.

5.7.1 Refrigerating food

Note

- ▶ Do not load the door with more than 40 lbs (18 kg) of food.

Note

Insufficient ventilation results in an increase in energy consumption and reduction of the refrigerating performance.

- ▶ Never block the air slits in the fan.
- ▶ Use recyclable plastic, metal, aluminum and glass containers and cling film to wrap foods.
- ▶ Always use closed containers for liquids and for food that may give off or be tainted by odor or flavor transfer or cover them.

- ▶ Foods which give off a large amount of ethylene gas and those that are sensitive to this gas, such as fruit, vegetables and salad, should always be separated or wrapped so as not to reduce the storage life; for example, do not store tomatoes together with kiwi fruits or cabbage.
- ▶ Do not store food too close together to enable sufficient air circulation.
- ▶ To ensure bottles do not tip over: move the bottle holder.

5.7.2 Setting the temperature

The temperature depends on the following factors:

- the number of times the door is opened
- the room temperature of the installation location
- the type, temperature and amount of food.

The temperature can be set from 35 °F (2 °C) to 45 °F (7 °C), 41 °F (5 °C) is recommended.

- ▶ To set a higher temperature: press the Fridge compartment Up button *Fig. 4 (4)*.
- ▶ To set a lower temperature: press the Fridge compartment Down button *Fig. 4 (5)*.
- ▷ When pressed once the previously set fridge compartment temperature display value will flash.
- ▶ To change the temperature in 1 °F (1 °C) increments: briefly press the button.
- ▶ To change the temperature continuously: hold the button down.
- ▷ The value is displayed flashing during the setting operation.
- ▷ The actual temperature is displayed about 5 seconds after the last press of a button. The temperature slowly adjusts to the new value.

5.7.3 SuperCool

With SuperCool you switch to the highest cooling performance to reach lower cooling temperatures. Use SuperCool to rapidly cool large quantities of food.



If SuperCool is on, the fan* may come on. The appliance works at maximum refrigerating power. The sound of the refrigeration unit may be temporarily louder as a result.

SuperCool will use more energy than normal operation.

Cooling with SuperCool

- ▶ Briefly press the SuperCool button *Fig. 4 (2)*.
- ▷ The SuperCool symbol *Fig. 4 (6)* LED lights up on the display.
- ▷ The cooling temperature drops to the coldest value. SuperCool is switched on.
- ▷ SuperCool automatically switches itself off after about 6-12 hours. The appliance returns to work in the energy-saving normal mode.

To prematurely switch off SuperCool

- ▶ Briefly press the SuperCool button *Fig. 4 (2)*.
- ▷ The SuperCool symbol *Fig. 4 (6)* LED goes out on the display.

▷ SuperCool is switched off.

5.7.4 Fan

The fan allows you to rapidly cool large amounts of fresh food or to achieve a relatively even distribution of temperature across all the storage levels.



Re-circulated air cooling is advisable:

- at high room temperatures (from approx. 95 °F (35 °C))
- in the case of high humidity

Re-circulated air cooling has a somewhat higher energy consumption. To save energy, the fan automatically switches off when the door is open.

Switching on the fan

- ▶ Briefly press Ventilation button *Fig. 4 (1)*.
- ▷ The Ventilation symbol *Fig. 4 (17)* LED lights up.
- ▷ The fan is on. On some appliances it only switches on when the compressor is running.

Switching the fan off (default)

- ▶ Briefly press Ventilation button *Fig. 4 (1)*.
- ▷ The Ventilation symbol *Fig. 4 (17)* LED goes out.
- ▷ The fan is switched off.

5.7.5 Shelves

Shifting or removing shelves



CAUTION

Danger of lacerations!

The storage shelf can shatter if dropped or mishandled. You could cut yourself on the pieces of broken glass.

- ▶ Only remove storage shelves when there is nothing on them.

Extension stops secure the shelves against being accidentally pulled out.

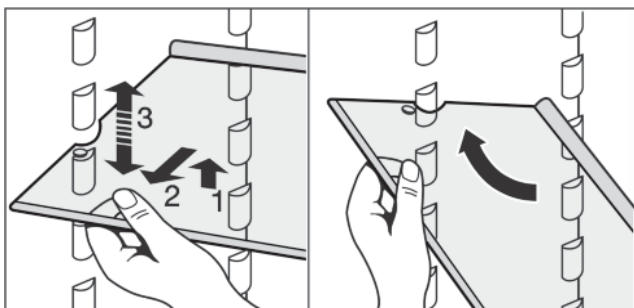


Fig. 42

- ▶ Lift up the shelf and pull it slightly forward.
- ▶ Adjust the shelf height by shifting the spacers in the runners.
- ▶ Insert the short shelf at the height of the gallon capacity rack so that door closes properly. It is supported on support bars.

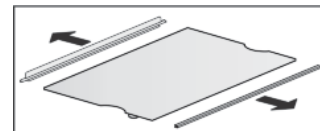
- ▶ To remove the shelf completely, set it at an angle and pull it out towards you.
- ▶ Insert the shelf with the raised edge to the back pointing upwards.
- ▷ This prevents food from contacting and freezing to the back wall.

The bottle holder offers additional storage for bottles (maximum height 11-13/16 " (300 mm)). It fits onto the same supports as the other racks.

- ▶ Insert the bottle holder into any position, but not right at the bottom.

To dismantle shelves

- ▶ The shelves can be dismantled for cleaning.



5.7.6 Using the split shelf



CAUTION

Danger of lacerations!

The storage shelf can shatter if dropped or mishandled. You could cut yourself on the pieces of broken glass.

- ▶ Only remove storage shelves when there is nothing on them.

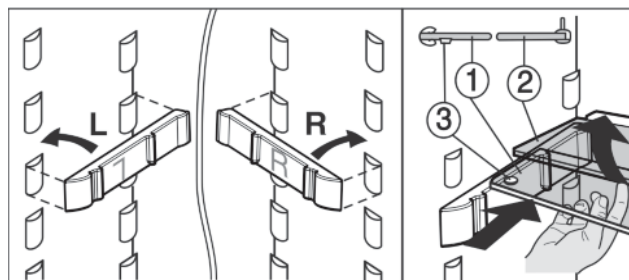


Fig. 43

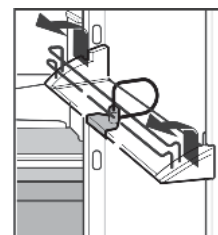
- ▶ Attach support bars supplied, ensuring right (R) and left (L) parts are correctly positioned.
- ▶ The glass shelf with stop face (2) has to be at the back.

5.7.7 Door racks

Note

- ▶ Do not load the door with more than 40 lbs (18 kg) of food.

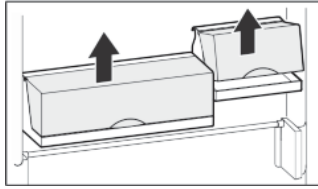
Repositioning the door racks



Operation

- ▶ Push rack up, pull forward, and reinsert in the reverse order.

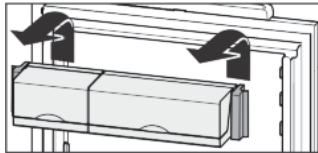
The container trays can be removed and placed on the table as a unit.



Instead of one wide container and one small container, a special set containing three small containers is available from Customer Service.

It is possible to use one or both boxes. If unusually tall bottles are to be stored, only suspend one box above the bottle rack.

- ▶ To swap containers: pull up to remove and reinsert in the desired position.



To dismantle door racks

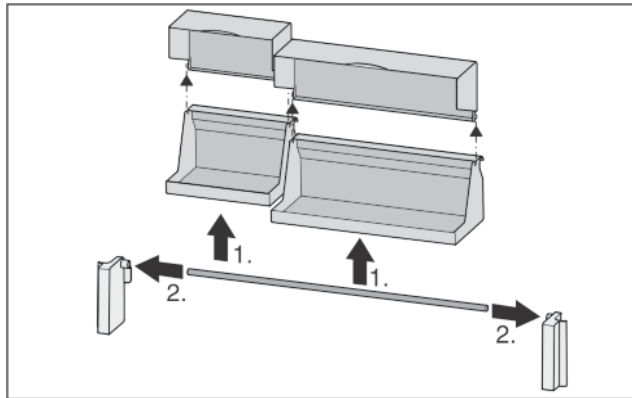
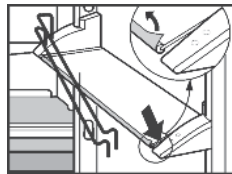


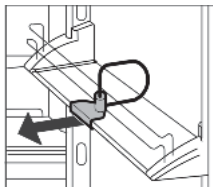
Fig. 44



- ▶ The door racks can be dismantled for cleaning.

5.7.8 Removing the bottle holder

- ▶ Always take hold of the bottle holder by the plastic part.



5.7.9 Vegetable drawers

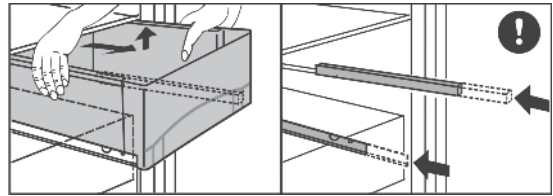


Fig. 45

To remove the vegetable drawers:

- ▶ Pull the vegetable drawer completely out and tilt it slightly forward.
- ▶ Push the protruding telescopic rails back in.

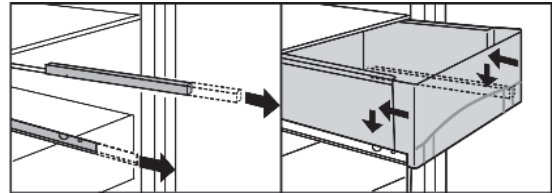


Fig. 46

To insert the vegetable drawers:

- ▶ Place the vegetable drawer on the telescopic rails and slide it back while applying light pressure.

5.8 Freezer compartment

You can store frozen food, make ice cubes and freeze fresh food in the freezer compartment.

5.8.1 Freezing food

Each drawer can hold up to 55.12 lbs (25 kg) of frozen food; each plate can hold up to 77.16 lbs (35 kg).

So that the food is rapidly frozen through to the core, do not exceed the following quantities per pack:

- fruit, vegetables up to 2.2 lb (1 kg)
- meat up to 5.51 lbs (2.5 kg)

- ▶ Pack the food in portions in freezer bags, reusable plastic, metal or aluminum containers.

5.8.2 Defrosting food

- in the fridge compartment
- in the microwave
- in the oven/fan oven
- at room temperature



WARNING

Danger of food poisoning!

- ▶ Do not re-freeze defrosted food.

- ▶ Only take out the amount of food that is required. Use defrosted food as quickly as possible.

5.8.3 Setting the temperature in the freezer compartment

The appliance is set as standard for normal operation.

The temperature can be set between 7 °F (-14 °C) and -16 °F (-26 °C), 0 °F (-18 °C) is recommended.

- ▶ To set a higher temperature: press the Freezer compartment Up button *Fig. 4 (11)*.
- ▶ To set a lower temperature: press the Freezer compartment Down button *Fig. 4 (12)*.
- ▷ When the button is pressed for the first time, the previous value is indicated on the freezer compartment temperature display.
- ▶ To change the temperature in 1 °F (1 °C) increments: briefly press the button.

-or-

- ▶ To change the temperature continuously: hold the button down.
- ▷ The value is displayed flashing during the setting operation.
- ▷ The actual temperature is displayed about 5 seconds after the last press of a button. The temperature slowly adjusts to the new setting.

5.8.4 SuperFrost

Depending on how much fresh food is to be frozen you must switch SuperFrost on in advance - for a small amount of food to be frozen, about 6 hours, for the maximum amount about 24 hours before putting the food in.

You do not need to switch SuperFrost on in the following cases:

- when placing frozen food in the freezer
- when freezing up to about 2 kg of fresh food a day

Freezing with SuperFrost

- ▶ Briefly press the SuperFrost button *Fig. 4 (14)* once.
- ▷ The SuperFrost symbol *Fig. 4 (21)* LED lights up.
- ▷ The freezing temperature drops and the appliance operates at its maximum refrigeration power rating. When a small amount of food is to be frozen.
- ▶ Wait approx. 6 hrs.
- ▶ Place packaged food in the upper drawers.
- ▶ When the maximum amount of food is to be frozen.
- ▶ Wait approx. 24 hrs.
- ▶ Remove upper drawers and place the food directly onto the upper shelves.
- ▷ SuperFrost is automatically switched off. At the earliest after 30 hours, at the latest after 65 hours, depending on the quantity placed inside the appliance.
- ▷ The LED for the SuperFrost symbol *Fig. 4 (21)* goes out when the freezing process is complete.
- ▶ Place food inside the drawers and push them closed again.
- ▷ The appliance returns to work in the energy-saving normal mode.

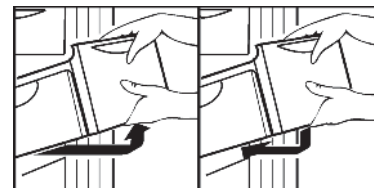
5.8.5 Drawers

Note

Insufficient ventilation results in an increase in energy consumption and reduction of the refrigerating performance.

For appliances with NoFrost:

- ▶ Leave the bottom drawer in the appliance.
- ▶ Never block the air slits in the fan on the rear wall.



- ▶ To store frozen food directly on the shelves: pull the drawer forward and lift it out.

5.8.6 Shelves

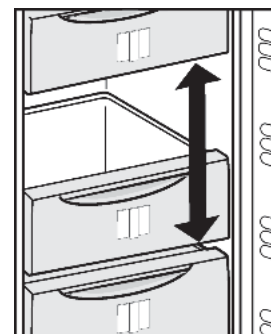
- ▶ To remove shelf: lift it at the front and pull out forward.
- ▶ To reinsert shelf: simply slide it in as far as it will go.



5.8.7 VarioSpace

In addition to the drawers, you can also take out the shelves. This gives you space for large frozen items. Poultry, meat, large joints of game and tall bakery items can be frozen and then presented whole.

- ▶ Each drawer can hold up to 55.12 lbs (25 kg) of frozen food; each plate can hold up to 77.16 lbs (35 kg).



5.8.8 Pull-out rails

5.8.9 Info system



Fig. 47

- (1) Ready meals, ice cream
- (2) Pork, fish
- (3) Fruit, vegetables
- (4) Sausages, bread
- (5) Game, mushrooms
- (6) Poultry, beef/veal

The numbers indicate the storage time in months for different types of frozen foods. The storage times given are guidelines.

Maintenance

5.8.10 IceMaker*

The IceMaker is in the top drawer. The drawer is labeled "IceMaker".

Make sure that the following conditions are fulfilled:

- The appliance is level.
- The appliance is connected to the electricity supply.
- The freezer compartment is switched on.
- The minimum freezer temperature is 14 °F (-10 °C).
- The IceMaker is connected to the water supply.
- All air was bled from the waterline before starting the icemaker. The icemaker will only work if there is no air in the waterline.

Switching on the IceMaker*

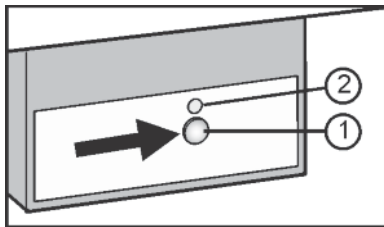


Fig. 48

- ▶ Pull out the drawer.
- ▶ Press On/Off button Fig. 48 (1) so that the LED Fig. 48 (2) lights up.
- ▶ Push in the drawer.
- ▷ The IceMaker symbol Fig. 4 (10) LED lights up.

Note

- ▶ The IceMaker only produces ice cubes when the drawer is completely closed.

Producing ice cubes*

The production capacity depends on the freezer temperature. The lower the temperature, the more ice cubes can be produced in a certain period.

The production capacity is 90- 100 ice cubes in 24 hours at a freezing temperature of 0 °F (-18 °C).

To have the maximum capacity of approx. 130 ice cubes in 24 hours, activate the SuperFrost Function. Be aware that this increases the energy consumption because the compressor will run constantly.

The ice cubes fall out of the IceMaker into the drawer. When the ice cubes reach a certain height in the drawer, no more ice cubes can be produced. The IceMaker will not fill the drawer to the top.

If large quantities of ice cubes are required, the complete IceMaker drawer can be swapped with the neighboring drawer. When you close the drawer, the IceMaker automatically restarts production.

When the IceMaker is switched on for the first time, it may take up to 24 hours for the first ice cubes to be produced.

Note

Particles may accumulate in the IceMaker or water line the first time the appliance is used or after an extended period out of service.

- ▶ To achieve this, do not consume or use the ice cubes that are produced within 72 hours.

Setting the water supply time*

The opening time of the valve on the IceMaker can be adjusted if, for example, the water pressure in the pipe is too low or too high.

The water supply time can be set in stages from **E1** (short supply time) to **E8** (long supply time). The default setting is **E3**.

- ▶ Activate setting mode: press and hold the SuperFrost button Fig. 4 (14) for approximately 5 s.
- ▷ **5** is shown on the display.
- ▷ The Menu symbol Fig. 4 (19) lights up.
- ▶ Using the Freezer compartment Up button Fig. 4 (11) or Freezer compartment Down button Fig. 4 (12), select **E**.
- ▶ To confirm: briefly press the SuperFrost button Fig. 4 (14).
- ▶ To increase the water supply time: press the Freezer compartment Up button Fig. 4 (11).
- ▶ To decrease the water supply time: press the Freezer compartment Down button Fig. 4 (12).
- ▶ To confirm: press the SuperFrost button Fig. 4 (14).
- ▶ Deactivate setting mode: press the Freezer compartment On/Off button Fig. 4 (13).



-or-

- ▶ Wait 5 mins.
- ▷ The temperature is again displayed on the temperature display.

Switching off the IceMaker*

If ice cubes are not required, the IceMaker can be switched off independently of the freezer compartment.

When the IceMaker is switched off, the drawer of the IceMaker can also be used for freezing and storing food.

- ▶ Press the On/Off button for about 1 second until the LED goes out.
- ▷ The IceMaker symbol Fig. 4 (10) LED goes out.
- ▶ Clean the IceMaker.
- ▷ This ensures that no water or ice remains in the IceMaker.

6 Maintenance

6.1 Replacing the water filter*

When used as indicated, the water filter should be replaced at least every 6 months or whenever you notice a considerable decrease in the flow rate.

Your nearest dealer can be located by visiting us online at www.Liebherr.com.

The used water filter contains activated carbon and can be disposed of with normal household waste.

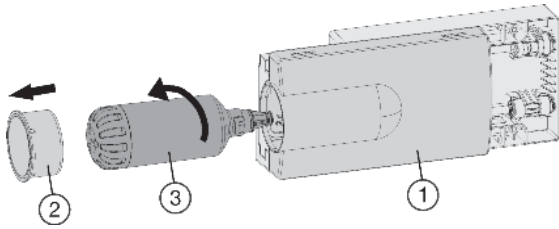


Fig. 49

To remove the old water filter:

- ▶ Pull out the tray Fig. 49 (1), if necessary.
- ▶ Remove the filter cover Fig. 49 (2).
- ▶ Turn the water filter Fig. 49 (3) approximately 100° counterclockwise and pull it out.
- ▶ Catch any dripping water with your hand, towel or with a dish.

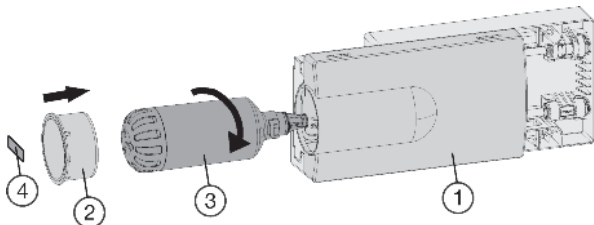


Fig. 50

To install a new water filter:

- ▶ Insert the water filter Fig. 50 (3) and turn it approximately 100° clockwise until it locks into position.
- ▶ Slide the tray Fig. 50 (1) in.
- ▶ Place the cover Fig. 50 (2) on the filter.
- ▶ Write the date of the next filter replacement on the supplied adhesive label Fig. 50 (4) and affix it to the module.

Note

New water filters may contain particulate matter.

- ▶ Do not consume or use ice cubes produced within 72 hours after replacing the filter.
- ▶ Remove any ice still present in the IceMaker tray. You can keep this ice in another tray for later use.

- ▶ Make sure the filter is leak-tight and no water is coming out.

6.2 Defrosting with NoFrost

The NoFrost system defrosts the appliance automatically.

Fridge compartment:

The defrosted water is evaporated by the heat of the compressor. Drops of water on the back wall are a functional feature and completely normal.

- ▶ Clean the drain opening regularly so that the defrosted water can flow away (see 6.3).

Freezer compartment:

The moisture condenses on the evaporator and is periodically defrosted and evaporated.

- ▶ The appliance does not need to be defrosted manually.

6.3 Cleaning the appliance



WARNING

Danger of electric shock.

- ▶ Unplug refrigerator or disconnect power.



WARNING

Risk of injury or damage due to hot steam.

Hot steam can cause scalding/burns and damage to surfaces.

- ▶ Do not use steam cleaners.

NOTICE

Incorrect cleaning damages the appliance.

- ▶ Do not use concentrated cleaning agents.
- ▶ Do not use steel wool or sponges that scour or scratch.
- ▶ Do not use caustic or abrasive cleaning materials or those containing sand, chloride, or acids.
- ▶ Do not use chemical solvents.
- ▶ Do not damage or remove the rating plate on the inside of the appliance. It is vital for the customer service department.
- ▶ Do not pull off, kink or damage any cables or other components.
- ▶ Do not let cleaning water get into the drain gutter, the ventilation grille and electrical parts.
- ▶ Use soft cleaning cloths and a multi-purpose cleaning agent with a neutral pH value.
- ▶ Only use food-compatible cleaning and care agents inside the appliance.

- ▶ Empty the appliance.

- ▶ Disconnect the power plug.



- ▶ Clean the **plastic surfaces, outside and inside**, by hand using lukewarm water and a little dish washing liquid.

Stainless steel which is exposed to chlorine gas or dampness may become discolored. This is normal. If your appliance is exposed to chlorine gas or dampness, clean and polish it more frequently. If there are any signs of rust or discoloration, clean and polish the appliance as soon as possible.

Do not apply stainless steel cleaning agents to glass or plastic surfaces so as not to scratch them. Initially darker areas and quite an intensive color of the stainless steel surfaces are normal.

Maintenance

NOTICE

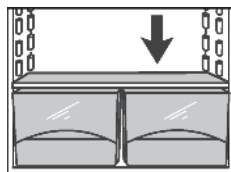
The stainless steel doors are treated with a high-grade surface coating and must not be cleaned with stainless steel cleaning agent.



This would damage the surface coating.

- ▶ Wipe the **coated door surfaces** and **painted side walls** with a soft, clean cloth only. If they are very dirty, use a little water or a neutral cleaner. A microfiber cloth can also be used.
- ▶ If the **stainless steel side walls** are dirty, clean them using a commercially available stainless steel cleaning agent. Then evenly apply the accompanying stainless steel care product, making strokes in the direction of the grain.

- ▶ To clean the **drain opening**: Remove deposits with a thin instrument, e.g. a cotton bud.



- ▶ Most of the **equipment parts** can be dismantled for cleaning: see the respective chapter.
- ▶ Clean **fittings** by hand using lukewarm water and a little dish washing liquid.
- ▶ Clean the **telescopic rails** with a damp cloth only. The grease in the tracks is for lubrication purposes and should not be removed.

After cleaning:

- ▶ Wipe the appliance and accessories dry.
- ▶ Connect the appliance and switch it on again.
- ▶ Switch on SuperFrost (see 5.8.4) .
When the temperature is sufficiently cold:
- ▶ put the food back in the appliance.

6.4 Cleaning the IceMaker*

The IceMaker drawer must be emptied and pushed in.

- ▶ Activate setting mode: press and hold the SuperFrost button *Fig. 4 (14)* for approximately 5 s.
- ▷ **5** is shown on the display.
- ▷ The Menu symbol *Fig. 4 (19)* lights up.
- ▶ Using the Freezer compartment Up button *Fig. 4 (11)*/ Freezer compartment Down button *Fig. 4 (12)*, select **1**.
- ▶ To confirm: press the SuperFrost button *Fig. 4 (14)*.
- ▶ Using the Freezer compartment Up button *Fig. 4 (11)*/ Freezer compartment Down button *Fig. 4 (12)*, select **1c**.
- ▶ To confirm: press the SuperFrost button *Fig. 4 (14)*.
- ▷ The IceMaker moves into cleaning position and shuts off.
- ▶ Deactivate setting mode: press the Freezer compartment On/Off button *Fig. 4 (13)*.



-or-

- ▶ Wait 2 min.

- ▷ The temperature is again displayed on the temperature display.
- ▶ Take out the drawer.
- ▶ Clean the ice compartment and drawer with warm water. If necessary, use a mild dishwashing liquid. Then rinse.
- ▶ Slide the drawer back in.
- ▶ Leave the IceMaker switched off in this position.

-or-

NOTICE

- Residual dishwashing liquid in the ice tray and drawer. Nausea or irritation of the mucous membrane.
- ▶ Eliminate any residual dishwashing liquid: Throw away the first three batches of ice cubes.

- ▶ Switching on the IceMaker (see 5.8.10) .

6.5 Customer service

First check whether you can remedy the fault yourself (see Troubleshooting). If this is not the case, please contact a qualified service provider.



WARNING

Risk of injury from repairs by non-professionals.

- ▶ Repairs and work on the appliance and the power supply cable not described in the Manual (see Maintenance) should only be carried out by a qualified service provider.

- ▶ Read the appliance designation

Fig. 51 (1), service no. *Fig. 51 (2)* and serial no. *Fig. 51 (3)* from the rating plate. The rating plate is located inside the appliance on the left-hand side.

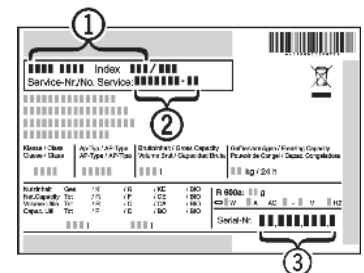


Fig. 51

- ▶ Notify a qualified service provider, specifying the fault, appliance designation *Fig. 51 (1)*, service no. *Fig. 51 (2)* and serial *Fig. 51 (3)* no.
- ▷ This will help us to provide you with a faster and more accurate service.
- ▶ Keep the appliance closed until the Customer Service engineer arrives.
- ▷ The food will stay cool longer.
- ▶ Disconnect the power plug (do not pull on the power cord to do this) or switch off the fuse.

6.6 Appliance Information

Make a note of this information when the appliance is installed:

Type Designation: _____

Service Number: _____
 Appliance / Serial Number: _____
 Date of purchase: _____
 Where purchased: _____


less occurs during operation, please determine if the malfunction is due to an operating error. If a service call determines operator error, you will be charged for the costs incurred, even during the warranty period. You may be able to rectify the following problems yourself:

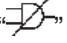

7 Troubleshooting.

Your appliance is designed and manufactured for reliable operation and a long lifespan. If a malfunction nonethe-


Problem	Possible Cause	Correction
The appliance does not work.	The appliance is not switched on.	▶ Switch on the appliance.
	The power plug is not properly inserted in the wall socket.	▶ Check the power plug.
	The fuse in the wall socket is not OK.	▶ Check the fuse.
	Power failure	▶ Keep the appliance closed. ▶ Protect the food: place dry ice on top of the food or use an alternate freezer, if the power failure persists for some time. ▶ Do not re-freeze defrosted food.
The compressor runs for a long time.	When less refrigeration is required, the speed-controlled compressor switches to a low speed. Although the running time is increased as a result, energy is saved.	▶ This is normal in energy-saving models.
	SuperFrost function is activated.	▶ The compressor runs long to rapidly freeze food. This is normal.
	SuperCool function is activated.	▶ The compressor runs long to rapidly cool food. This is normal.
A LED at the lower rear of the appliance (for the compressor) flashes regularly every 15 seconds*.	The inverter is equipped with a diagnostic LED.	▶ The flashing is normal.
Noises are too loud.	The different speed levels of speed-controlled* compressors can cause them to generate various noises during operation.	▶ These noises are normal.
A gurgling sound	This sound comes from the refrigerant flowing in the refrigeration circuit.	▶ The sound is normal.
A faint clicking sound	The sound always occurs when the refrigeration unit (the motor) automatically switches on or off.	▶ The sound is normal.
A hum. It is briefly a little	The refrigeration increases automatically when the SuperFrost function is	▶ The sound is normal.

Troubleshooting.

Problem	Possible Cause	Correction
louder when the refrigeration unit (the motor) switches on.	activated, fresh food has just been placed in the appliance or the door has been left open for a while.	
	The refrigeration increases automatically when the SuperCool function is activated, fresh food has just been placed in the appliance or the door has been left open for a while.	▶ The sound is normal.
	The ambient temperature is too high.	▶ Solution: (see 1.3)
A low hum	The sound occurs as a result of fan air flow.	▶ The sound is normal.
Vibration noise	The appliance is not standing firmly on the floor. As a result, adjoining units or objects are set into vibration by the running refrigeration unit.	▶ Align the appliance using the adjustable feet ▶ Move bottles and containers apart.
The temperature display indicates: F0 to F9.	There is a fault.	▶ Contact the customer service department (see Maintenance).
The temperature display reads: FE*	There is a fault.	▶ Contact the customer service department (see Maintenance).
The temperature display shows a flashing power failure symbol . The warmest temperature reached during the power failure is displayed in the temperature display.	The freezer temperature rose too high during the last hours or days due to power failure or power interruption. When the power interruption is over, the appliance will continue to operate at the last temperature setting.	▶ To delete the display of the warmest temperature: Press the Alarm button <i>Fig. 4 (15)</i> . ▶ Check the quality of the food. Do not consume spoiled food. Do not re-freeze defrosted food.
DEMO lights up in the temperature display.	The demo mode is activated.	▶ Contact the customer service department (see Maintenance).
The outside surfaces of the appliance are hot*.	The heat of the refrigerant circuit is used to prevent condensate from forming.	▶ This is normal.
The IceMaker cannot be switched on.*	The appliance and therefore the IceMaker are not connected.	▶ Connect the appliance (see Start-up).
The IceMaker is not making ice cubes.*	The IceMaker is not switched on.	▶ Switch the IceMaker on.
	The drawer of the IceMaker is not properly closed.	▶ Close the drawer properly.

Problem	Possible Cause	Correction
	The water connection is not open.	▶ Open the water connection.
	The water supply to the IceMaker was interrupted.	▶ Check the connection to the water supply (see Start-up).* ▶ Check the pipes and hoses (see Start-up).*
	There is a blocked filter at the end of the water supply hose or at the connecting part on the machine.	▶ Clean the filters.
	The waterline was not bled of all air during installation	▶ Please contact your qualified installation plumber to ensure the above criteria is met before calling for service.
The temperature is not cold enough.	The door of the appliance is not closed properly.	▶ Close the appliance door.
	Insufficient ventilation.	▶ Clear and clean the ventilation grille.
	The ambient temperature is too high.	▶ Solution: (see 1.3)
	The appliance was opened too frequently or for too long.	▶ Wait to see whether the required temperature resets itself by itself. If not, contact the customer service department (see Maintenance).
	Too much fresh food was placed inside without SuperFrost.	▶ Solution: (see 5.8.4)
	The temperature is incorrectly set.	▶ Set to a colder temperature and check after 24 hours
	The appliance is too near to a heat source (stove, heater etc).	▶ Change location of appliance or the heat source.
Display show two dashes (“-”).	The freezer temperature display will only show temperatures that are below freezing.	▶ When initially starting the appliance it will not be below freezing. It will take three to five hours (depending on ambient conditions) for freezing temperatures to be achieved and thus displayed numerically.
	The freezer temperature has risen above zero degrees due to a power failure or power interruption.	▶ See also “Power failure” and 
The interior light does not turn on.	The appliance is not switched on.	▶ Switch on the appliance.
	The door was open for longer than 15 minutes.	▶ The interior light automatically switches itself off if the door has been open for about 15 minutes.
	The LED interior light is faulty or the cover is damaged	 WARNING Risk of injury from electrical shock. Live parts are under the cover. ▶ The LED interior light should only be replaced or repaired by the Customer Service department or by engineers trained to do so.

Putting appliance out of service

Problem	Possible Cause	Correction
		 WARNING Risk of injury from LED lamp! The lighting intensity of the LED light complies with laser class 1/1M. If the cover is faulty: ► Do not gaze directly at this lighting unit with optical lenses while very close to the light source. This can cause damage to your eyes.

8 Putting appliance out of service

8.1 Vacation Tips

Short vacations: If you will be away for less than four weeks

- Use all perishables.
- Freeze other items.
- Turn off the refrigerator compartment.
- Turn off the icemaker.*
- Shut down the water supply to the icemaker.*

Long vacations: If you will be away for a month or more

- Remove all food from the appliance.
- Turn OFF the appliance.
- Clean the appliance (see 6.3) .
- Leave the door open to prevent unpleasant odors.
- ▷ This will also keep mold from building up.
- Turn off the icemaker.*
- Shut off the water supply to the icemaker.*

8.2 Switching off the appliance

Note

- To switch off the entire appliance, only the freezer compartment needs to be switched off.

8.2.1 Switching off the freezer compartment

- Press and hold down the freezer compartment On/Off button *Fig. 4 (13)* for approx. 2 seconds.
- ▷ The temperature displays are dark. The appliance is switched off.



8.2.2 Switching off the fridge compartment

- Press and hold down the chiller compartment On/Off button *Fig. 4 (3)* for approx. 2 seconds.
- ▷ The fridge compartment temperature display *Fig. 4 (8)* is dark. The fridge compartment is switched off.

8.3 Decommissioning *

- Empty the appliance.
- Put the IceMaker in the cleaning position (see Maintenance).
- Switch off the appliance (see Putting appliance out of service).
- Pull out the power plug.
- Clean the appliance (see 6.3) .



- Leave the door open to prevent bad smells.

9 Disposing of the appliance

Follow the local regulations for the disposal of appliances. Old appliances can be dangerous. Contact the local refuse collection department for additional information.



DANGER

- There is a risk of suffocation.
 Children playing can shut themselves in and suffocate.
- Take the door(s) off.
 - Remove the drawers.
 - Leave the storage shelves in the appliance so that children cannot easily climb into the appliance.



WARNING

- Danger of electric shock.
- Cut off the plug from the power cord and discard.
 - Cut off the power cord from the discarded appliance. Dispose of separately from the appliance.

Ensure during and after disposal that the appliance isn't stored in the vicinity of gasoline or other flammable vapors and liquids.

When disposing of the appliance, ensure that the refrigeration circuit is not damaged to prevent uncontrolled escape of the refrigerant it contains (data on type plate) and oil.

10 Liebherr Warranty Plan

FULL TWO YEAR WARRANTY - For two years from the date of original purchase, your Liebherr warranty covers all parts and labor to repair or replace any part of the product which proves to be defective in materials or workmanship.

FULL FIVE YEAR WARRANTY - For five years from the date of original purchase, your Liebherr warranty covers all parts and labor to repair or replace any components that prove to be defective in materials or workmanship in the sealed system. The "Sealed System" means only the compressor, condenser, evaporator, drier and all connecting tubing.

LIMITED 6TH THROUGH 12TH YEAR WARRANTY - From the 6th through 12th year from the date of original purchase, your Liebherr warranty covers all parts that prove to be defective in materials or workmanship in the Sealed System (parts only).

TERMS APPLICABLE TO EACH WARRANTY

All service provided by Liebherr under the warranty must be performed by authorized Liebherr service representatives, unless otherwise specified by Liebherr. Service will be provided in the home during normal business hours. This warranty applies only to products installed for normal residential use. Details regarding a non-residential warranty are available on request.

The warranty applies only to products installed in any one of the fifty states of the United States or the District of Columbia. The warranty does not cover any parts or labor to correct any defect caused by negligence, accident or improper use, maintenance, installation, service or repair, including but not limited to improper removal and reinstallation of the condensing unit.

THE WARRANTIES DESCRIBED ABOVE ARE MADE EXPRESSLY IN LIEU OF ANY OTHER WARRANTIES, EXPRESSED OR IMPLIED, INCLUDING ANY IMPLIED WARRANTY OF MERCHANTABILITY OR FITNESS FOR A PARTICULAR PURPOSE, AND OF ANY OTHER OBLIGATION OR LIABILITY ON THE PART OF LIEBHERR. IN NO EVENT SHALL LIEBHERR BE LIABLE FOR SPECIAL, INCIDENTAL OR CONSEQUENTIAL DAMAGES ARISING FROM THE BREACH OF THESE WARRANTIES OR ANY OTHER WARRANTIES, WHETHER EXPRESS, IMPLIED OR STATUTORY.

Some states do not allow the exclusion or limitation of incidental or consequential damages so the above limitation or exclusion may not apply to you. This warranty gives you specific legal rights and you may also have other legal rights which vary from state to state.

To receive parts and/or service and the name of the Liebherr authorized service representative nearest you, contact your Liebherr dealer or distributor or contact the Liebherr designated national service provider:

in the US: Service-appliances.us@liebherr.com or call 1-866-LIEBHER (1-866-543-2437).

in Canada: www.euro-parts.ca or call 1-888-LIEBHER (1-888-543-2437).

For Service in the U.S.:

Liebherr Service Center

Toll Free: 1-866-LIEBHER or 1-866-543-2437

Service-appliances.us@liebherr.com
PlusOne Solutions, Inc.
3501 Quadrangle Blvd, Suite 120
Orlando, FL 32817

For Service in Canada:

Liebherr Service Center

Toll Free: 1-888-LIEBHER or 1-888-543-2437

www.euro-parts.ca
EURO-PARTS CANADA
39822 Belgrave Road
Belgrave, Ontario, N0G 1E0
Phone: (519) 357-3320
Fax: (519) 357-1326



www.liebherr-appliances.com