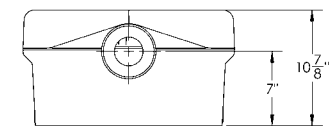
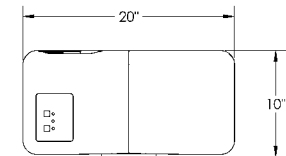
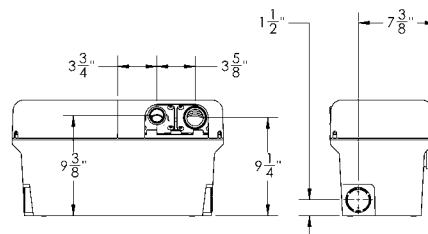
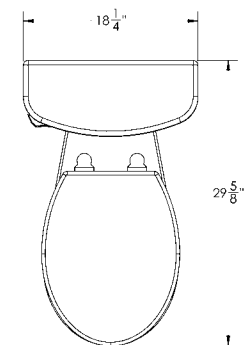
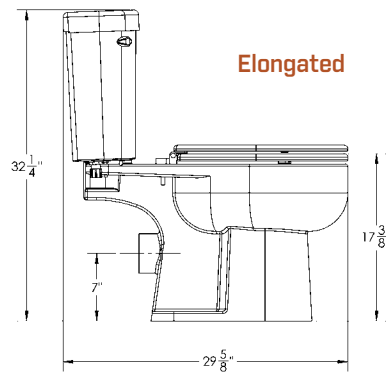
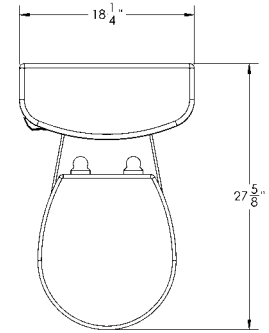
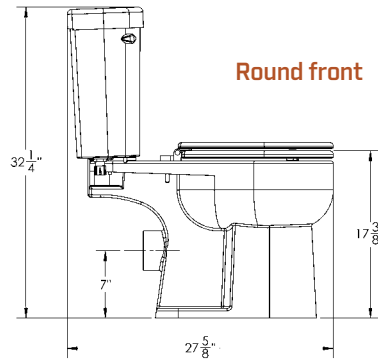


Dimensional Data



| MODEL | DESCRIPTION | WEIGHT |
|--------------|---|---------|
| ASCENTII-ESW | Complete system: macerator and elongated toilet - white | 121 lbs |
| ASCENTII-RSW | Complete system: macerator and round front toilet - white | 115 lbs |
| ASCENTII-MUW | Macerator unit only | 22 lbs |
| ASCENTII-TW | Toilet tank and lid, insulated with flush valve kit - white | 34 lbs |
| ASCENTII-EW | Toilet bowl, elongated - white (bowl only) | 49 lbs |
| ASCENTII-RW | Toilet bowl, round front - white (bowl only) | 45 lbs |
| K001184 | Extension pipe, 4" x 18" with integral seal and trim ring | 3 lbs |