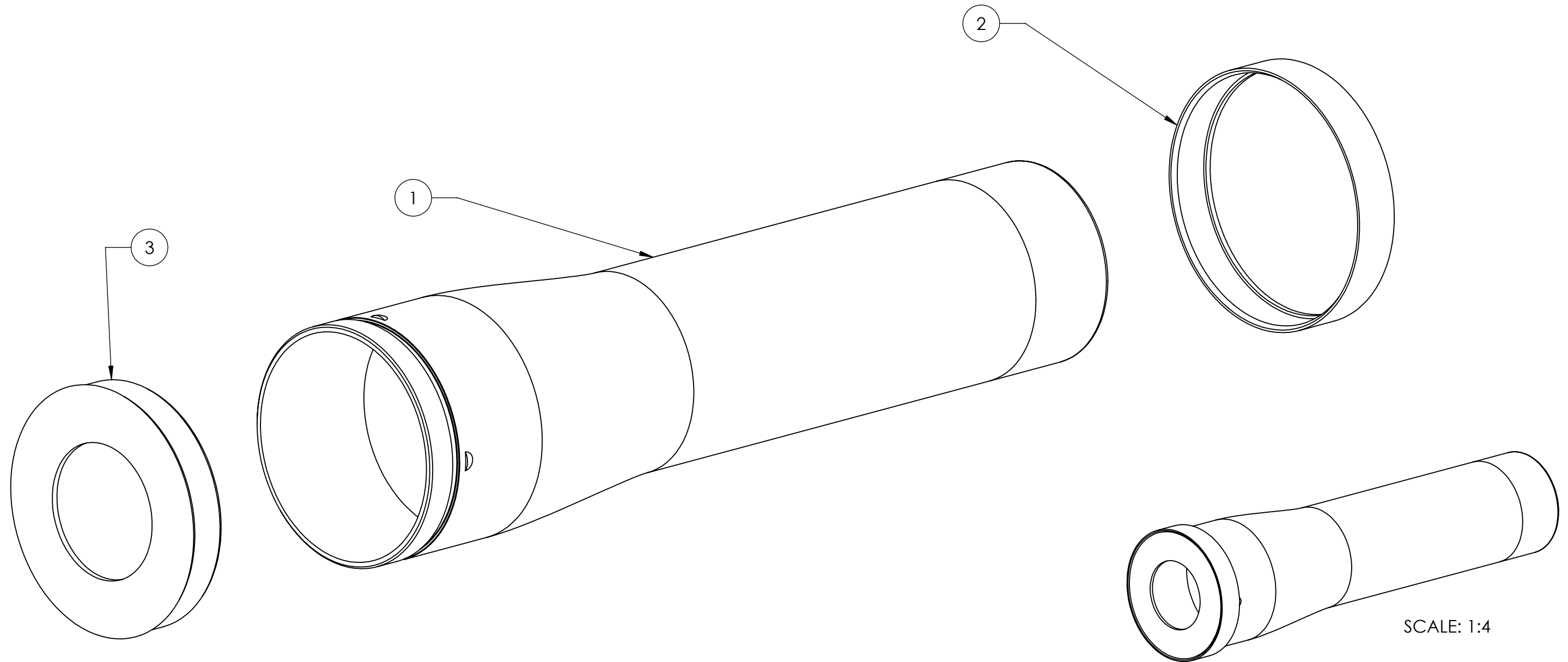


ITEM NO.	PART NUMBER	DESCRIPTION	QTY.
1	6770E20	EXTENSION PIPE BODY, MOLDED	1
2	6692000	RETAINING RING	1
3	6691000	RUBBER BUNG, TOILET DISCHARGE	1



SCALE: 1:4

NEW PART, MOLDED PIPE	A	47619	12/28/12	CJP
description of change	rev	project	date	initials

**Liberty
Pumps**

7000 APPLE TREE AVENUE
BERGEN, N.Y. 14416
(585) 494-1817

drn by C. PETERSON	tol: xx+/- .02"
	xxx+/- .005"
date 12/28/12	angles +/- 2°
scale 1:2	unless otherwise noted
title EXTENSION PIPE ASSEMBLY	
part no. 6126E20	
drawing no. 6126E20	sheet number sheet size 1 of 1 B