

TECHNICAL DATA

LIBERTY HARDWARE®

MANUFACTURING CORPORATION

A Masco Company

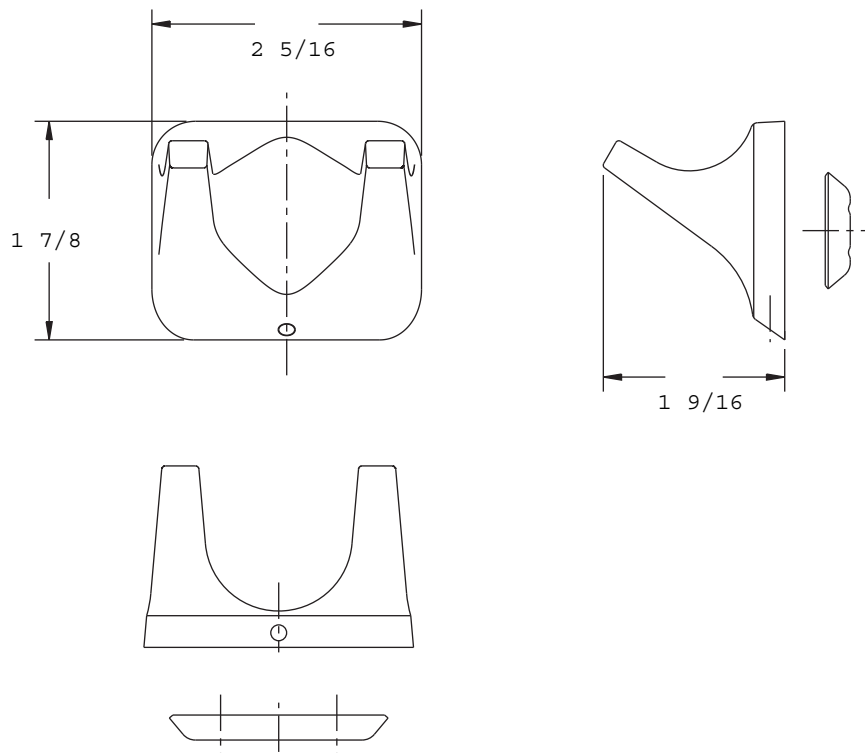
140 Business Park Drive • Winston-Salem, NC 27107

800.542.3789 • T 336.769.4077 • F 336.769.1839

www.libertyhardware.com

FUTURA®

Robe Hook



MATERIALS: Post - Zinc Die Cast
Wall Plate - Steel; 20 Gage; Zinc Plated

INSTALLATION: Mount wall plate with 2 #8 x 1-1/4" round head zinc plated steel screws and plastic anchors provided. Slip robe hook post over the wall plate and tighten set screw until secure.

**OPTIONAL
FASTENER**

INFORMATION: Wood blocking is preferable behind all wall surfaces. If wood blocking is not available, the following fasteners are suggested:
Tile/Masonry - Plastic or Lead Anchors;
Plaster/Drywall - Toggle Bolts.

SPECIFICATION: Surface mounted robe hook shall be model _____
(fill in model number) by Liberty Hardware Manufacturing Corporation.