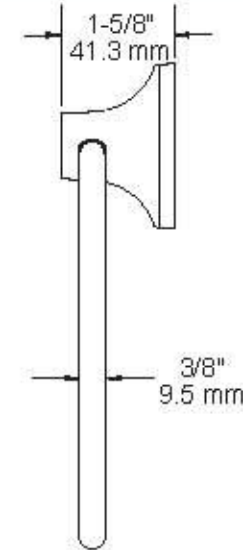
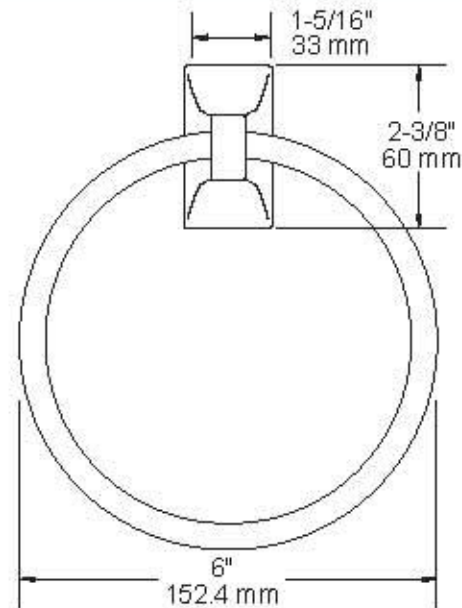


## TECHNICAL DATA

*Ventura*<sup>™</sup>

TOWEL RING



**MATERIALS:**

Post - Zinc Die Cast  
Ring - Aluminum  
Wall Plate - Steel, Zinc Plated

**INSTALLATION:**

Mount wall plate bracket(s) per installation instructions with supplied fasteners. Slip product over wall plate(s) and tighten set screws until secure.

**OPTIONAL FASTENER INFORMATION:**

Wood blocking is preferable behind all wall surfaces. If wood blocking is not available, the following fasteners are suggested: Tile/Masonry - Plastic or Lead Anchors, Plaster/Drywall - Toggle Bolts.

**SPECIFICATION:**

Surface mounted towel ring shall be model \_\_\_\_\_  
(fill in model number) by Liberty Hardware Manufacturing Corporation.